

EDCON-COMPONENTS



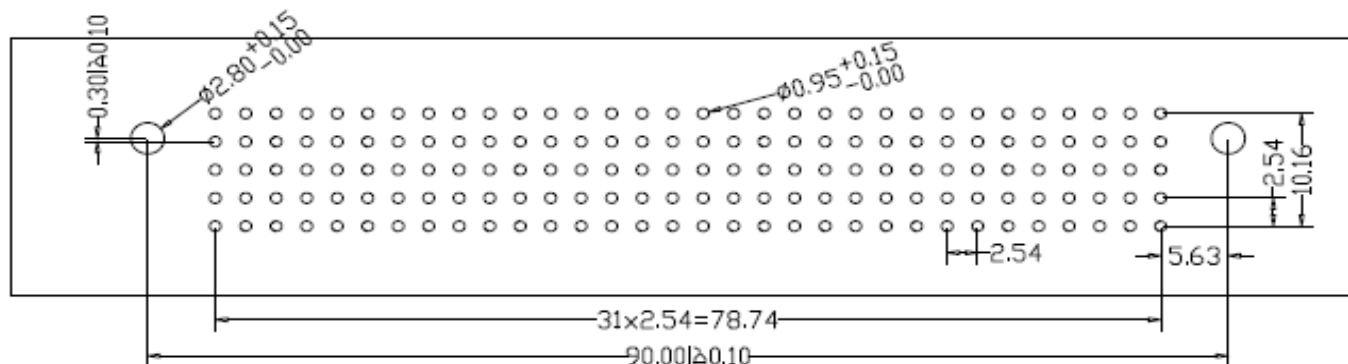
Specifications

Current Rating: 2,0A
 Operating Temperature: -55°C ~ +105°C
 Contact Resistance: 20 M Ω max.
 Withstanding Voltage: AC 1000V for 1 Minute
 Insulation Resistance: 100000M Ω min at DC100V

 Contact Material: Brass
 Contact Plating: Au or Sn over Ni
 Insulator Material: PBT +30%GF UL 94V-0
 Insertion Force: 160Pin max. 150N
 Withdrawal Force: 0,15N min per individ. Contact

Drawing (dimensions all into mm)

PCB Layout

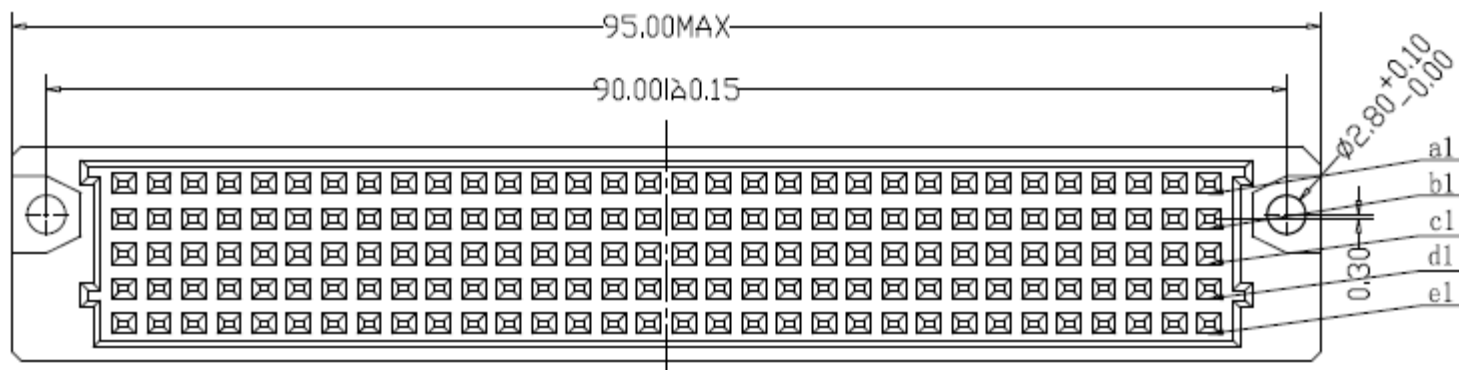
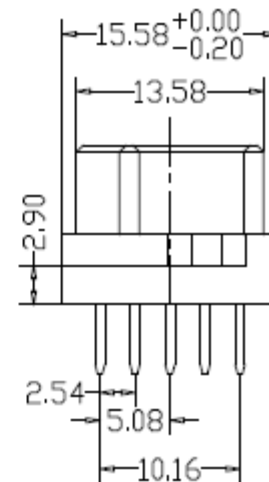
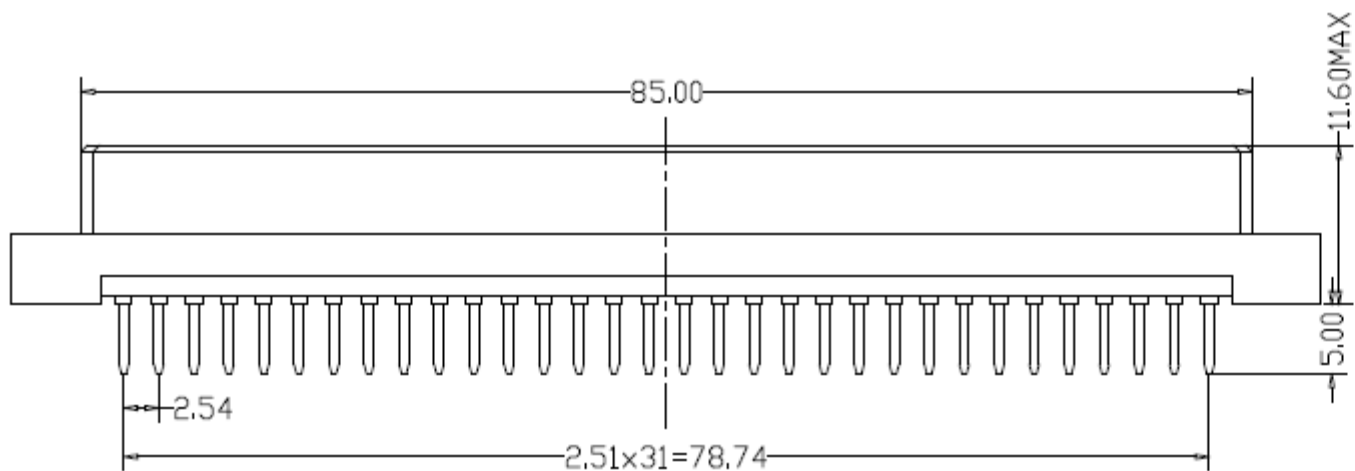


**DIN41612 Connector Full-Size
Type E Female STRAIGHT
160Pos**

Part No.: **T21114-**

| | | | | | | | | | | |
|-------|--------|------|--------|--------|--------|-----------|-----------|----------|------------|-----------|
| DRW: | Jason | CHKD | Wilson | MATL: | Wilson | TOLERANCE | Mason | DATE | 18.02.2017 | Customer: |
| APPD: | Schumi | | | FINISH | Jamy | | Sheet No. | 1 from 4 | | |

EDCON-COMPONENTS



**DIN41612 Connector Full-Size
Type E Female STRAIGHT
160Pos**

Part No.: **T21114-**

Customer:

| | | | | | | | | | |
|-------|--------|------|--------|--------|--------|-----------|-----------|----------|------------|
| DRW: | Jason | CHKD | Wilson | MATL: | Wilson | TOLERANCE | Mason | DATE | 18.02.2017 |
| APPD: | Schumi | | | FINISH | Jamy | | Sheet No. | 2 from 4 | |

www.edcon-components.com

email: info@edcon-components.com

EDCON-COMPONENTS



Ordering Informations

| Serie | Loaded Contacts | Termination Specification | Row Loaded Contacts | Contact Plating | Special function | Special function | ROHS | Packing | | |
|----------------|-----------------|---------------------------|---------------------|-----------------|------------------|------------------|----------|-----------|--|--|
| T21114- | 160 | A1 | J0 | S0 | N | N | R | TY | | |

| | | | | | | | | | |
|-------------------|----------------------------|--|-----------------------------------|-----------------------------|----------------------|------------------------|-------------------------------|--|--|
| 160 = Pos. | | | G0= Gold Flash | N= No Special | N= No Special | R= ROHS Conform | BU= Bulk Packing | | |
| | | | S0= Selectiv Gold Flash/Ni | | | N= NON ROHS | TY= Tray Packing | | |
| | A3=Tail IH=5,0mm | | G1= 3µ AU Gold | | | | IV= Individual Packing | | |
| | | | G2= 5µ AU Gold | | | | | | |
| | | | G3= 10µ AU Gold | | | | | | |
| | | | G4= 15µ AU Gold | | | | | | |
| | | | G5= 30µ AU Gold | | | | | | |
| | | | S1= 3µ AU Gold / Ni | S4= 15µ AU Gold / Ni | | | | | |
| | | | S2= 5µ AU Gold / Ni | S5= 30µ AU Gold / Ni | | | | | |
| | J0= Row A+B+C+D+E | | S3= 10µ AU Gold / Ni | TN= Tin Plated | | | | | |

**DIN41612 Connector Full-Size
Type E Female STRAIGHT
160Pos**

Part No.: **T21114-**

Unless Otherwise specified tolerance

| | | | |
|-----------------|-------------------|--------------------|---------------------|
| X=± 0,35 | X.X=± 0,25 | X.XX=± 0,20 | X.XXX=± 0,15 |
|-----------------|-------------------|--------------------|---------------------|

| | | | | | | | | | | |
|-------|--------|------|--------|--------|--------|-----------|-----------|------|------------|-----------|
| DRW: | Jason | CHKD | Wilson | MATL: | Wilson | TOLERANCE | Mason | DATE | 18.02.2017 | Customer: |
| APPD: | Schumi | | | FINISH | Jamy | | Sheet No. | | 3 from 4 | |

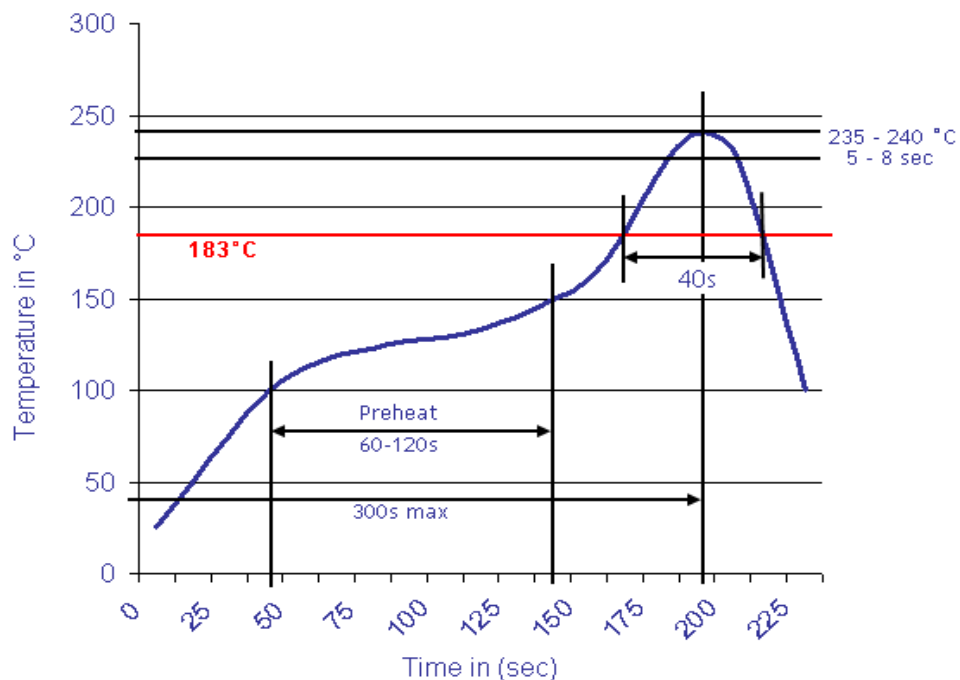
www.edcon-components.com

email: info@edcon-components.com

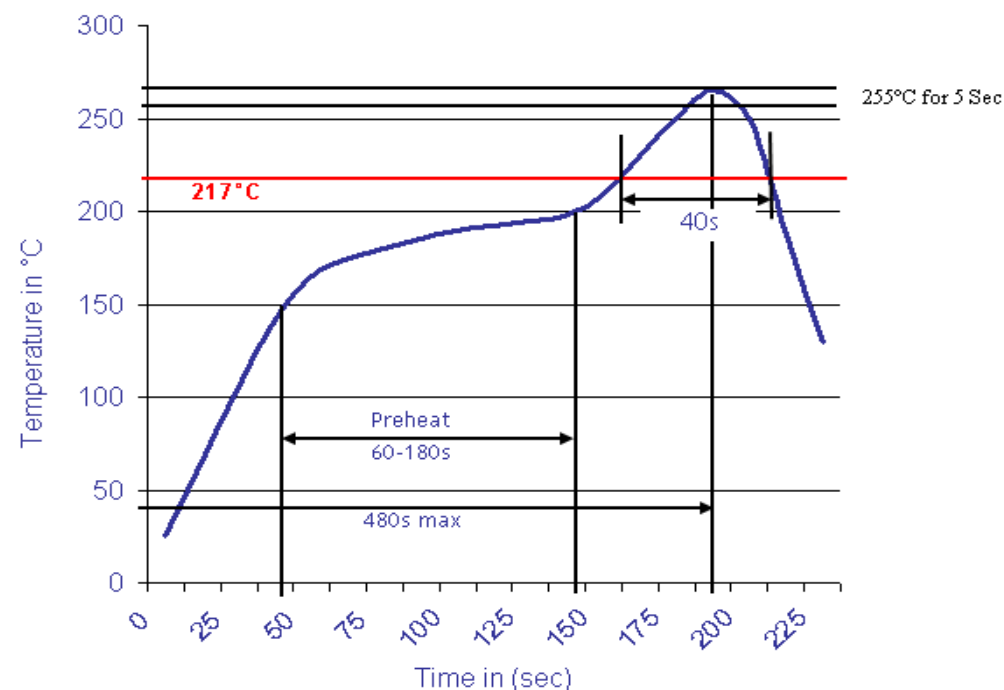


Soldering Informations

Classification Reflow Profile (JEDEC J-STD-020C)



Classification Reflow Profile (JEDEC J-STD-020C)



**DIN41612 Connector Full-Size
Type E Female STRAIGHT
160Pos**

Part No.: **T21114-**

| | | | | | | | | | |
|-------|--------|------|--------|--------|--------|-----------|-----------|----------|------------|
| DRW: | Jason | CHKD | Wilson | MATL: | Wilson | TOLERANCE | Mason | DATE | 18.02.2017 |
| APPD: | Schumi | | | FINISH | Jamy | | Sheet No. | 4 from 4 | Customer: |