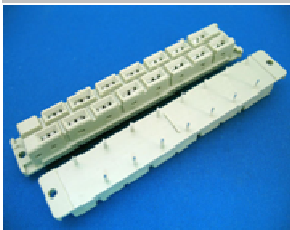


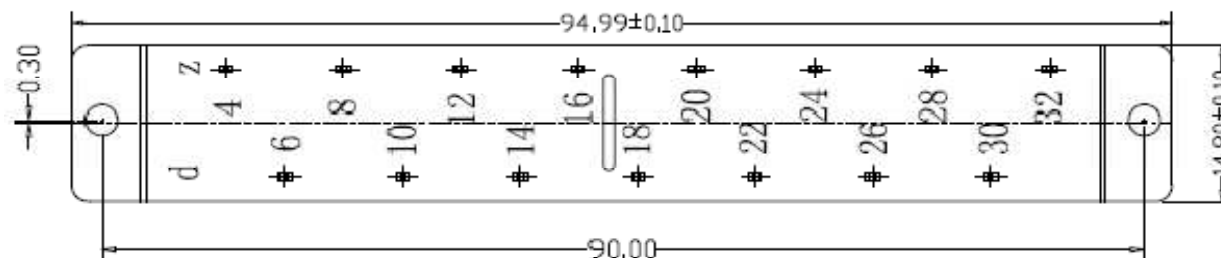
# EDCON-COMPONENTS



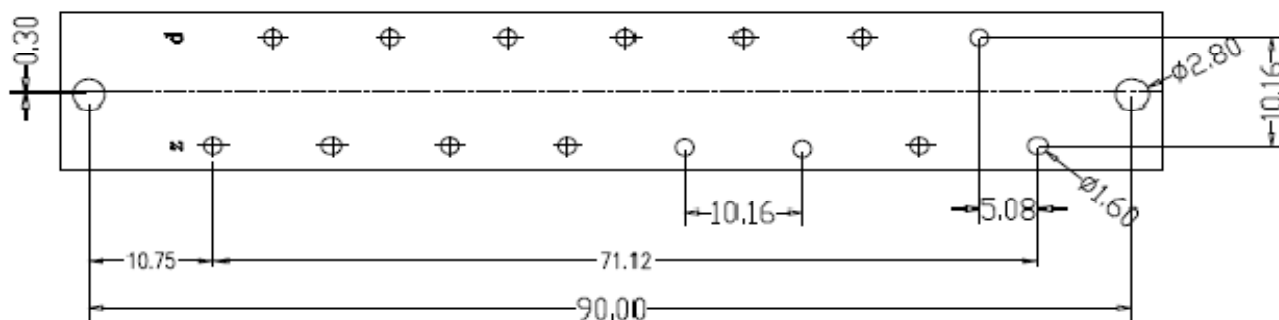
## Specifications

**Current Rating:** 15A  
**Operating Temperature:** -55°C ~ +105°C  
**Contact Resistance:** 8M Ω max.  
**Withstanding Voltage:** AC 3100V for 1 Minute  
**Insulation Resistance:** 100000M Ω min at DC500V  
  
**Contact Material:** Brass  
**Contact Plating:** Au or Sn over Ni  
**Insulator Material:** PBT +30%GF UL 94V-0  
**Insertion Force:** 90N max.  
**Withdrawal Force:** 0,2N min per individual contact

## Drawing ( dimensions all into mm)



## PCB Layout

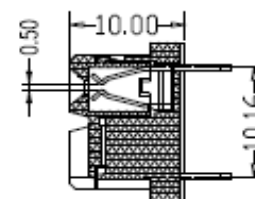
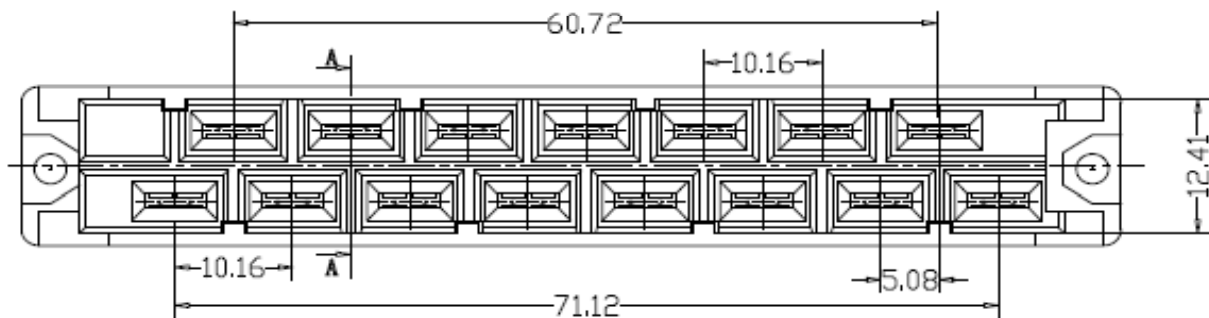
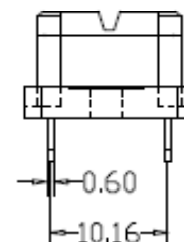
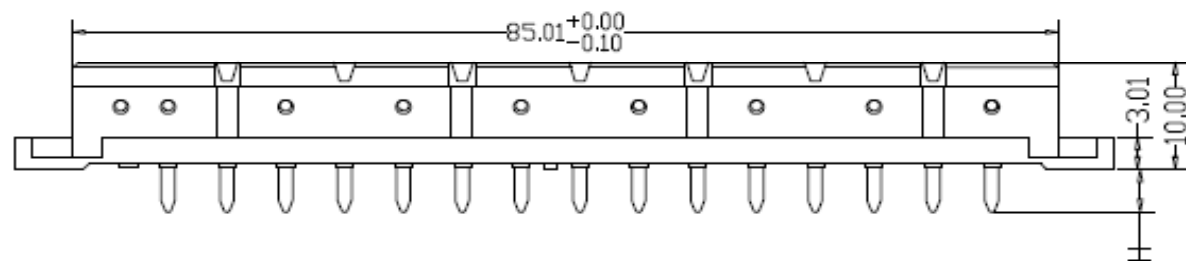
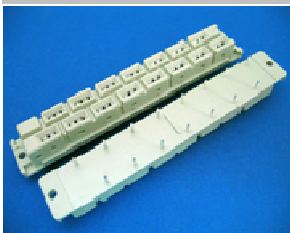


**DIN41612 High Power  
 Connector Full Size Female  
 STRAIGHT Type H 15Pos**  
 Part No.: **T21050-**

DRW:	Jason	CHKD	Wilson	MATL:	Wilson	TOLERANCE	Mason	DATE	06.11.2021
APPD:	Schumi			FINISH	Jamy		Sheet No.	1 from 4	

Customer:

# EDCON-COMPONENTS



**DIN41612 High Power  
Connector Full Size Female  
STRAIGHT Type H 15Pos**

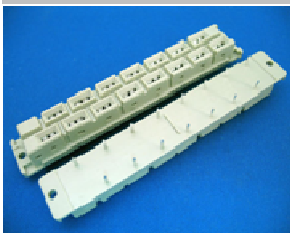
Part No.: **T21050-**

DRW:	Jason	CHKD	Wilson	MATL:	Wilson	TOLERANCE	Mason	DATE	06.11.2021
APPD:	Schumi			FINISH	Jamy		Sheet No.	2 from 4	Customer:

[www.edcon-components.com](http://www.edcon-components.com)

email: [info@edcon-components.com](mailto:info@edcon-components.com)

# EDCON-COMPONENTS



## Ordering Informations

Serie	Loaded Contacts	Termination Specification	Row Loaded Contacts	Contact Plating	Special function	Special function	ROHS	Packing		
-------	-----------------	---------------------------	---------------------	-----------------	------------------	------------------	------	---------	--	--

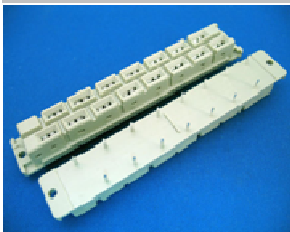
<b>T21050-</b>	<b>15</b>	<b>A1</b>	<b>D0</b>	<b>S0</b>	<b>N</b>	<b>N</b>	<b>R</b>	<b>TY</b>		
----------------	-----------	-----------	-----------	-----------	----------	----------	----------	-----------	--	--

<b>15 = Pos.</b>	<b>A1=Solder</b> H=4,0mm	<b>D0= Row</b> d + z	<b>G0= Gold</b> Flash	<b>N= No</b> Special	<b>N= No</b> Special	<b>R= ROHS</b> Conform	<b>BU= Bulk</b> Packing		
	<b>A2=Solder</b> H=10,0mm		<b>S0= Selectiv</b> Gold Flash/Ni			<b>N= NON</b> ROHS	<b>TY= Tray</b> Packing		
			<b>G1= 3µ AU</b> Gold				<b>IV=</b> Individual Packing		
			<b>G2= 5µ AU</b> Gold						
	<b>A5=Wrap</b> H=13mm		<b>G3= 10µ AU</b> Gold						
	<b>A6=Wrap</b> H=17mm		<b>G4= 15µ AU</b> Gold						
			<b>G5= 30µ AU</b> Gold						
			<b>S1= 3µ AU</b> Gold / Ni	<b>S4= 15µ AU</b> Gold / Ni					
			<b>S2= 5µ AU</b> Gold / Ni	<b>S5= 30µ AU</b> Gold / Ni					
			<b>S3= 10µ AU</b> Gold / Ni	<b>TN= Tin</b> Plated					

<b>DIN41612 High Power</b> <b>Connector Full Size Female</b> <b>STRAIGHT Type H 15Pos</b>
Part No.: <b>T21050-</b>
Customer:

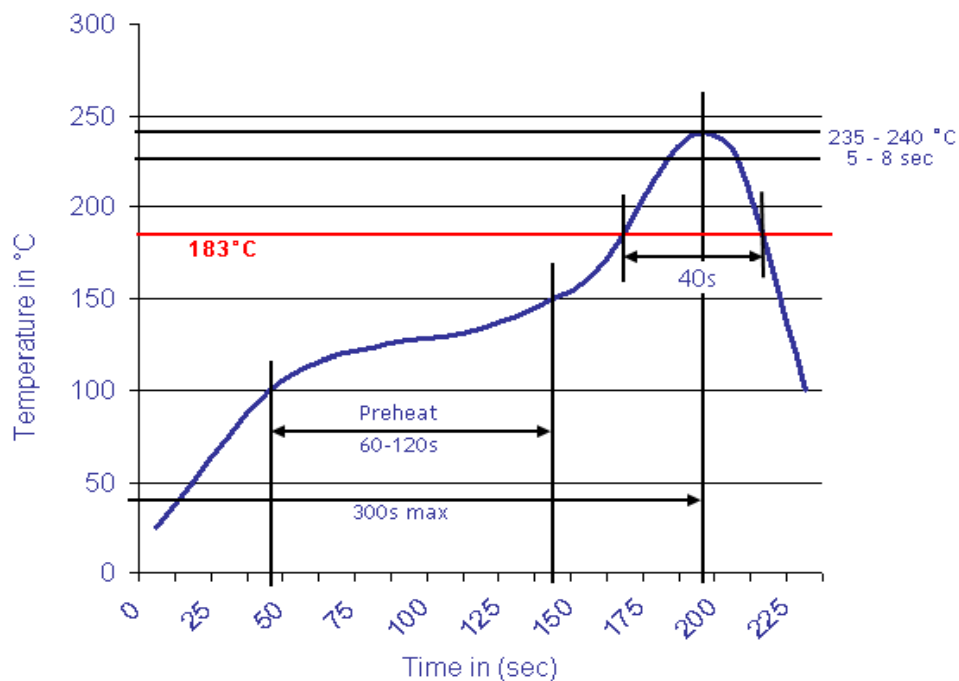
### Unless Otherwise specified tolerance

<b>X=± 0,35</b>	<b>X.X=± 0,25</b>	<b>X.XX=± 0,20</b>	<b>X.XXX=± 0,15</b>						
DRW: Jason	CHKD: Wilson	MATL: Wilson	TOLERANCE: Mason	DATE: 06.11.2021					
APPD: Schumi		FINISH: Jamy		Sheet No.:	3 from 4				

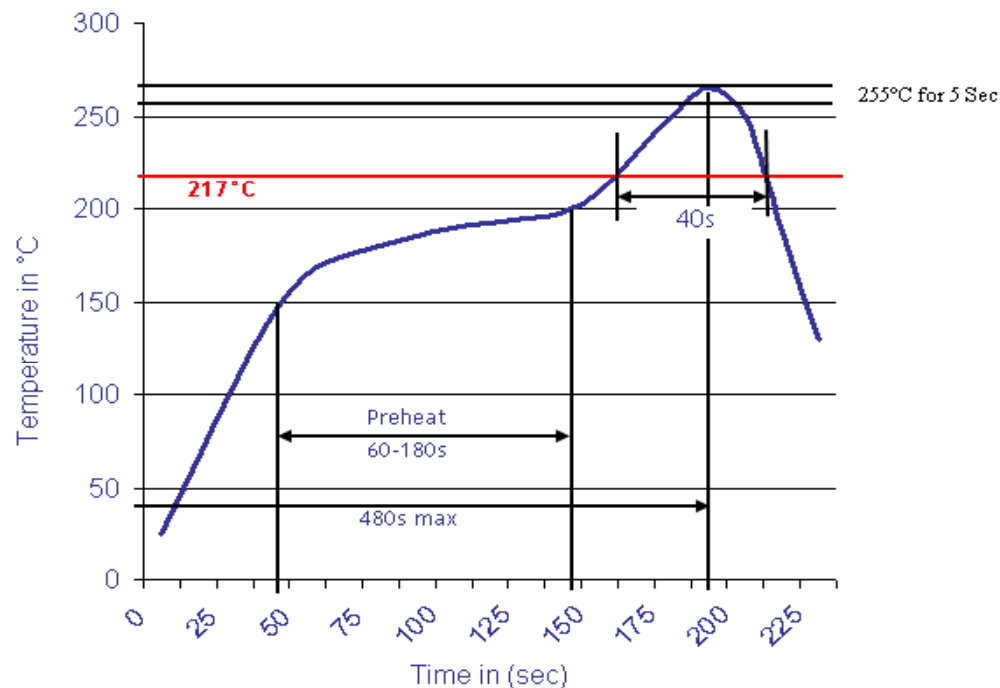


Soldering Informations

Classification Reflow Profile (JEDEC J-STD-020C)



Classification Reflow Profile (JEDEC J-STD-020C)



**DIN41612 High Power  
Connector Full Size Female  
STRAIGHT Type H 15Pos**

Part No.: **T21050-**

DRW:	Jason	CHKD	Wilson	MATL:	Wilson	TOLERANCE	Mason	DATE	06.11.2021
APPD:	Schumi			FINISH	Jamy		Sheet No.	4 from 4	Customer: