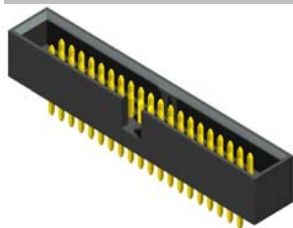


EDCON-COMPONENTS

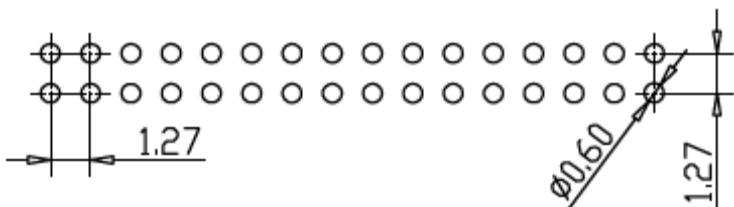


Specifications

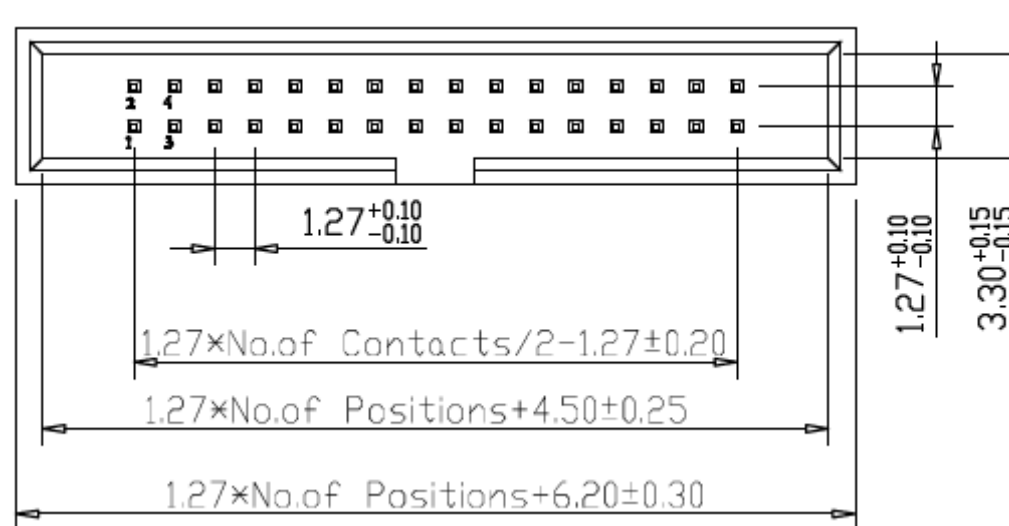
Current Rating: 1,0A
 Insulation Resistance: 1000M Ohm min.
 Contact Resistance: 20milli Ohm max.
 Dielectric Voltage: 500V AC for one minute
 Operating Temperature: -40°C ~ to +105°C
 Insulator Material: PA6T+30% G.F.(UL94V-0)

Contact Pin: Brass
 Contact Plating: Gold Flash all over

PCB Layout



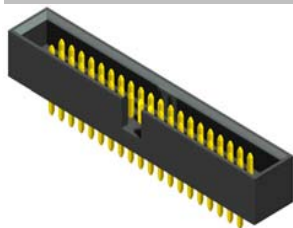
Drawing



Box Header Pitch	
1,27x1,27mm	
Part No.:	T16C019-
Customer:	

DRW:	Jason	CHKD	Wilson	MATL:	Wilson	TOLERANCE	Mason	DATE	26.08.2017
APPD:	Schumi			FINISH	Jamy		Sheet No.	1 from 4	

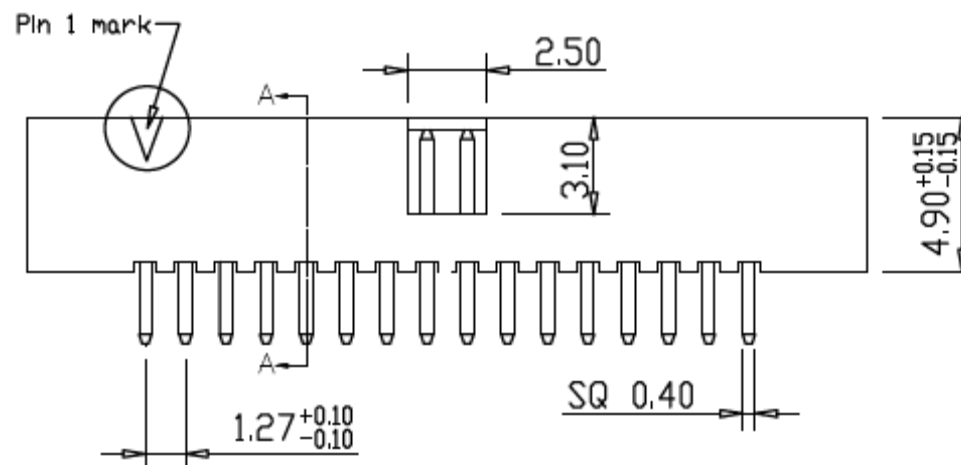
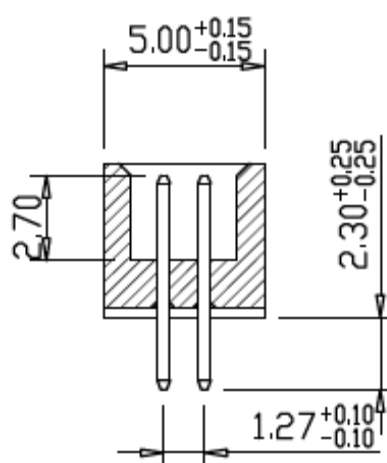
EDCON-COMPONENTS



Pin Code length table free configuration

Drawing

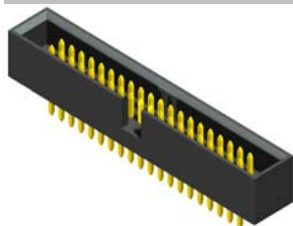
Pin Code	Dimension (mm)		
A01	2,3		
A02	x,x		
A03			
A04			
A05			
A06			
A07			
A08			
A09			
A10			
A11			
A12			
A13			
A14			
A15			
A16			
A17			
A18			
A19			
A20			
A21			
A22			
A23			



Box Header Pitch 1,27x1,27mm	
Part No.:	T16C019-
Customer:	

DRW:	Jason	CHKD	Wilson	MATL:	Wilson	TOLERANCE	Mason	DATE	26.08.2017
APPD:	Schumi			FINISH	Jamy		Sheet No.	2 from 4	

EDCON-COMPONENTS



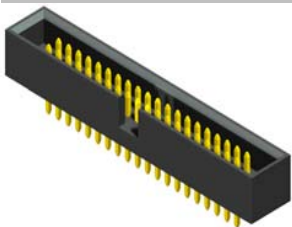
Ordering Informations

Serie	No. of Pos.	Contact Plating	Color of Body	Material	Special Function	Pin Length Code	ROHS	Packing		
T16C019-	XX	G0	BK	PA	N	A01	R	BU		

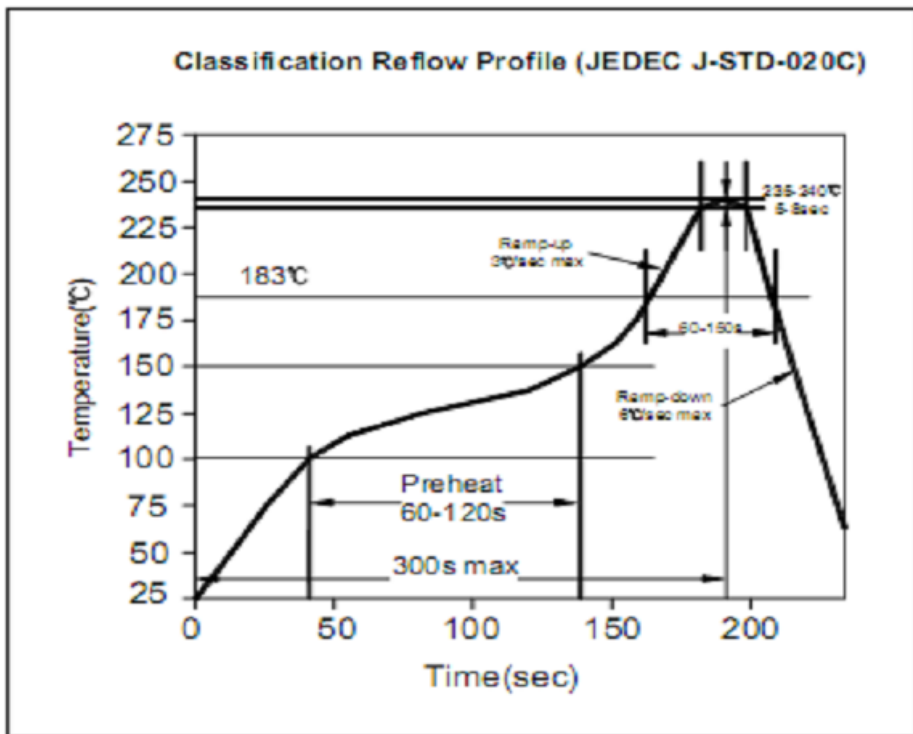
XX= 06, 08 10,14,16,20, 24,26,30,32, 34,40,44,50, 60,64,80,100	G0= Gold Flash	BK= Black	PA= PA6T +30% GF f. ROHS	N= No special function	A01= Dimension like Pin Length Code	N= NO ROHS conform	BU= Bulk Ware
	T0= Tin plated	BL= Blue					TU= Tube Packing
	GA= 3µ Gold Plating	WH= White	LC= LCP			R= ROHS conform	TY= Tray Packing
	GB= 5µ Gold Plating						
	GC= 10µ Gold Plating						
	GD= 30µ Gold Plating						
	S0= Selectiv Plating Gold Flash / Tin						
	SD= Selectiv Tin/ 5µGold						
SD= Selectiv Tin/ 10µ Gold Flash							
SD= Selectiv Tin/ 20µ Gold	SD= Selectiv Tin/ 30µ Gold						

Box Header Pitch 1,27x1,27mm
Part No.: T16C019-
Customer:

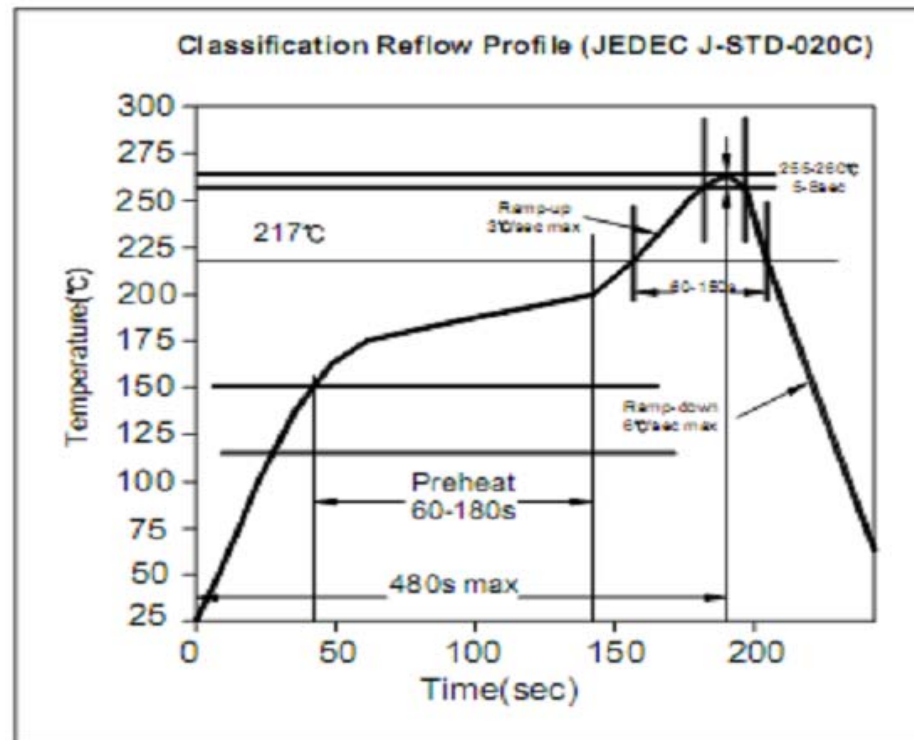
DRW: Jason	CHKD: Wilson	MATL: Wilson	TOLERANCE: Mason	DATE: 26.08.2017
APPD: Schumi	FINISH: Jamy	Sheet No.:	3 from 4	



Soldering Profile for Lead Soldering (P.B.T.)



Soldering Profile for Lead Free Soldering (Nylon 6T)



Box Header Pitch 1,27x1,27mm	
Part No.:	T16C019-
Customer:	

DRW:	Jason	CHKD	Wilson	MATL:	Wilson	TOLERANCE	Mason	DATE	26.08.2017
APPD:	Schumi			FINISH	Jamy		Sheet No.	4 from 4	