



# DATA SHEET

## THT Battery Holder Type CR-123 One Cell

### Serie: B44011

**THT Battery Holder Type CR-123  
One Cell**

Serie No.: **B44011**

Customer:

DRW:	Jason	CHKD	Wilson	MATL:	Wilson	TOLERANCE	Mason	DATE	01.03.2017
APPD:	Schumi			FINISH	Jamy		Sheet No.		1 from 5

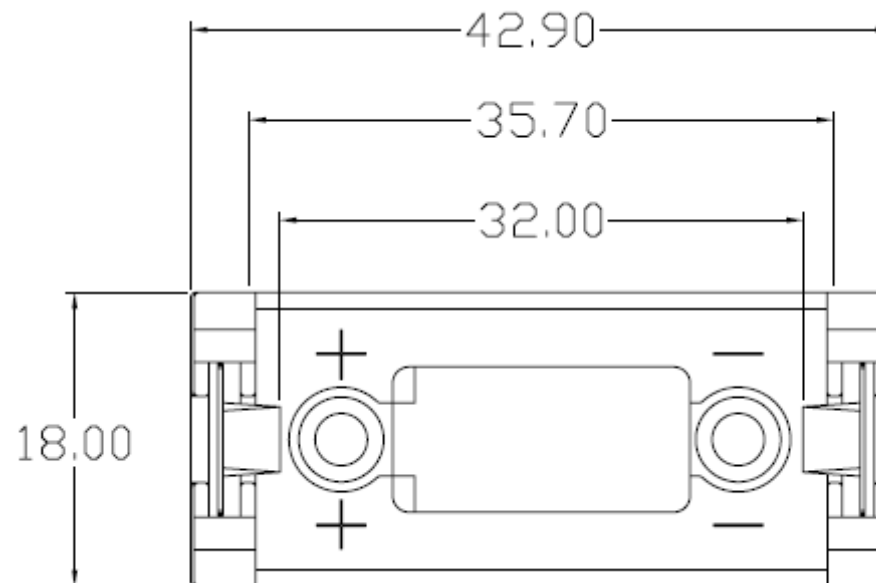
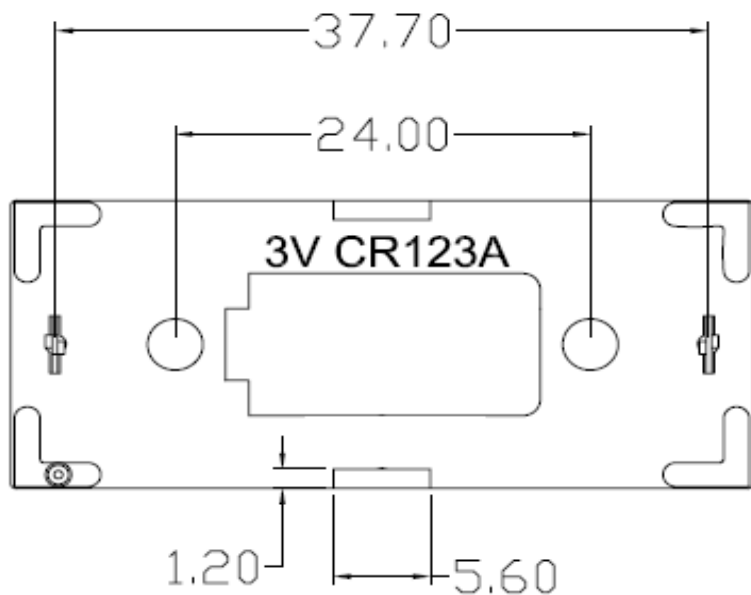
# EDCON-COMPONENTS



## Technical Description

Type: One Cell  
 Material Base: Heat Resistance Nylon UL 94V-0  
 Flammability Rating:  
 Temperature Range: . -10°C to +100°C  
 Contact: 0,3mm Thickness, Stainless Steel  
 TIN Nickel Plated

## Technical Drawing



**THT Battery Holder Type CR-123  
One Cell**

Part No.: **B44011**

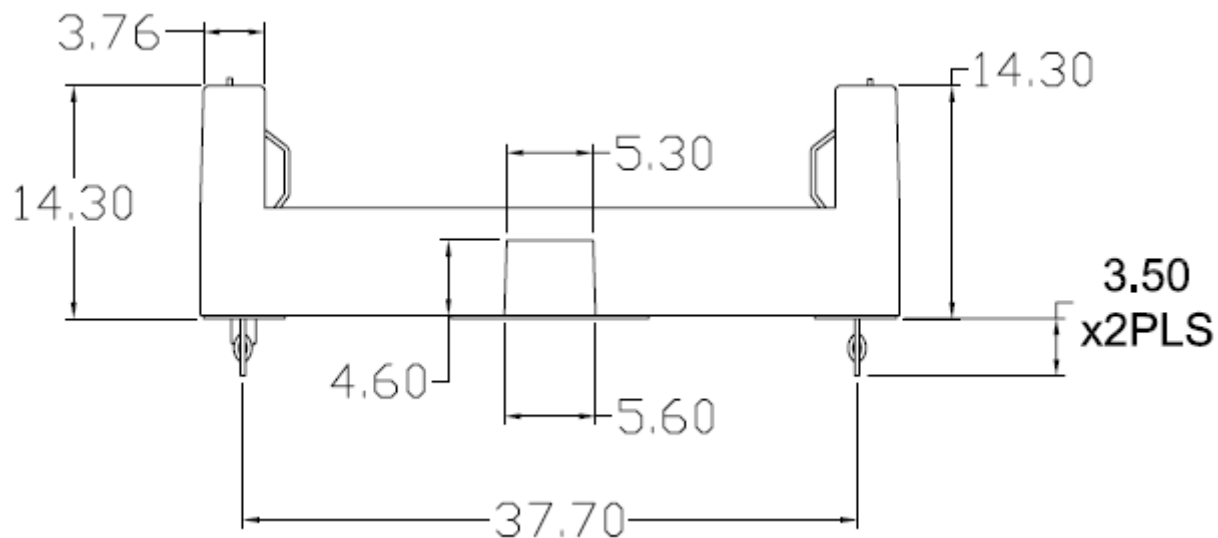
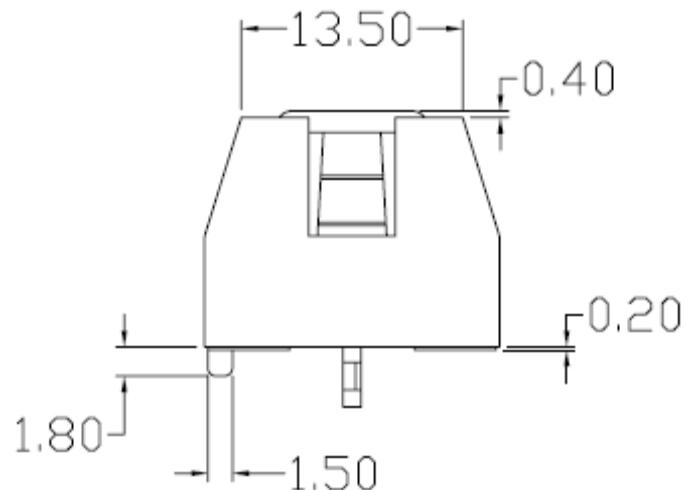
Customer:

DRW:	Jason	CHKD	Wilson	MATL:	Wilson	TOLERANCE	Mason	DATE	01.03.2017
APPD:	Schumi			FINISH	Jamy		Sheet No.	2 from 5	

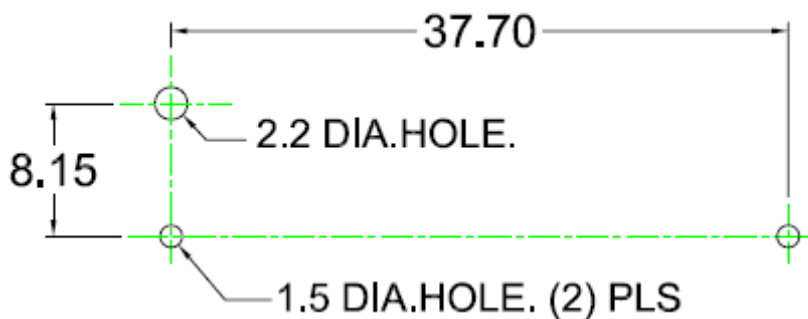
# EDCON-COMPONENTS



## Technical Drawing



## PCB Layout



**THT Battery Holder Type CR-123  
One Cell**

Part No.: **B44011**

DRW:	Jason	CHKD	Wilson	MATL:	Wilson	TOLERANCE	Mason	DATE	01.03.2017
APPD:	Schumi			FINISH	Jamy		Sheet No.	3 from 5	Customer:

# EDCON-COMPONENTS



## Ordering Informations

Customer	Number of Cell	ROHS	Packing Code							
----------	----------------	------	--------------	--	--	--	--	--	--	--

<b>B44011</b>	-	<b>A</b>	<b>R</b>	<b>TY</b>						
---------------	---	----------	----------	-----------	--	--	--	--	--	--

<b>A=</b> One Cell	<b>R=</b> ROHS Conform	<b>TY=</b> Tray Package
	<b>N=</b> NON ROHS Conform	<b>IV=</b> Individuall Package

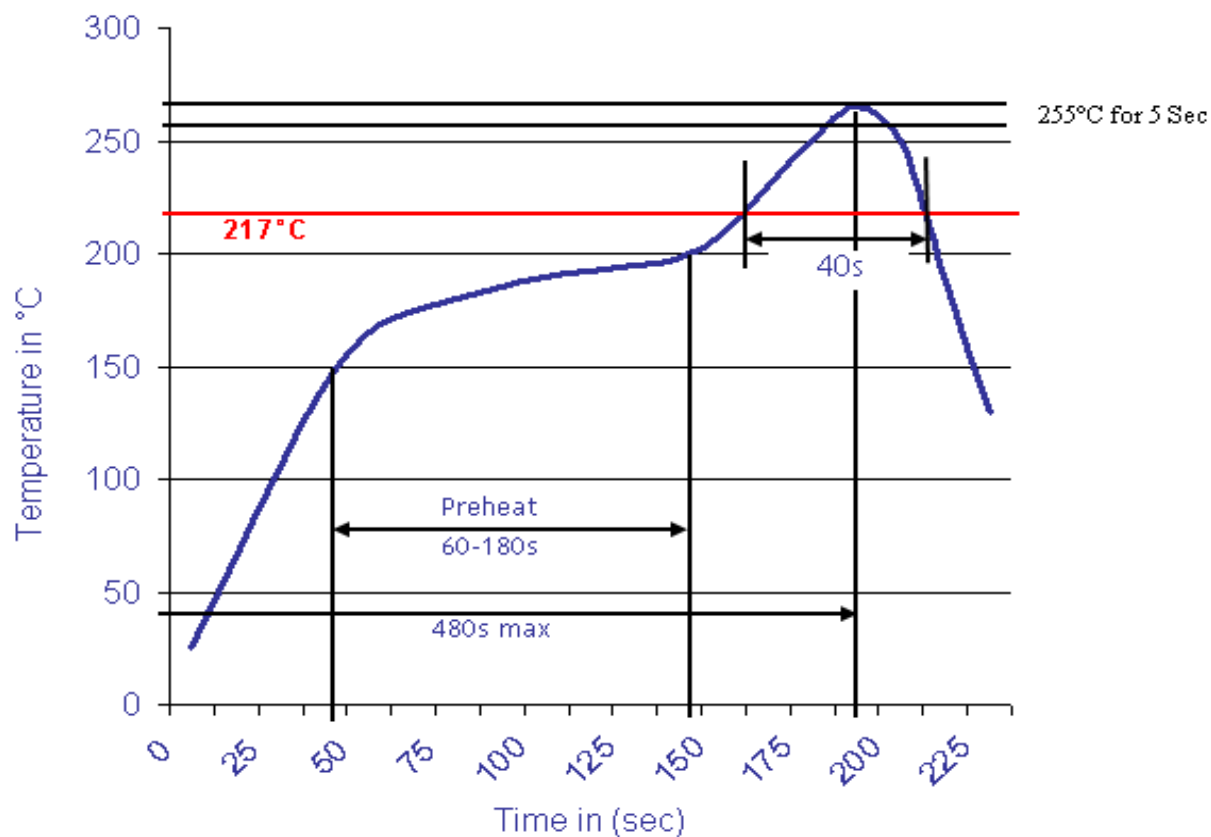
<b>THT Battery Holder Type CR-123 One Cell</b>	
Part No.:	<b>B44011</b>
Customer:	

DRW:	Jason	CHKD	Wilson	MATL:	Wilson	TOLERANCE	Mason	DATE	01.03.2017
APPD:	Schumi			FINISH	Jamy		Sheet No.		4 from 5



Soldering Profile Curve

Classification Reflow Profile (JEDEC J-STD-020C)



THT Battery Holder Type CR-123  
One Cell

Part No.: **B44011**

Customer:

DRW:	Jason	CHKD	Wilson	MATL:	Wilson	TOLERANCE	Mason	DATE	01.03.2017
APPD:	Schumi			FINISH	Jamy		Sheet No.	5 from 5	