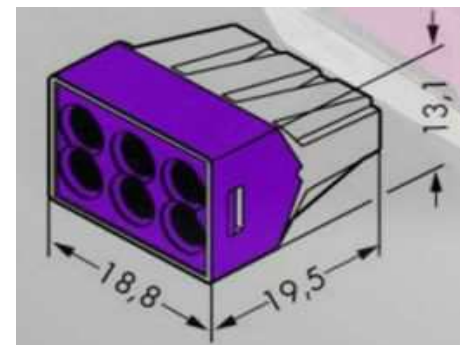


EDCON-COMPONENTS



Technical Discription

Number of Pole	6 (2x3)
Cross Section (mm ²)	0,75 ~ 2,5mm ²
Cross Section (AWG)	18 ~12
Wiring Method	Push In
Measured Voltage	400V
Withstanding Voltage	4KV
Currency	24A
Color of Inside Body	Violett
No of potential	1
Strip length	12mm
Dimension	Look drawing
Weight	4,3gr.



Push-Wire Connector 6Pol

Part No.: **A17003-**

Customer:

DRW:	Jason	CHKD	Wilson	MATL:	Wilson	TOLERANCE	Mason	DATE	08.12.2014
APPD:	Schumi			FINISH	Jamy		Sheet No.	1 from 2	

EDCON-COMPONENTS



Ordering Informations

Serie	Pos.	Color of Body	Special function	ROHS	Packing					
A17003-	06	VI	XX	R	TY					

06= 2x3Pos.	VI= Violett	xx = No special function	R= ROHS Conform	TY= Tray Package
			R= ROHS Conform	BU= Bulk Ware

Push-Wire Connector 6Pol

Part No.: **A17003-**

DRW:	Jason	CHKD	Wilson	MATL:	Wilson	TOLERANCE	Mason	DATE	08.12.2014
APPD:	Schumi			FINISH	Jamy		Sheet No.		2 from 2

Customer: