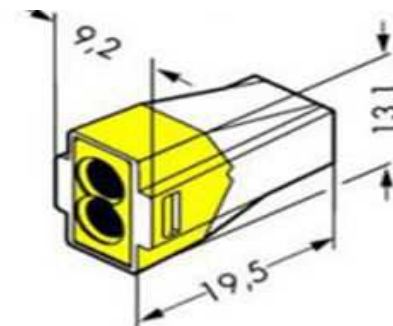


EDCON-COMPONENTS



Technical Discription

Number of Pole	2 (1x2)
Cross Section (mm ²)	0,75 ~ 2,5mm ²
Cross Section (AWG)	18 ~12
Wiring Method	Push In
Measured Voltage	400V
Withstanding Voltage	4KV
Currency	24A
Color of Inside Body	Yellow
No of potential	1
Strip length	12mm
Dimension	Look drawing
Weight	1,85gr.



Push-Wire Connector 2Pol

Part No.: **A17001-**

Customer:

DRW:	Jason	CHKD	Wilson	MATL:	Wilson	TOLERANCE	Mason	DATE	08.12.2014
APPD:	Schumi			FINISH	Jamy		Sheet No.	1 from 2	

EDCON-COMPONENTS



Ordering Informations

Serie	Pos.	Color of Body	Special function	ROHS	Packing					
A17001-	04	OR	XX	R	TY					

04= 2x2Pos.	OR= Orange	xx = No special function	R= ROHS Conform	TY= Tray Package
	YE= Yellow		R= ROHS Conform	BU= Bulk Ware

Push-Wire Connector 2Pol

Part No.: **A17001-**

DRW:	Jason	CHKD	Wilson	MATL:	Wilson	TOLERANCE	Mason	DATE	08.12.2014	Customer:
APPD:	Schumi			FINISH	Jamy		Sheet No.	2 from 2		

www.edcon-components.com

email: info@edcon-components.com