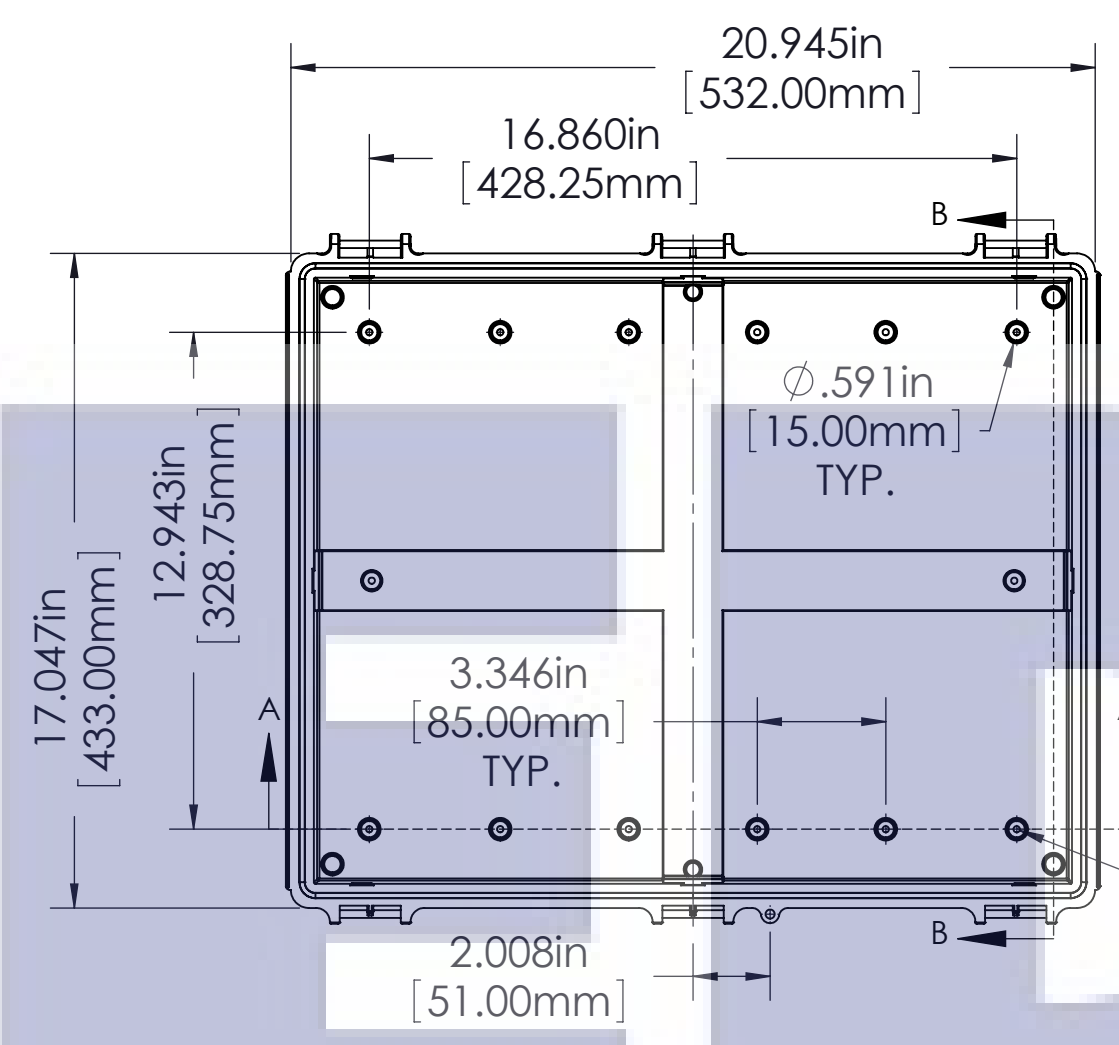
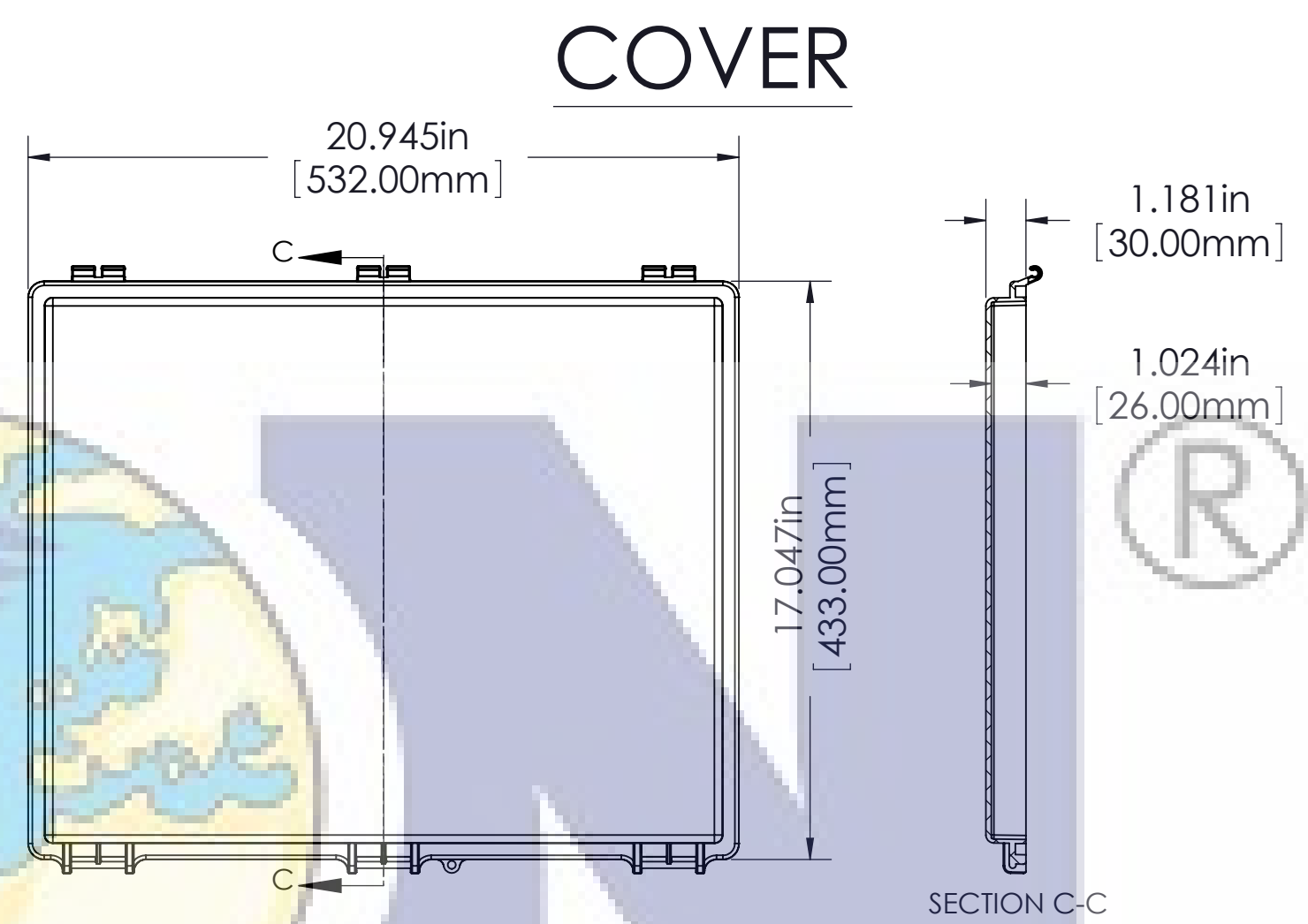
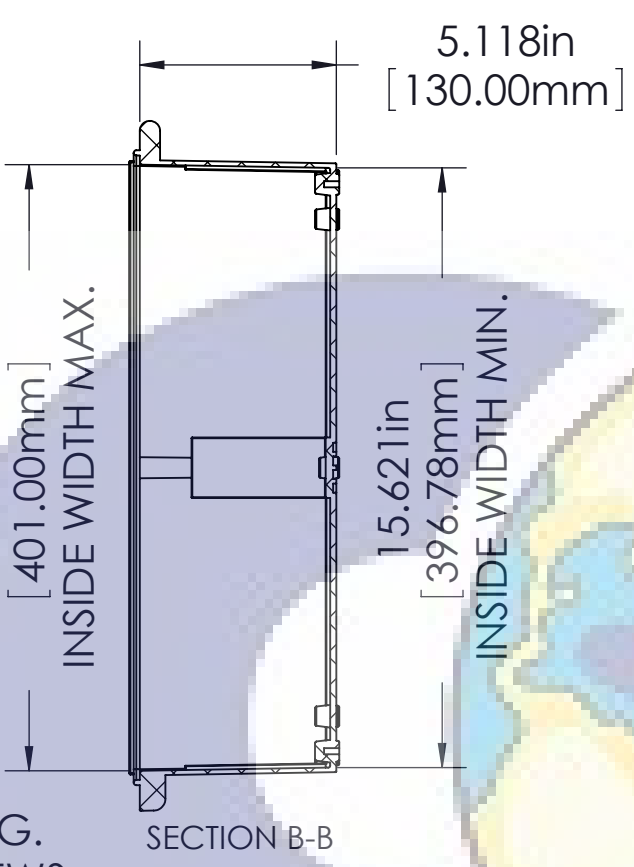


MATERIAL	FLAMMABILITY RATING	CONTINUOUS OPERATING TEMP.
ABS	UL94-HB	-40°C ~ +60°C / -40°F ~ 140°F
CLEAR PC	UL94-V0 UV STABILIZED	-40°C ~ +130°C / -40°F ~ 266°F
ABS / PC BLEND	UL94-5VA	-40°C ~ +85°C / -40°F ~ 185°F
PBT / PC BLEND	UL94-5VA + UV (f1)	-40°C ~ +75°C / -40°F ~ 167°F

FINISH:  
 BODY \_\_\_\_\_ LIGHT GRAY  
 COVER \_\_\_\_\_ LIGHT GRAY OR CLEAR  
 LATCHES & HINGES \_\_\_\_\_ PLASTIC  
 WALL MOUNTING BRACKETS \_\_\_\_\_ STAINLESS STEEL & HARDWARE



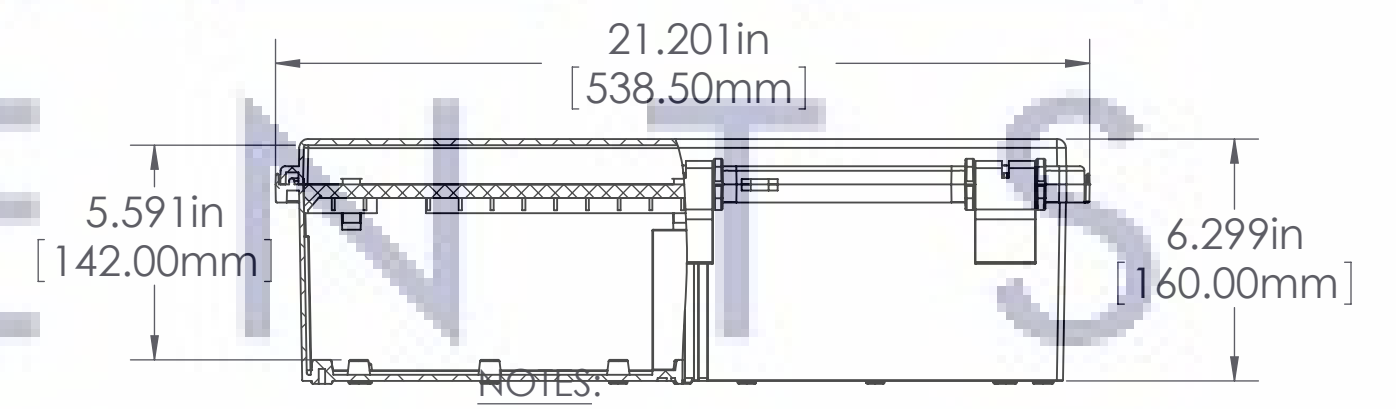
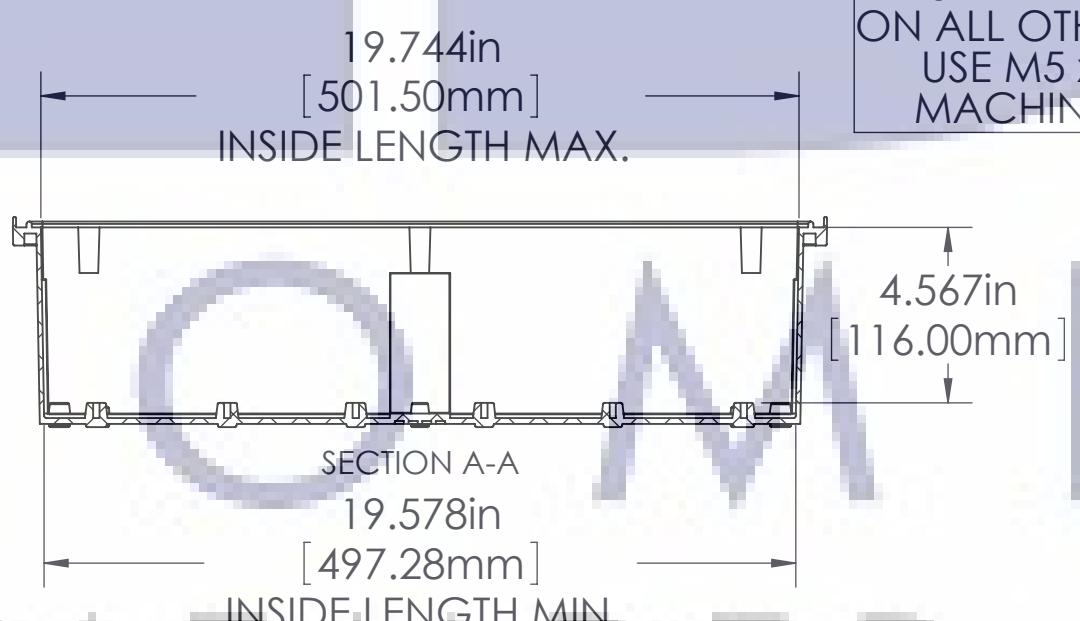
### BODY



### COVER

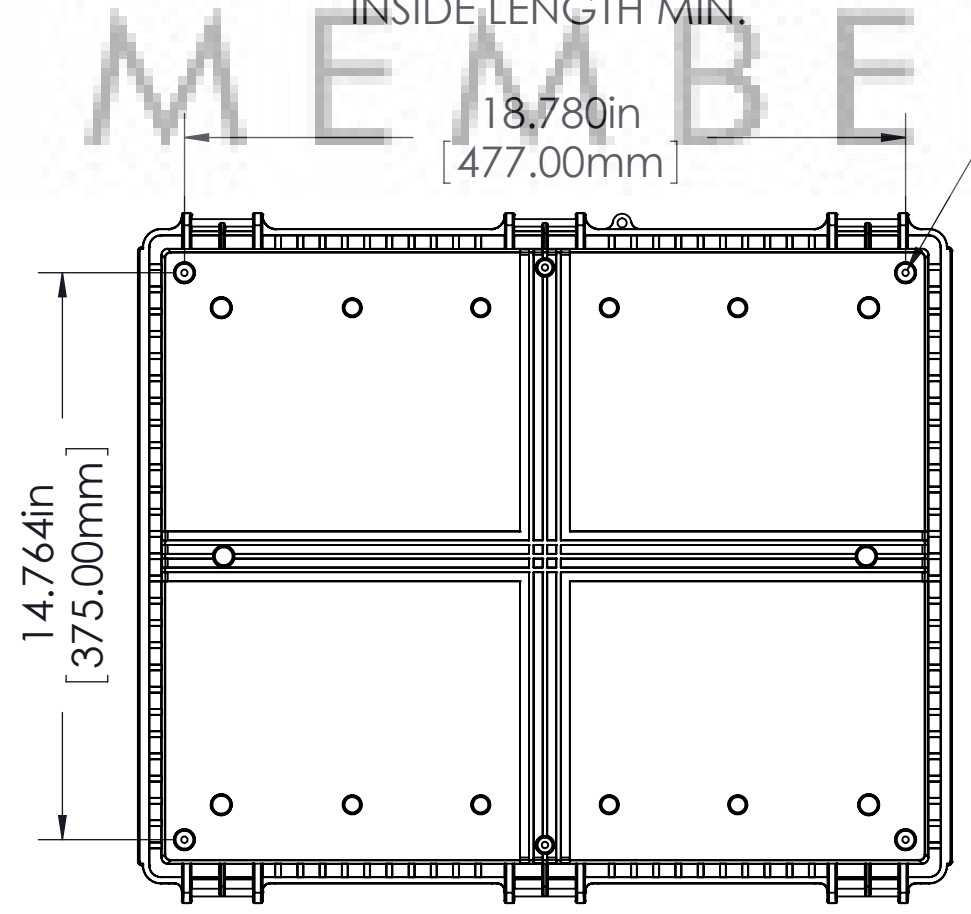
FOR M5 x 10mm LG. SELF-TAPPING SCREWS (ABS VERSIONS ONLY)  
 M5 THREADED INSERTS ON ALL OTHER VERSIONS  
 USE M5 x 8mm LG. MACHINE SCREWS.

### ASSEMBLY

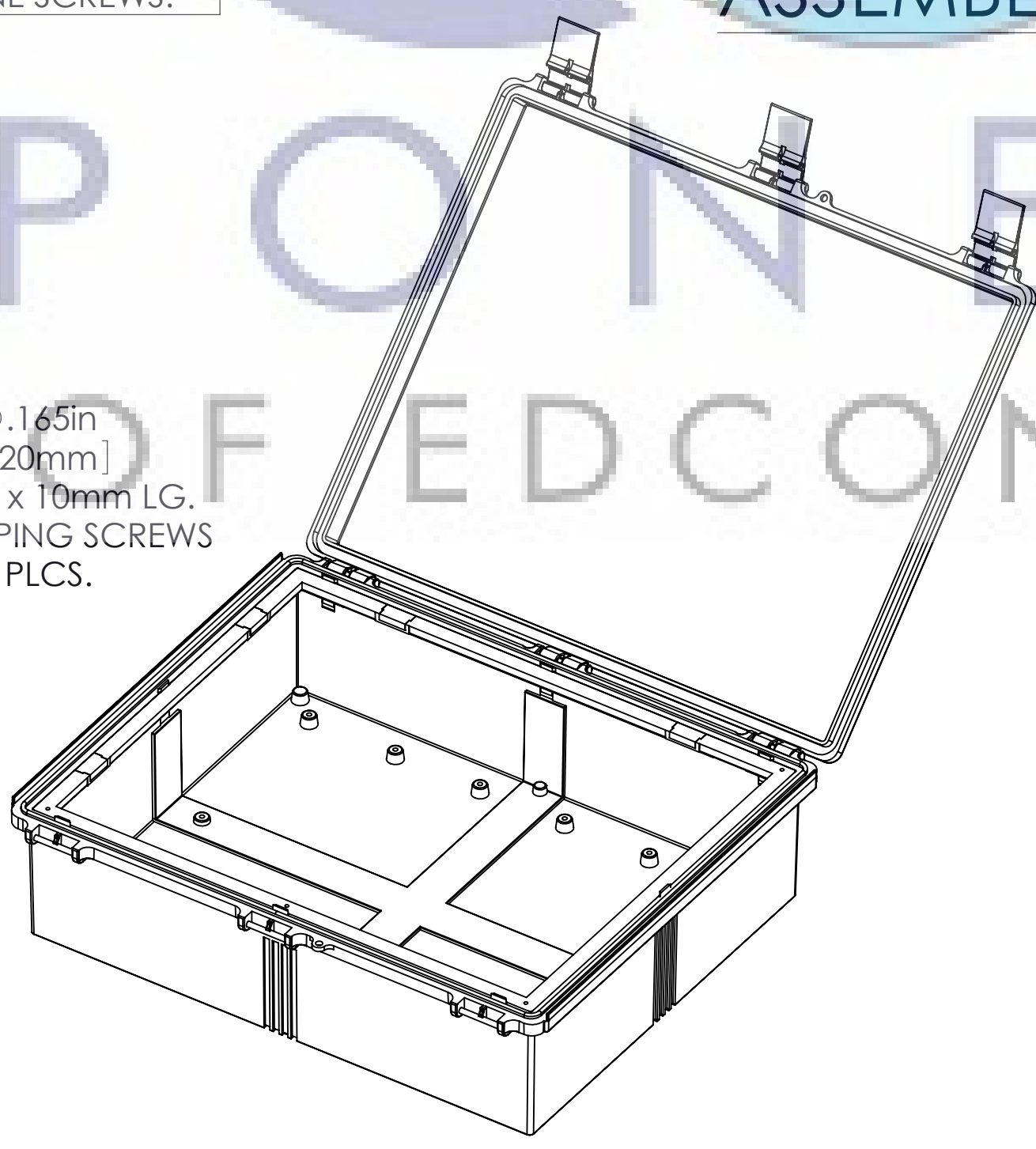


- 1) UNIT COMES COMPLETE WITH (4) WALL MOUNTING BRACKETS & (4) M5 x 10mm LG. SELF-TAPPING SCREWS. (NOT SHOWN)
- 2) BOXES DESIGNED TO MEET THESE STANDARDS: NEMA 1,2,4,4X, AND IEC529-IP65 REQUIREMENTS.

TOLERANCE:  
 ALL DIMENSIONS HAVE ±0.039in [±1mm] TOLERANCE UNLESS OTHERWISE SPECIFIED.



FOR M5 x 10mm LG. SELF-TAPPING SCREWS 4 PLCS.



PART NO.	MATERIAL		USE
	BODY	COVER	
EN-AG-4353-S	ABS	ABS	INDOOR
EN-AT-4353-S	ABS	CLEAR PC	INDOOR
EN-PG-4353-S	ABS / PC	ABS / PC	INDOOR
EN-PT-4353-S	ABS / PC	CLEAR PC	INDOOR
EN-PCG-4353-S	PBT / PC	PBT / PC	OUTDOOR
EN-PCT-4353-S	PBT / PC	CLEAR PC	OUTDOOR

# EDCON-COMPONENTS



## Ordering Informations

Serie	Material Body	Color Body	Material Cover	Color Cover	ROHS	Packing				
<b>H37020</b>	<b>AB</b>	<b>LG</b>	<b>AB</b>	<b>LG</b>	<b>R</b>	<b>CA</b>				
	<b>AB= Material ABS</b>	<b>LG= Light gray</b>	<b>AB= Material ABS</b>	<b>LG= Light gray</b>	<b>R= ROHS Conform</b>	<b>CA= Standard Export Carton</b>				
	<b>PC= Material Polycarbonat</b>		<b>PC= Material Polycarbonat</b>	<b>CL= Clear</b>						

<b>Enclosure Order Code</b>
Part No.:
Customer:

DRW:	Jason	CHKD	Wilson	MATL:	Wilson	TOLERANCE	Mason	DATE	
APPD:	Schumi			FINISH	Jamy		Sheet No.		