

PART NAME **ECONOMY BOX**

PART No.

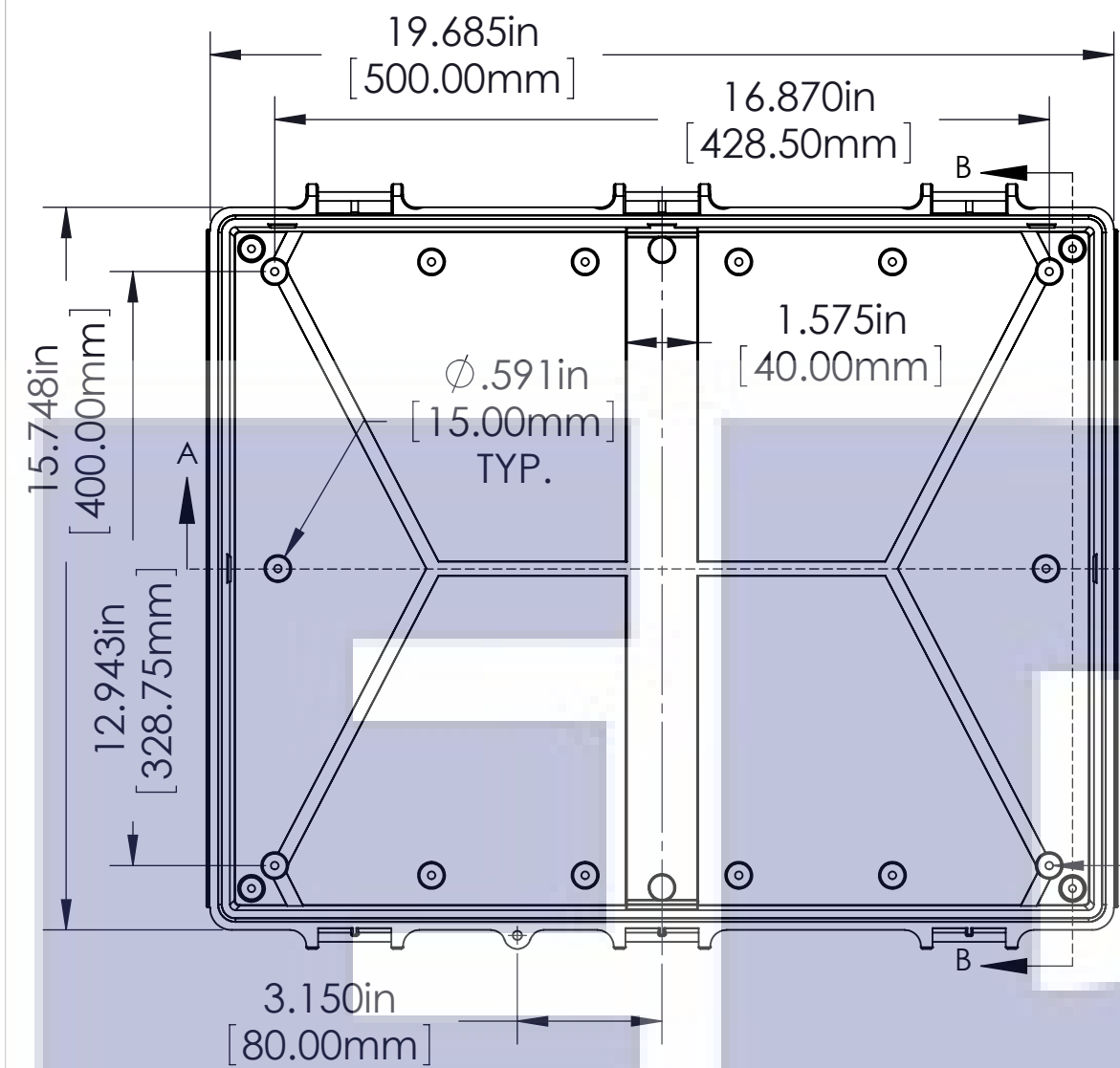
EN-000-4050-B (REPLACE "000" WITH MATERIAL TYPE. SEE CHART BELOW.)

REVISION DATE 8/23/2010

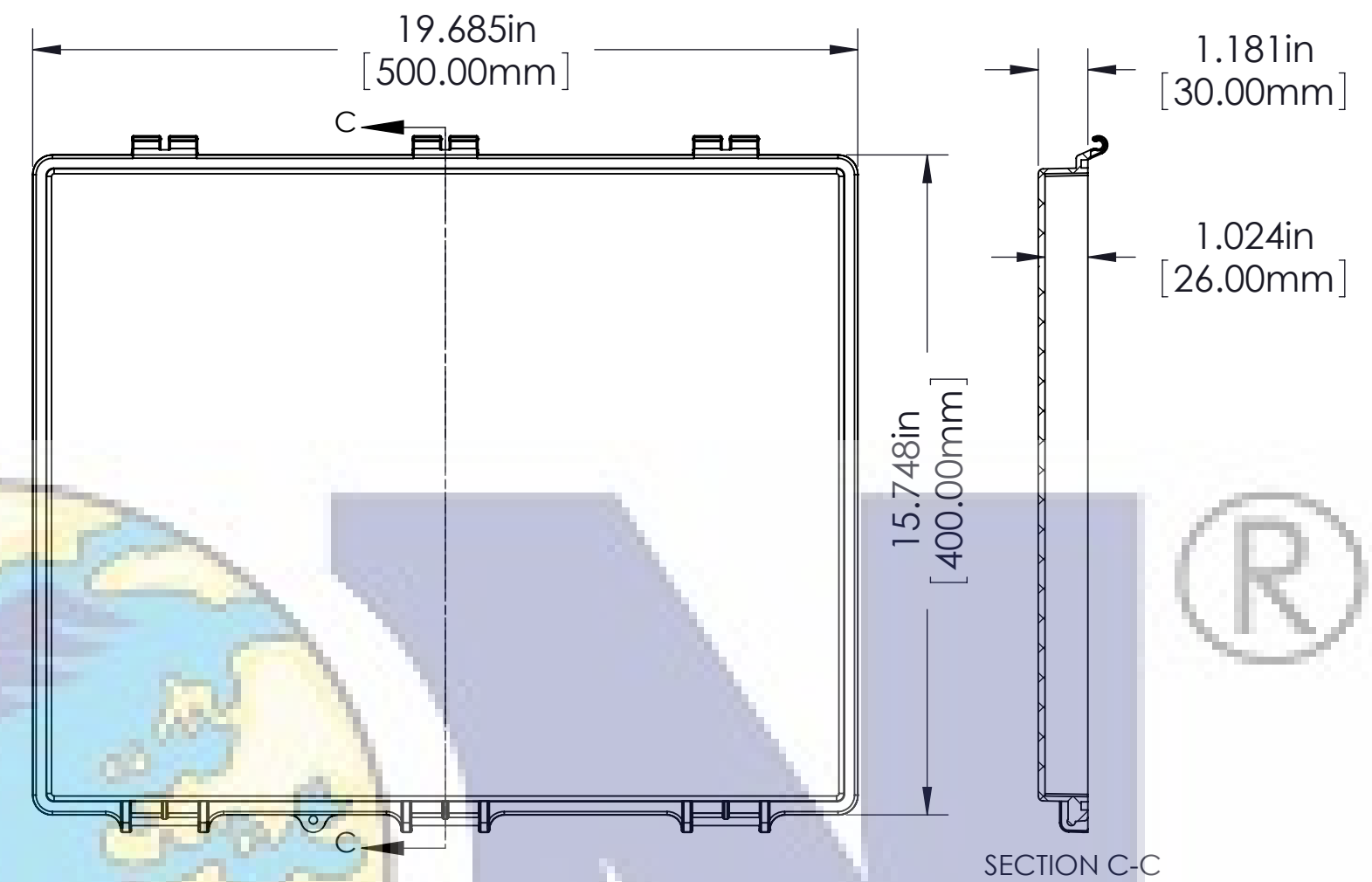
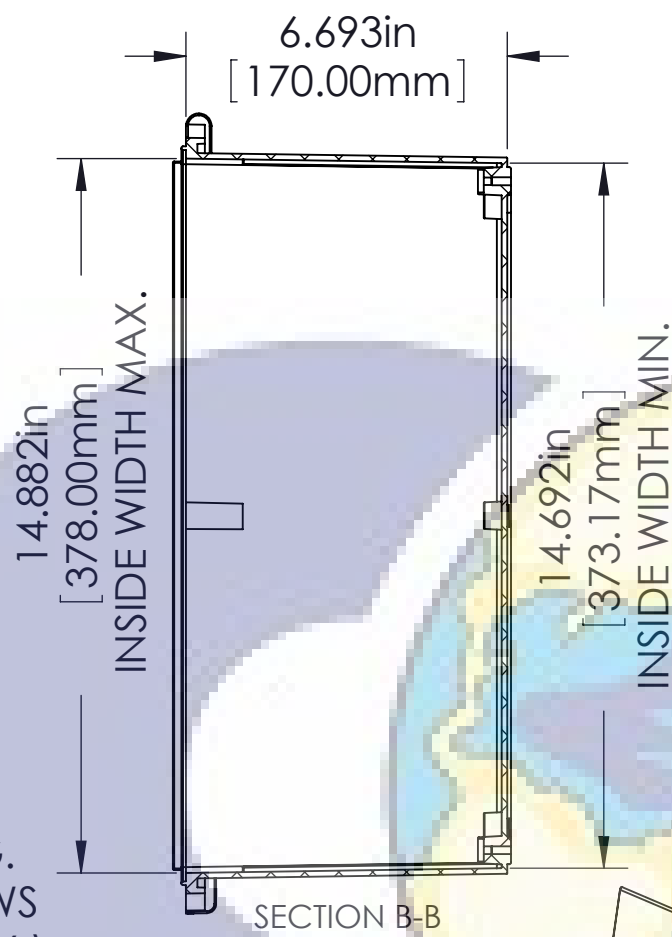
MATERIAL	FLAMMABILITY RATING	CONTINUOUS OPERATING TEMP.
ABS	UL94-HB	-40°C ~ +60°C / -40°F ~ 140°F
CLEAR PC	UL94-V0 UV STABILIZED	-40°C ~ +130°C / -40°F ~ 266°F
ABS / PC BLEND	UL94-5VA	-40°C ~ +85°C / -40°F ~ 185°F
PBT / PC BLEND	UL94-5VA + UV (f1)	-40°C ~ +75°C / -40°F ~ 167°F

FINISH:  
 BODY \_\_\_\_\_ LIGHT GRAY  
 COVER \_\_\_\_\_ LIGHT GRAY OR CLEAR  
 LATCHES & HINGES \_\_\_\_\_ PLASTIC  
 WALL MOUNTING BRACKETS \_\_\_\_\_ STAINLESS STEEL & HARDWARE

# COVER

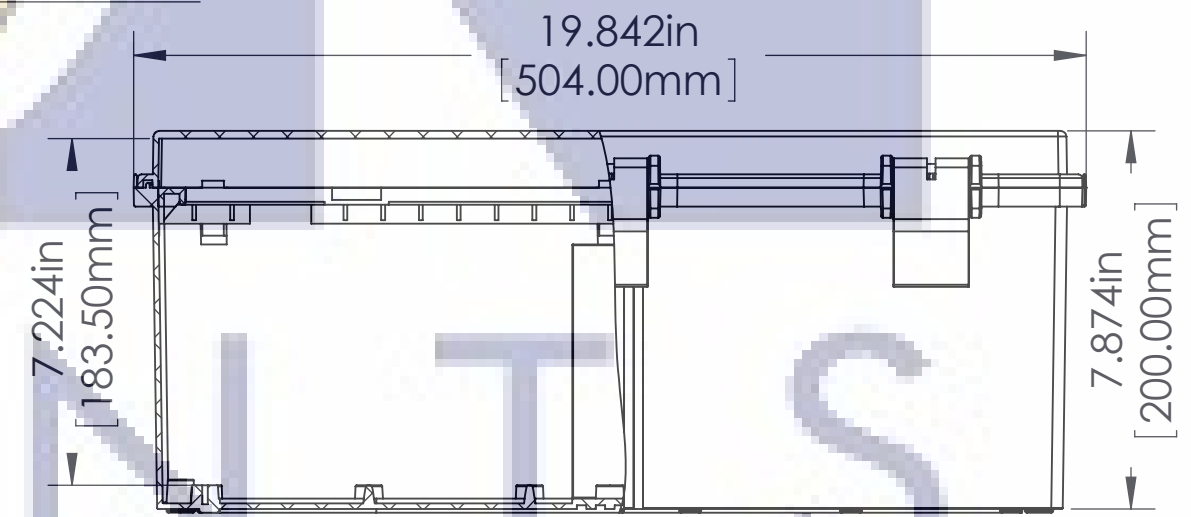
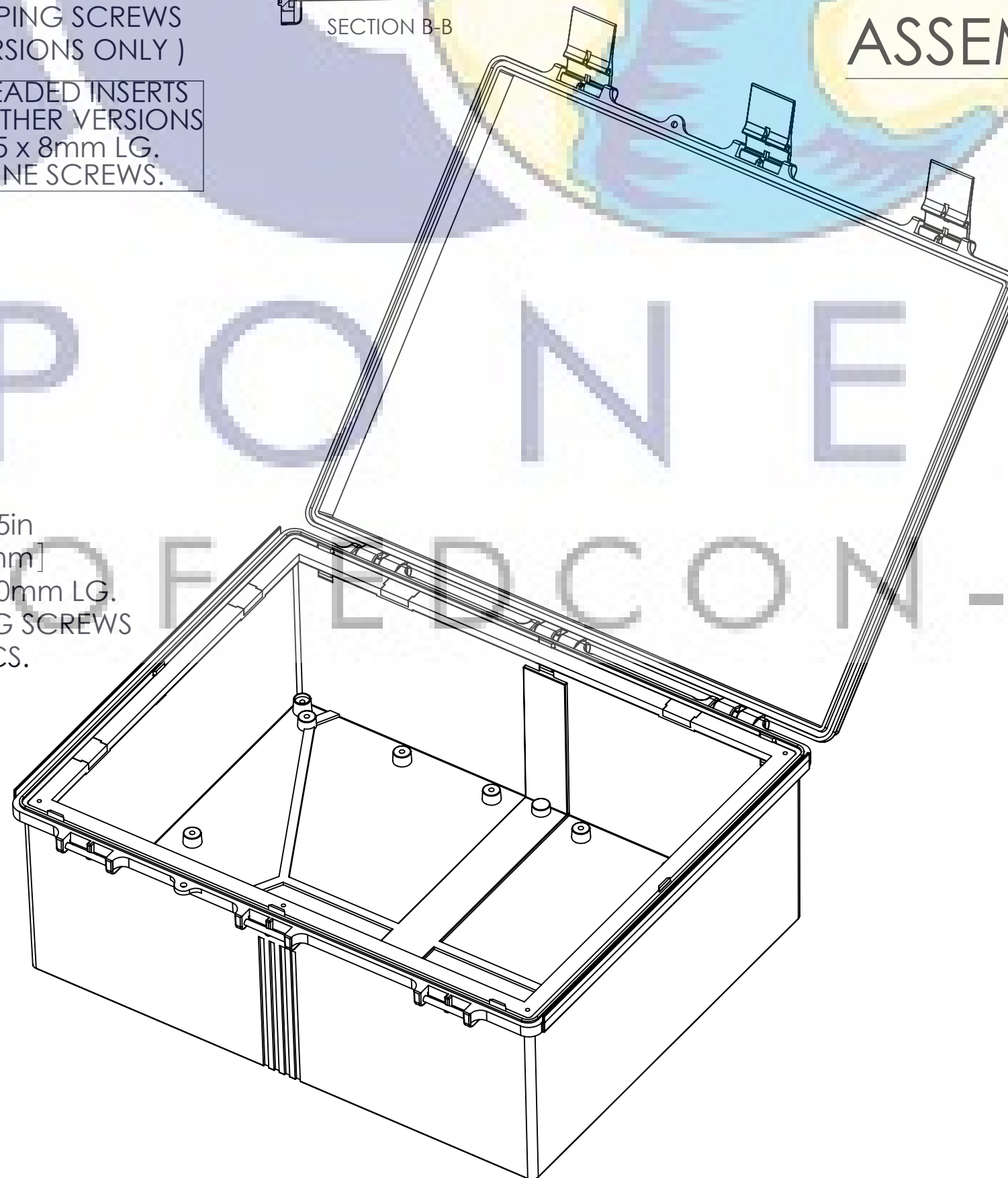


# BODY



$\phi .165$ in [4.20mm]  
 FOR M5 x 10mm LG. SELF-TAPPING SCREWS (ABS VERSIONS ONLY)  
 M5 THREADED INSERTS ON ALL OTHER VERSIONS USE M5 x 8mm LG. MACHINE SCREWS.

# ASSEMBLY



NOTES:

- 1) UNIT COMES COMPLETE WITH (4) WALL MOUNTING BRACKETS & (4) M5 x 10mm LG. SELF-TAPPING SCREWS. (NOT SHOWN)
- 2) BOXES DESIGNED FOR THE FOLLOWING STANDARDS: NEMA 1,2,4,4X, AND IEC529-IP65 REQUIREMENTS.

TOLERANCE:

ALL DIMENSIONS HAVE  $\pm 0.039$ in [ $\pm 1$ mm] TOLERANCE UNLESS OTHERWISE SPECIFIED.

PART NO.	MATERIAL		USE
	BODY	COVER	
EN-AG-4050-B	ABS	ABS	INDOOR
EN-AT-4050-B	ABS	CLEAR PC	INDOOR
EN-PG-4050-B	ABS / PC	ABS / PC	INDOOR
EN-PT-4050-B	ABS / PC	CLEAR PC	INDOOR
EN-PCG-4050-B	PBT / PC	PBT / PC	OUTDOOR
EN-PCT-4050-B	PBT / PC	CLEAR PC	OUTDOOR

# EDCON-COMPONENTS



## Ordering Informations

Serie	Material Body	Color Body	Material Cover	Color Cover	ROHS	Packing				
<b>H37019</b>	<b>AB</b>	<b>LG</b>	<b>AB</b>	<b>LG</b>	<b>R</b>	<b>CA</b>				
	<b>AB= Material ABS</b>	<b>LG= Light gray</b>	<b>AB= Material ABS</b>	<b>LG= Light gray</b>	<b>R= ROHS Conform</b>	<b>CA= Standard Export Carton</b>				
	<b>PC= Material Polycarbonat</b>		<b>PC= Material Polycarbonat</b>	<b>CL= Clear</b>						

<b>Enclosure Order Code</b>
Part No.:
Customer:

DRW:	Jason	CHKD	Wilson	MATL:	Wilson	TOLERANCE	Mason	DATE	
APPD:	Schumi			FINISH	Jamy		Sheet No.		