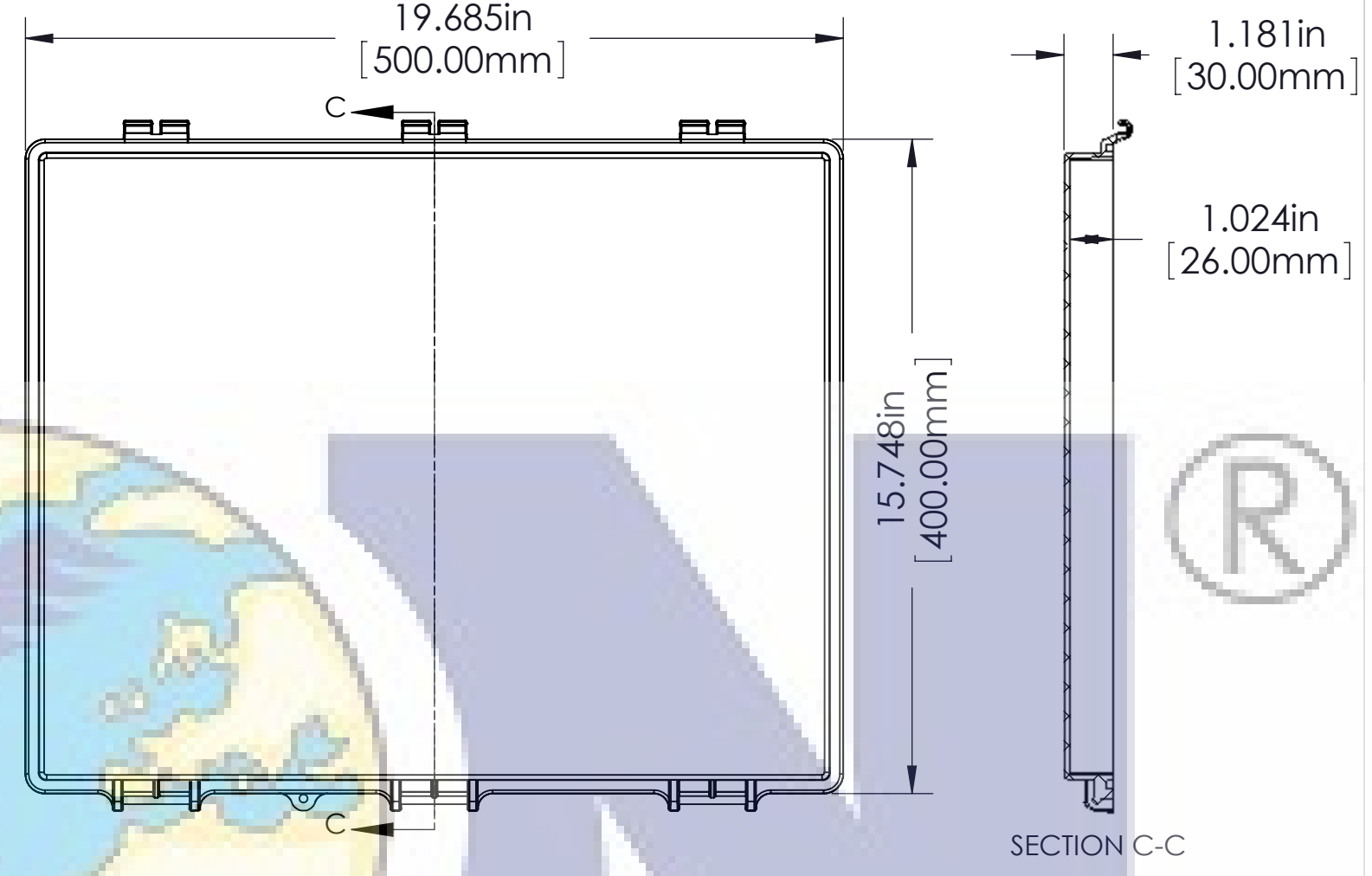
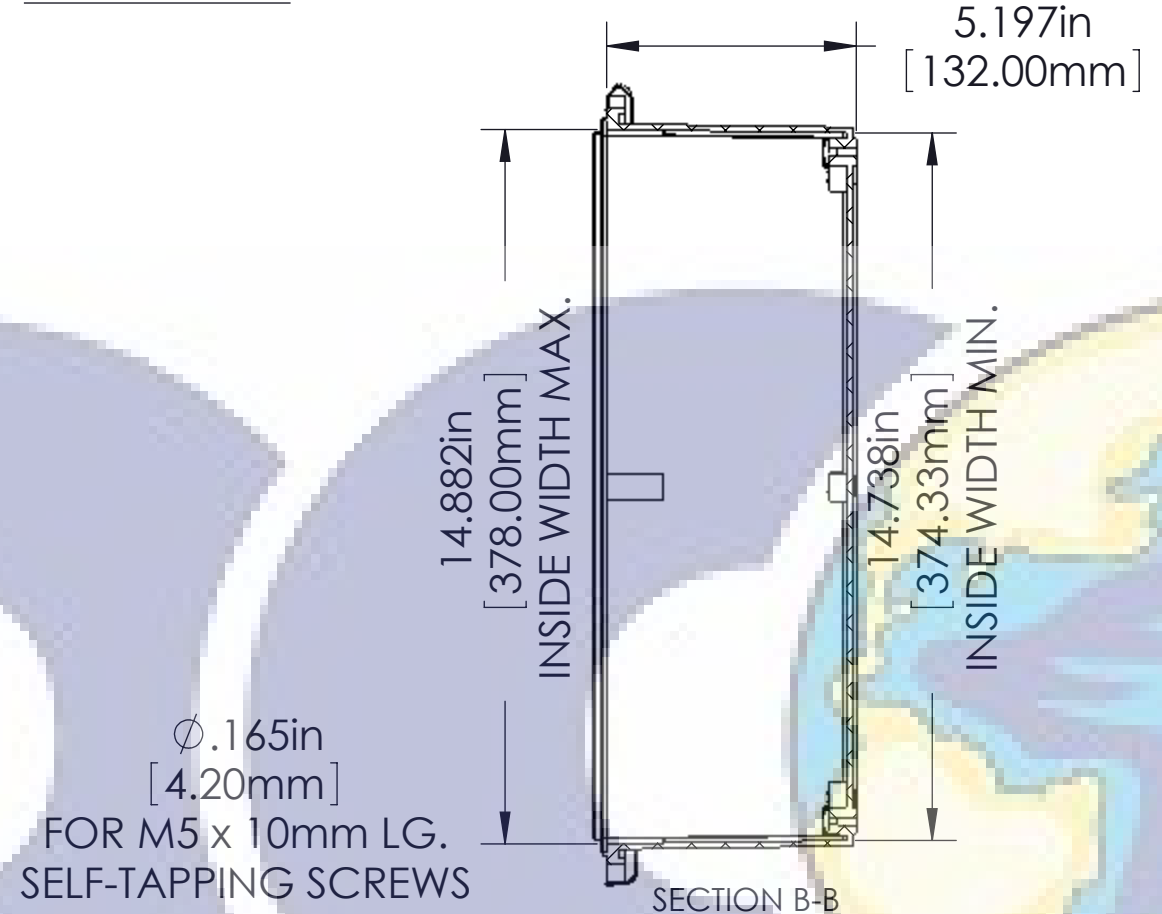
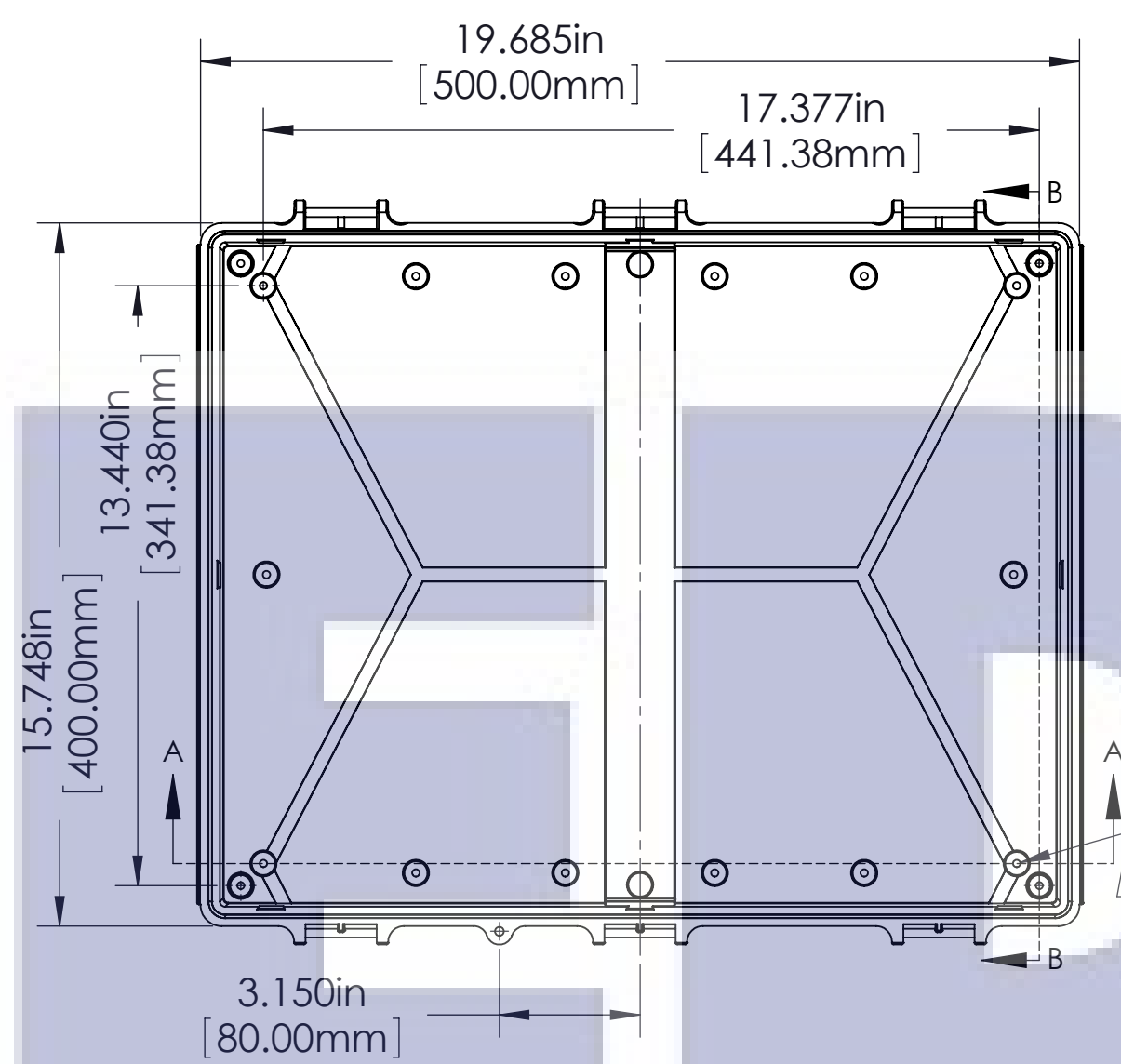


PART NAME	ECONOMY BOX		PART No.	EN-000-4050 (REPLACE "000" WITH MATERIAL TYPE. SEE CHART BELOW.)	REVISION DATE	8/23/2010
MATERIAL	FLAMMABILITY RATING	CONTINUOUS OPERATING TEMP.				
ABS	UL94-HB	-40°C ~ +60°C / -40°F ~ 140°F				
CLEAR PC	UL94-V0 UV STABILIZED	-40°C ~ +130°C / -40°F ~ 266°F				
ABS / PC BLEND	UL94-5VA	-40°C ~ +85°C / -40°F ~ 185°F				
PBT / PC BLEND	UL94-5VA + UV (f1)	-40°C ~ +75°C / -40°F ~ 167°F				

FINISH:
 BODY _____ LIGHT GRAY
 COVER _____ LIGHT GRAY OR CLEAR
 LATCHES & HINGES _____ PLASTIC
 WALL MOUNTING BRACKETS__ STAINLESS STEEL & HARDWARE

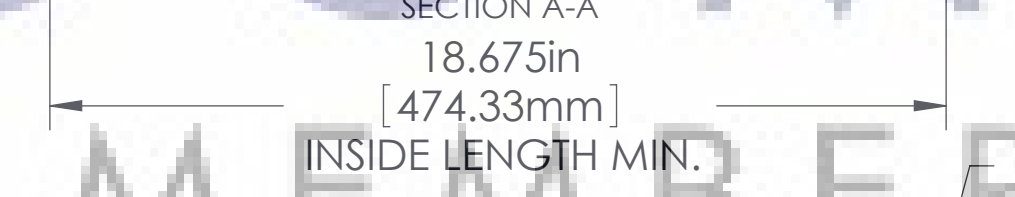
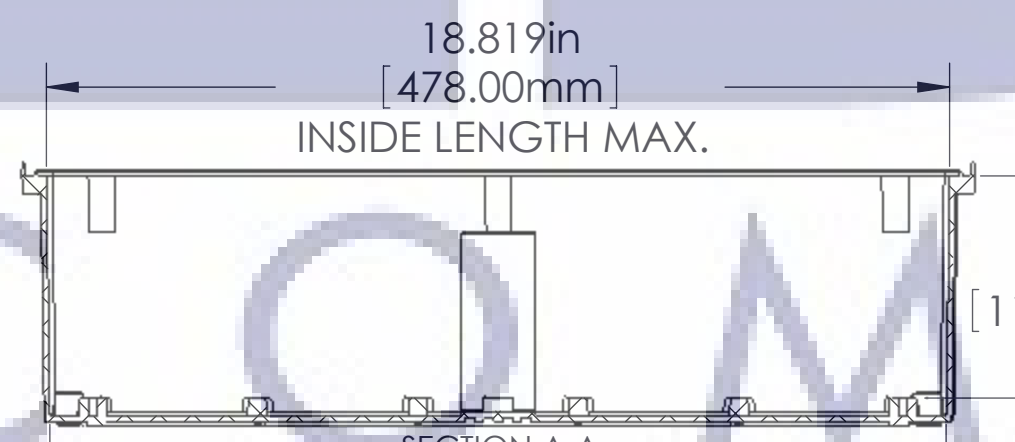
COVER

BODY

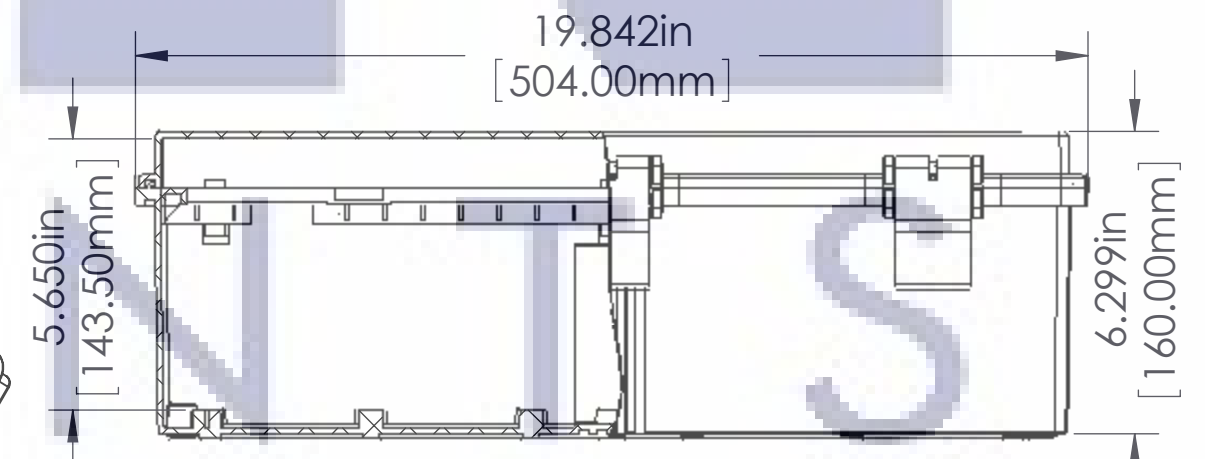


Ø.165in [4.20mm]
 FOR M5 x 10mm LG. SELF-TAPPING SCREWS (ABS VERSIONS ONLY)
 M5 THREADED INSERTS ON ALL OTHER VERSIONS USE M5 x 8mm LG. MACHINE SCREWS.

ASSEMBLY

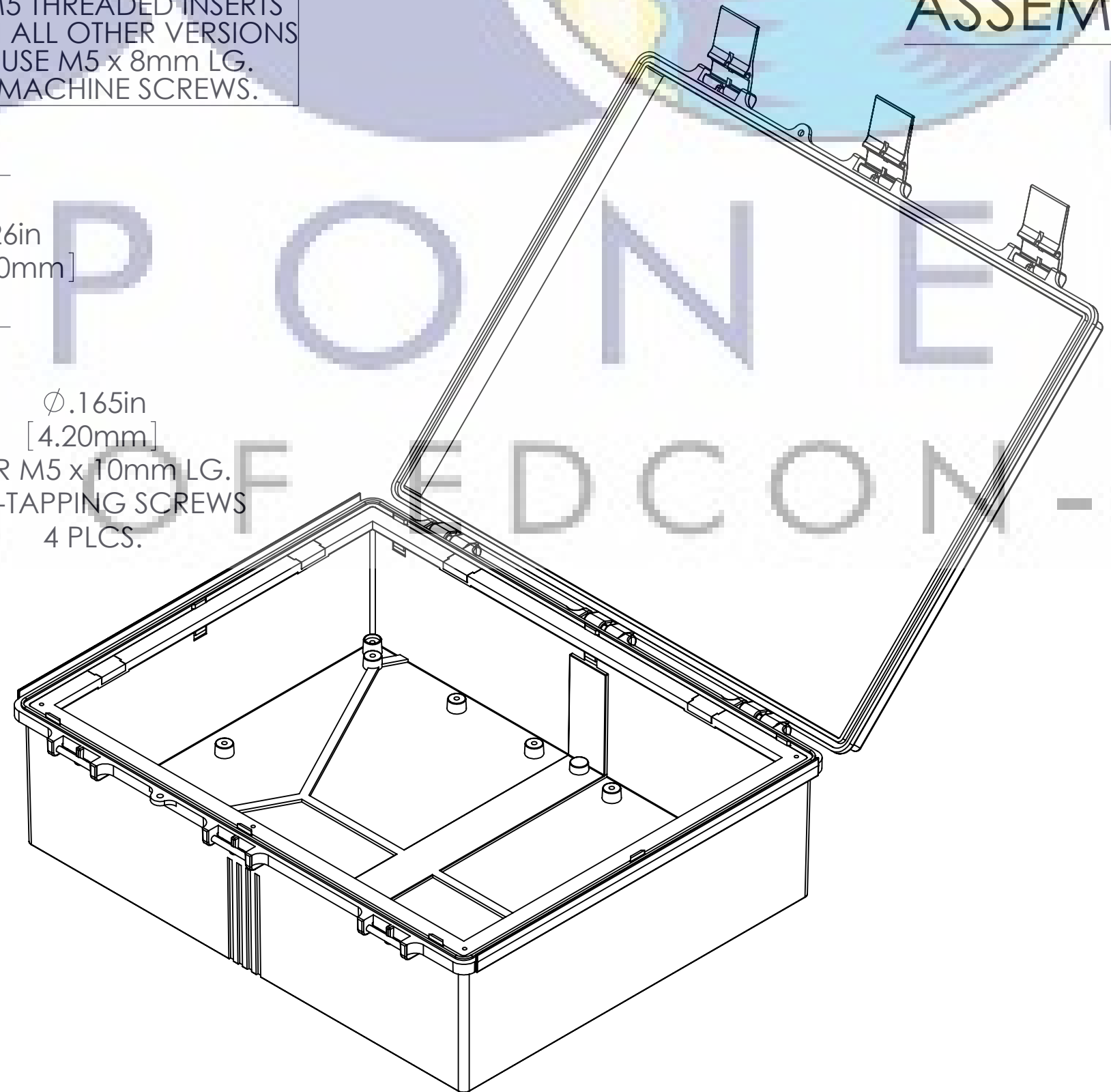
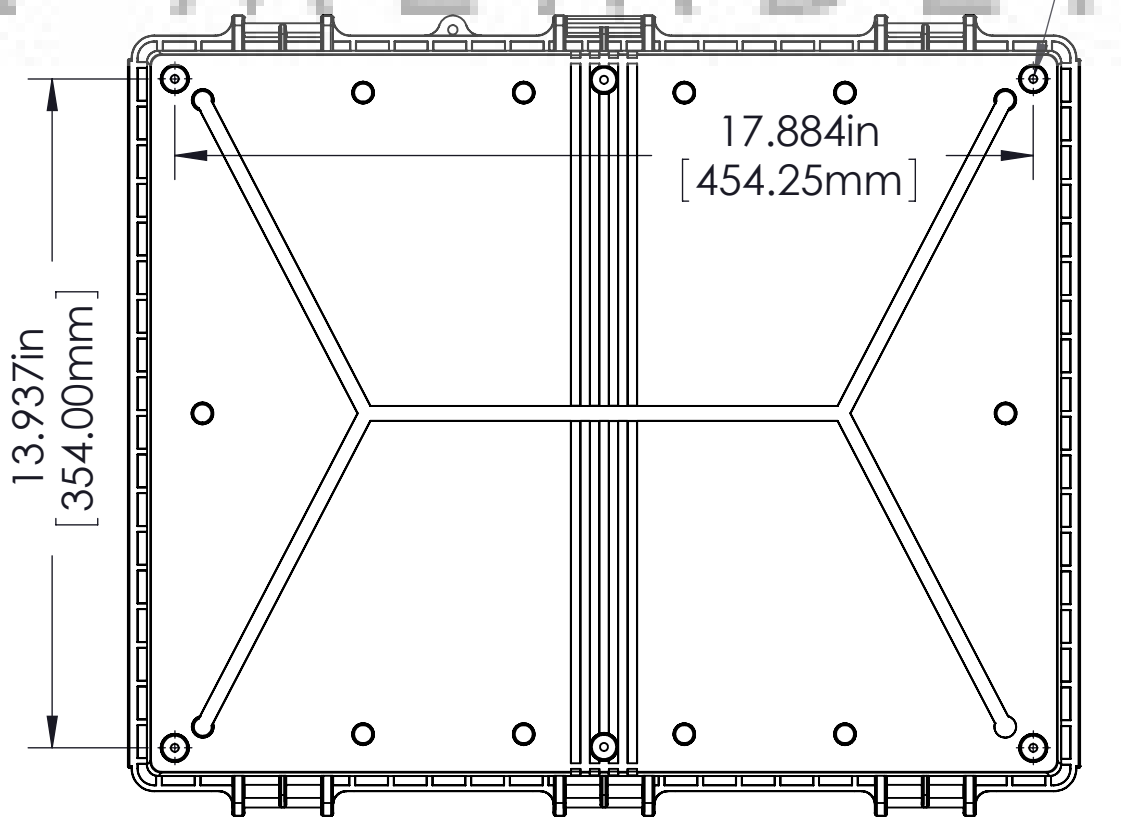


Ø.165in [4.20mm]
 FOR M5 x 10mm LG. SELF-TAPPING SCREWS 4 PLCS.



- NOTES:
- 1) UNIT COMES COMPLETE WITH (4) WALL MOUNTING BRACKETS & (4) M5 x 10mm LG. SELF-TAPPING SCREWS. (NOT SHOWN)
 - 2) BOXES DESIGNED TO MEET FOLLOWING STANDARDS: NEMA 1,2,4,4X, AND IEC529-IP65 REQUIREMENTS.

TOLERANCE:
 ALL DIMENSIONS HAVE ±0.039in [±1mm] TOLERANCE UNLESS OTHERWISE SPECIFIED.



PART NO.	MATERIAL		USE
	BODY	COVER	
EN-AG-4050	ABS	ABS	INDOOR
EN-AT-4050	ABS	CLEAR PC	INDOOR
EN-PG-4050	ABS / PC	ABS / PC	INDOOR
EN-PT-4050	ABS / PC	CLEAR PC	INDOOR
EN-PCG-4050	PBT / PC	PBT / PC	OUTDOOR
EN-PCT-4050	PBT / PC	CLEAR PC	OUTDOOR

EDCON-COMPONENTS



Ordering Informations

Serie	Material Body	Color Body	Material Cover	Color Cover	ROHS	Packing				
H37018	AB	LG	AB	LG	R	CA				
	AB= Material ABS	LG= Light gray	AB= Material ABS	LG= Light gray	R= ROHS Conform	CA= Standard Export Carton				
	PC= Material Polycarbonat		PC= Material Polycarbonat	CL= Clear						

Enclosure Order Code
Part No.:
Customer:

DRW:	Jason	CHKD	Wilson	MATL:	Wilson	TOLERANCE	Mason	DATE	
APPD:	Schumi			FINISH	Jamy		Sheet No.		