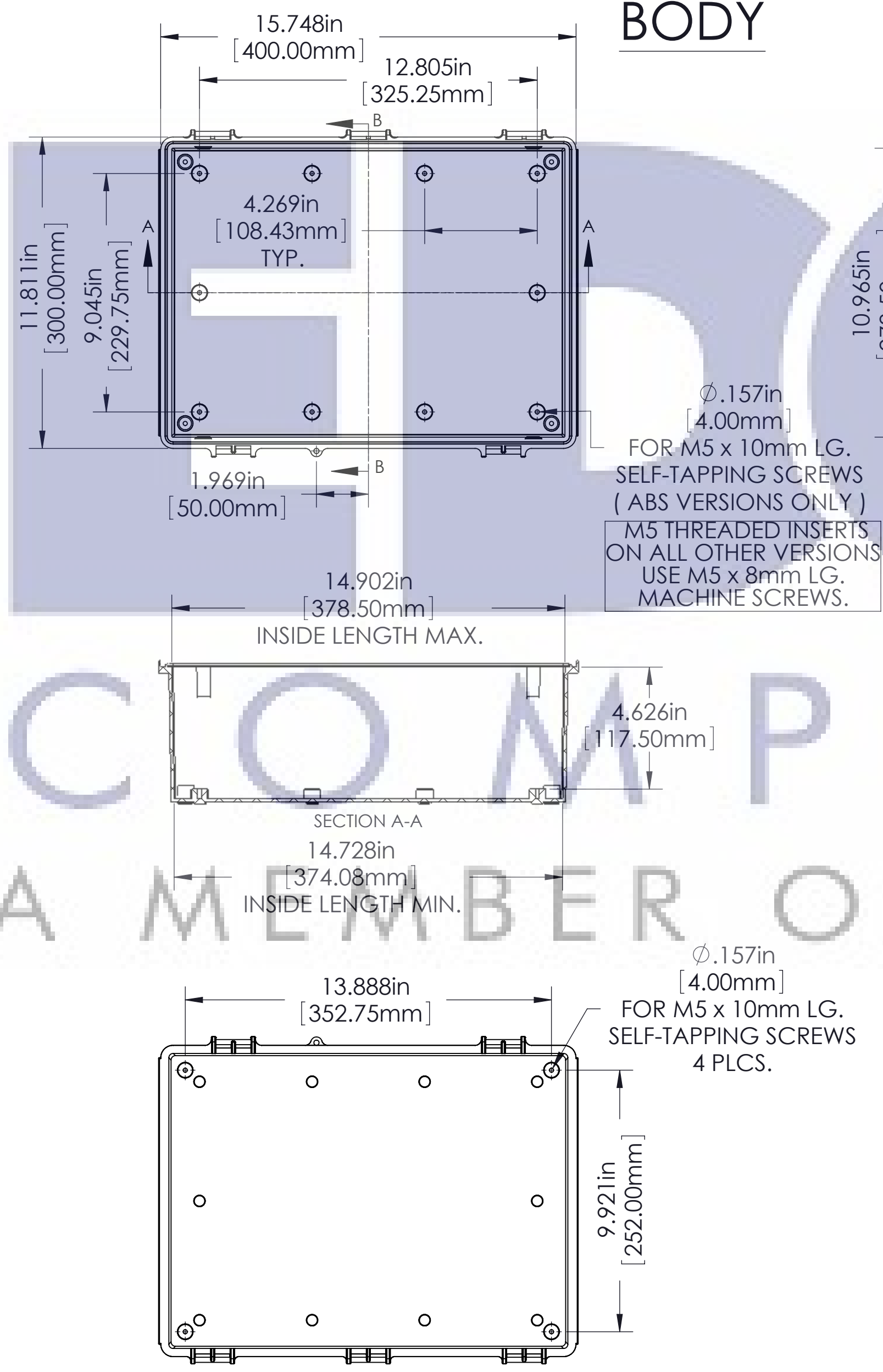
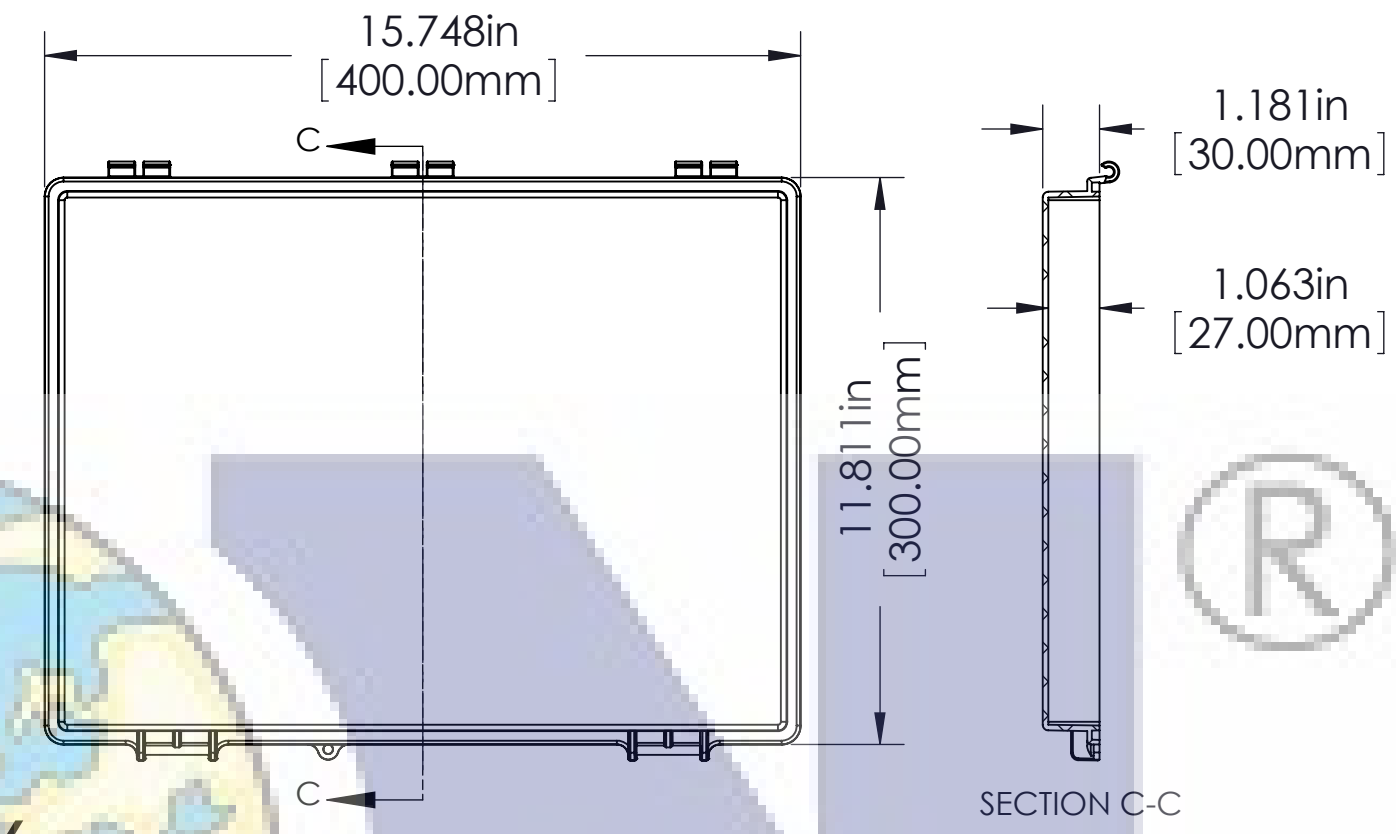


PART NAME	ECONOMY BOX		PART No.	EN-000-3040 (REPLACE "000" WITH MATERIAL TYPE. SEE CHART BELOW.)	REVISION DATE	8/23/2010
MATERIAL	FLAMMABILITY RATING	CONTINUOUS OPERATING TEMP.		FINISH:		
ABS	UL94-HB	-40°C ~ +60°C / -40°F ~ 140°F		BODY	LIGHT GRAY	
CLEAR PC	UL94-V0 UV STABILIZED	-40°C ~ +130°C / -40°F ~ 266°F		COVER	LIGHT GRAY OR CLEAR	
ABS / PC BLEND	UL94-5VA	-40°C ~ +85°C / -40°F ~ 185°F		LATCHES & HINGES	PLASTIC	
PBT / PC BLEND	UL94-5VA + UV (f1)	-40°C ~ +75°C / -40°F ~ 167°F		WALL MOUNTING BRACKETS	STAINLESS STEEL & HARDWARE	

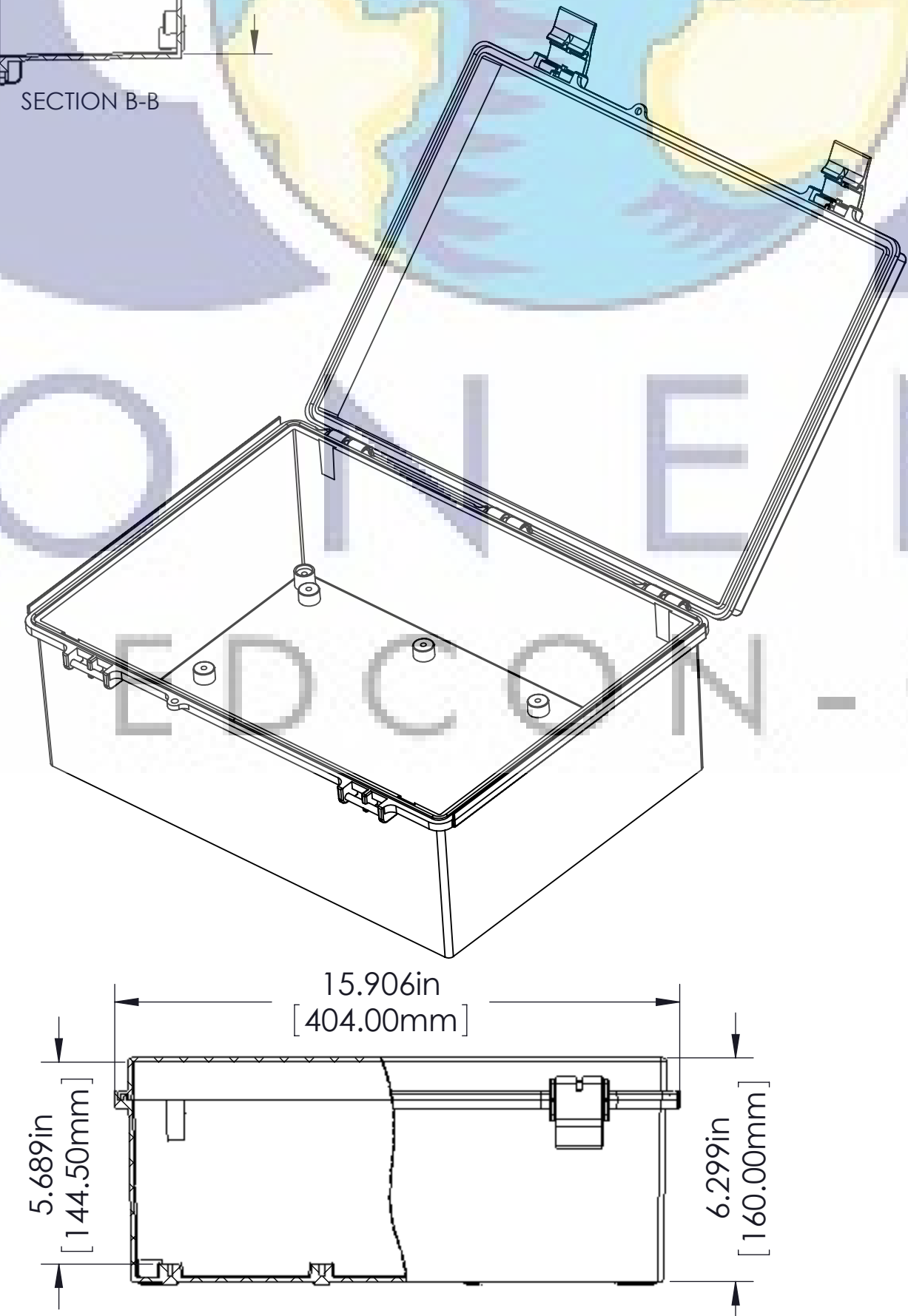
BODY



COVER



ASSEMBLY



NOTES:

- 1) UNIT COMES COMPLETE WITH (4) WALL MOUNTING BRACKETS & (4) M5 x 10mm LG. SELF-TAPPING SCREWS. (NOT SHOWN)
- 2) BOXES DESIGNED TO MEET FOLLOWING STANDARDS: NEMA 1,2,4,4X, AND IEC529-IP65 REQUIREMENTS.

TOLERANCE:

ALL DIMENSIONS HAVE ±0.039in [±1mm] TOLERANCE UNLESS OTHERWISE SPECIFIED.

PART NO.	MATERIAL		USE
	BODY	COVER	
EN-AG-3040	ABS	ABS	INDOOR
EN-AT-3040	ABS	CLEAR PC	INDOOR
EN-PG-3040	ABS / PC	ABS / PC	INDOOR
EN-PT-3040	ABS / PC	CLEAR PC	INDOOR
EN-PCG-3040	PBT / PC	PBT / PC	OUTDOOR
EN-PCT-3040	PBT / PC	CLEAR PC	OUTDOOR

EDCON-COMPONENTS



Ordering Informations

Serie	Material Body	Color Body	Material Cover	Color Cover	ROHS	Packing				
H37014	AB	LG	AB	LG	R	CA				
	AB= Material ABS	LG= Light gray	AB= Material ABS	LG= Light gray	R= ROHS Conform	CA= Standard Export Carton				
	PC= Material Polycarbonat		PC= Material Polycarbonat	CL= Clear						

Enclosure Order Code
Part No.:
Customer:

DRW:	Jason	CHKD	Wilson	MATL:	Wilson	TOLERANCE	Mason	DATE	
APPD:	Schumi			FINISH	Jamy		Sheet No.		