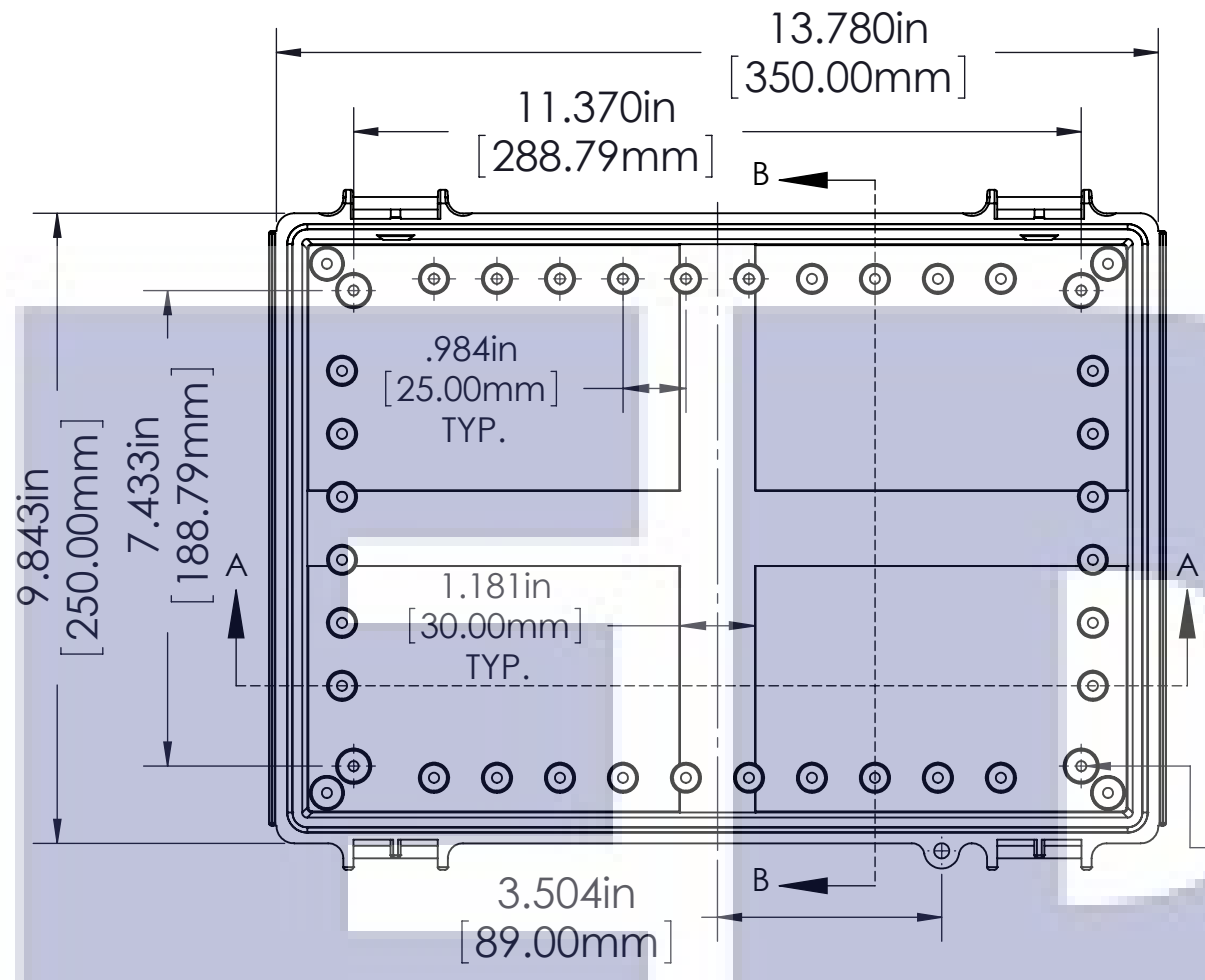


| MATERIAL | FLAMMABILITY RATING | CONTINUOUS OPERATING TEMP. |
|----------------|-----------------------|--------------------------------|
| ABS | UL94-HB | -40°C ~ +60°C / -40°F ~ 140°F |
| CLEAR PC | UL94-V0 UV STABILIZED | -40°C ~ +130°C / -40°F ~ 266°F |
| ABS / PC BLEND | UL94-5VA | -40°C ~ +85°C / -40°F ~ 185°F |
| PBT / PC BLEND | UL94-5VA + UV (f1) | -40°C ~ +75°C / -40°F ~ 167°F |

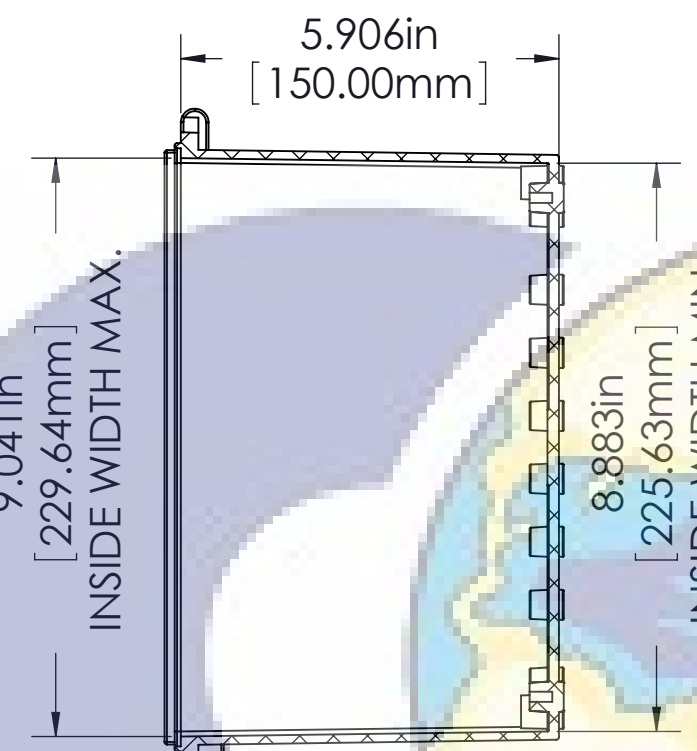
FINISH:
 BODY _____ LIGHT GRAY
 COVER _____ LIGHT GRAY OR CLEAR
 LATCHES & HINGES _____ PLASTIC
 WALL MOUNTING BRACKETS _____ STAINLESS STEEL & HARDWARE

COVER



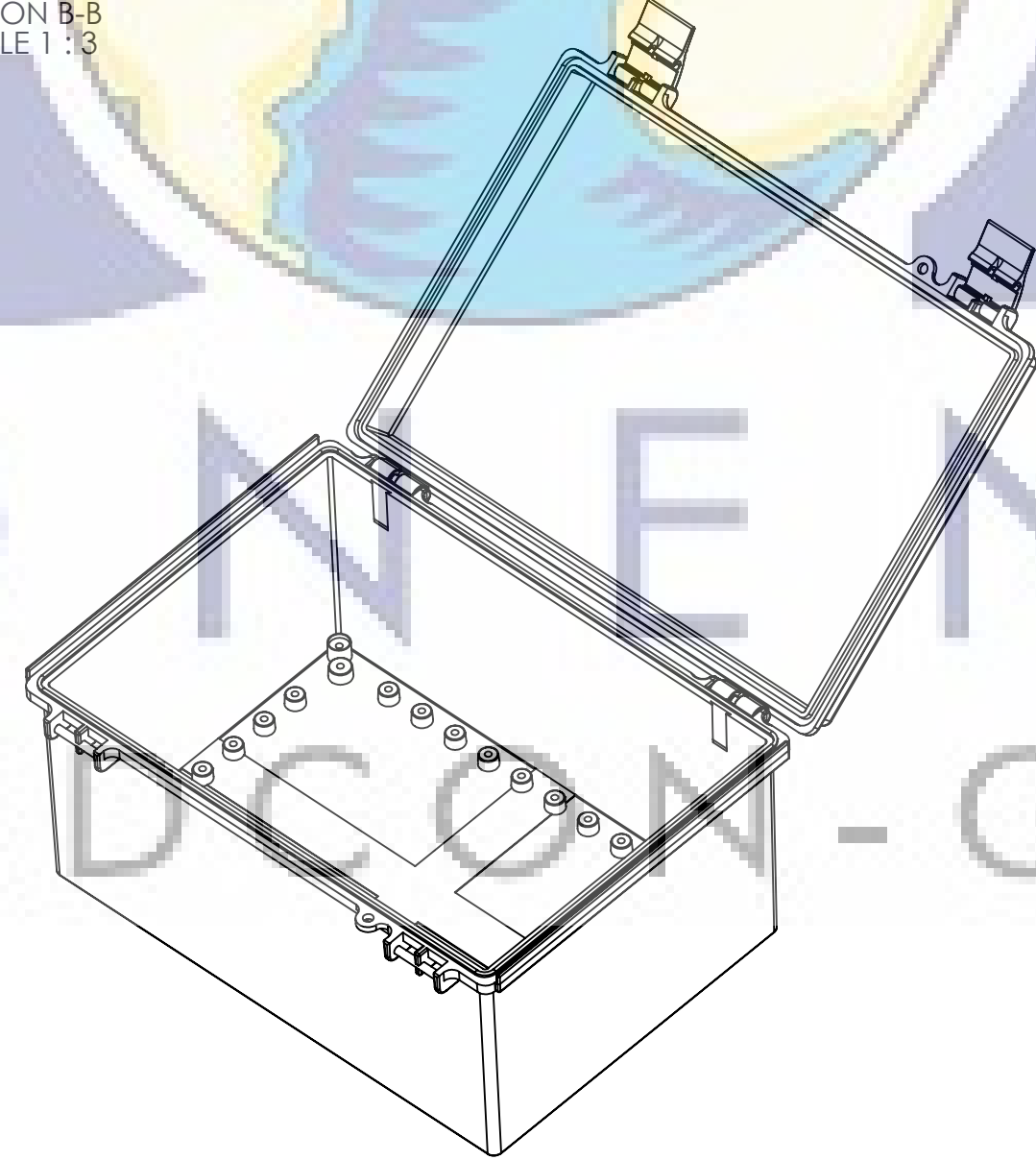
BODY

Ø.157in [4.00mm]
 FOR M5 x 10mm LG. SELF-TAPPING SCREWS (ABS VERSIONS ONLY)
 M5 THREADED INSERTS ON ALL OTHER VERSIONS
 USE M5 x 8mm LG. MACHINE SCREWS.



ASSEMBLY

SCALE 1:4

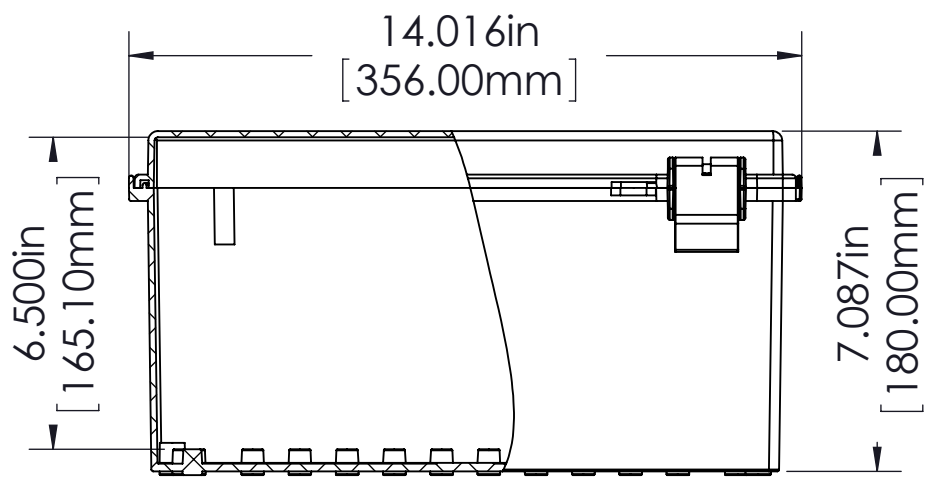
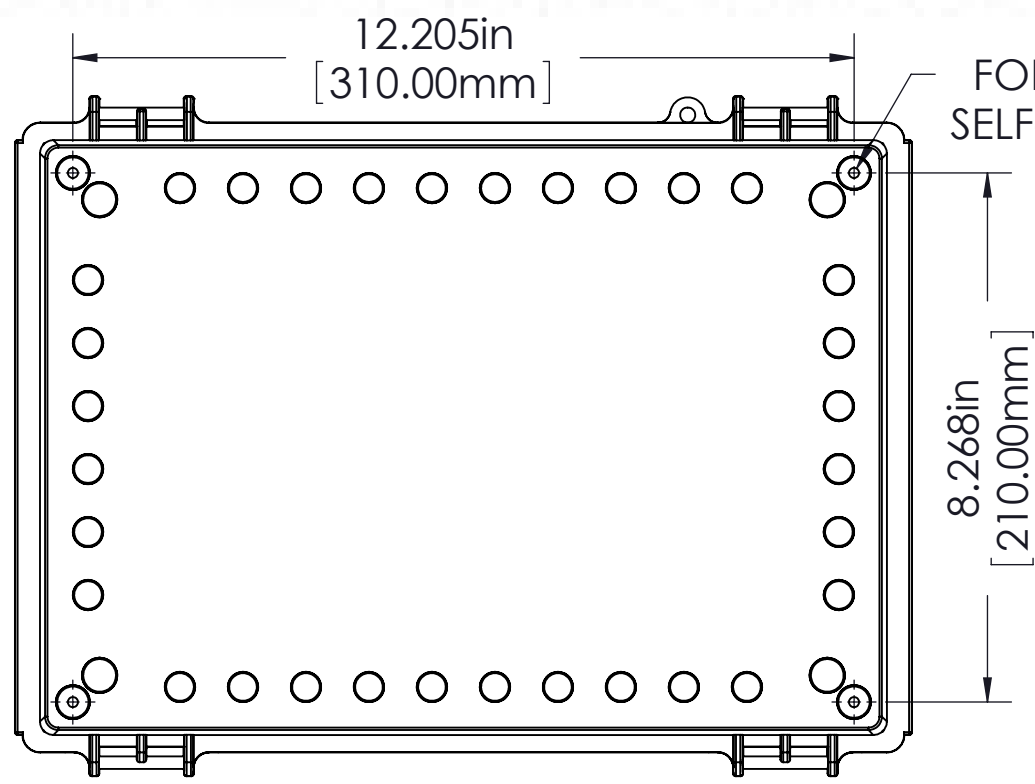
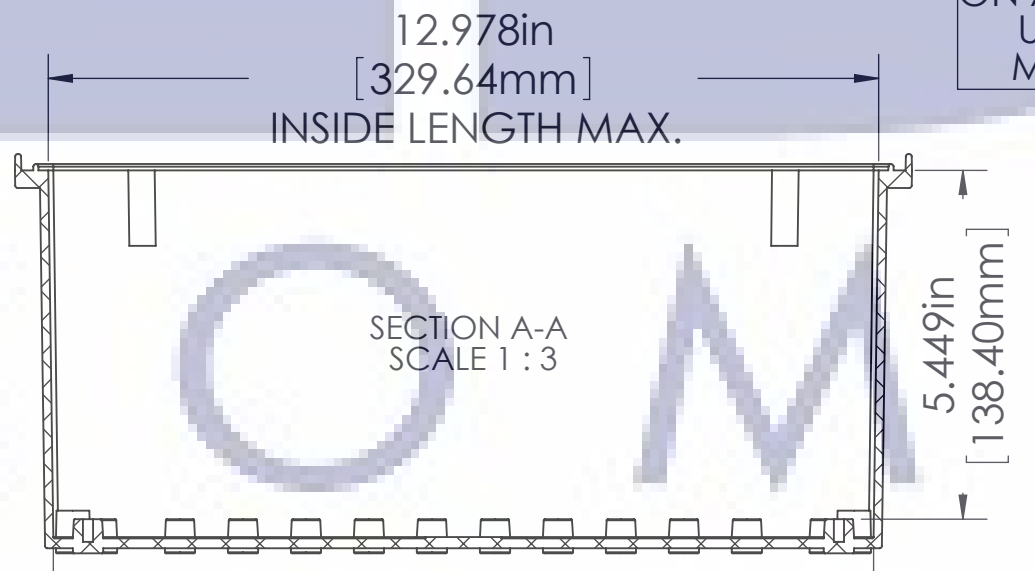


NOTES:

- UNIT COMES COMPLETE WITH (4) WALL MOUNTING BRACKETS & (4) M5 x 10mm LG. SELF-TAPPING SCREWS. (NOT SHOWN)
- BOXES DESIGNED TO MEET FOLLOWING STANDARDS: NEMA 1,2,4,4X, AND IEC529-IP65 REQUIREMENTS.

TOLERANCE:

ALL DIMENSIONS HAVE ±0.039in [±1mm] TOLERANCE UNLESS OTHERWISE SPECIFIED.



| PART NO. | MATERIAL | | USE |
|---------------|----------|----------|---------|
| | BODY | COVER | |
| EN-AG-2535-B | ABS | ABS | INDOOR |
| EN-AT-2535-B | ABS | CLEAR PC | INDOOR |
| EN-PG-2535-B | ABS / PC | ABS / PC | INDOOR |
| EN-PT-2535-B | ABS / PC | CLEAR PC | INDOOR |
| EN-PCG-2535-B | PBT / PC | PBT / PC | OUTDOOR |
| EN-PCT-2535-B | PBT / PC | CLEAR PC | OUTDOOR |

EDCON-COMPONENTS



Ordering Informations

| Serie | Material Body | Color Body | Material Cover | Color Cover | ROHS | Packing | | | | |
|---------------|----------------------------------|-----------------------|----------------------------------|-----------------------|------------------------|-----------------------------------|--|--|--|--|
| H37013 | AB | LG | AB | LG | R | CA | | | | |
| | AB= Material ABS | LG= Light gray | AB= Material ABS | LG= Light gray | R= ROHS Conform | CA= Standard Export Carton | | | | |
| | PC= Material Polycarbonat | | PC= Material Polycarbonat | CL= Clear | | | | | | |

| |
|-----------------------------|
| Enclosure Order Code |
| Part No.: |
| Customer: |

| | | | | | | | | | |
|-------|--------|------|--------|--------|--------|-----------|-----------|------|--|
| DRW: | Jason | CHKD | Wilson | MATL: | Wilson | TOLERANCE | Mason | DATE | |
| APPD: | Schumi | | | FINISH | Jamy | | Sheet No. | | |