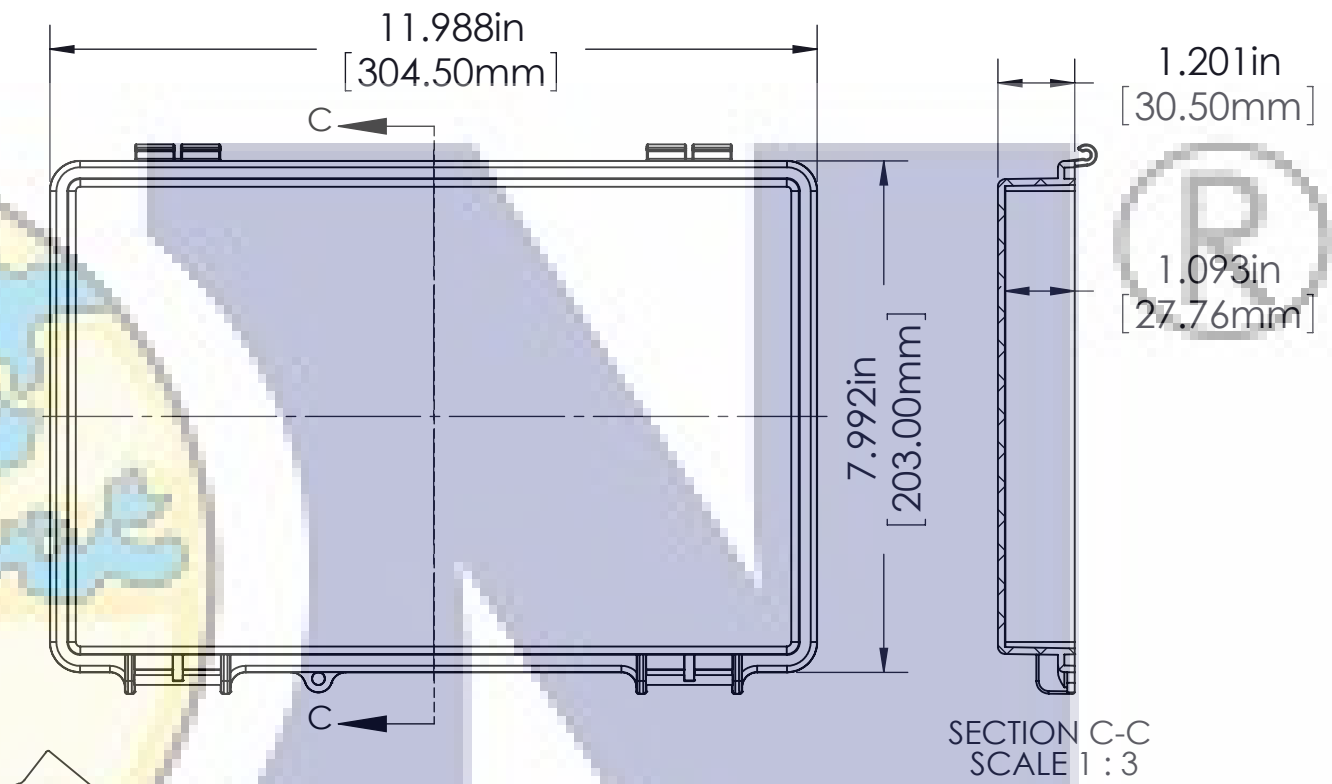
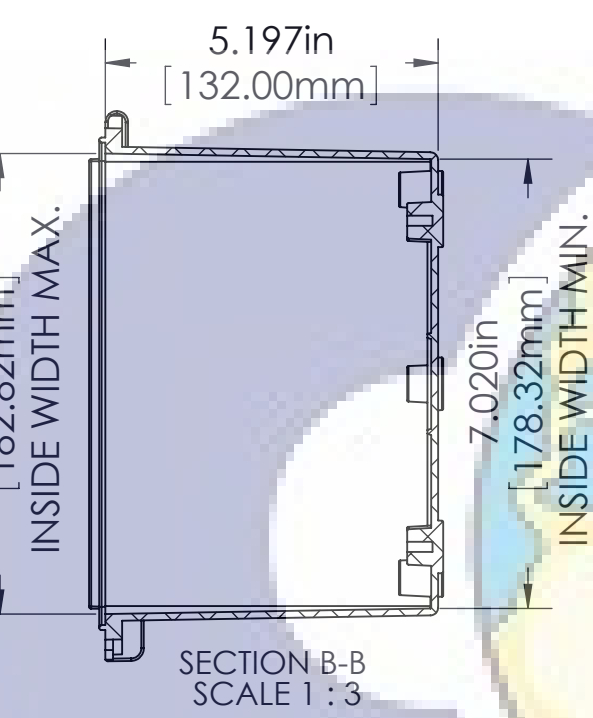
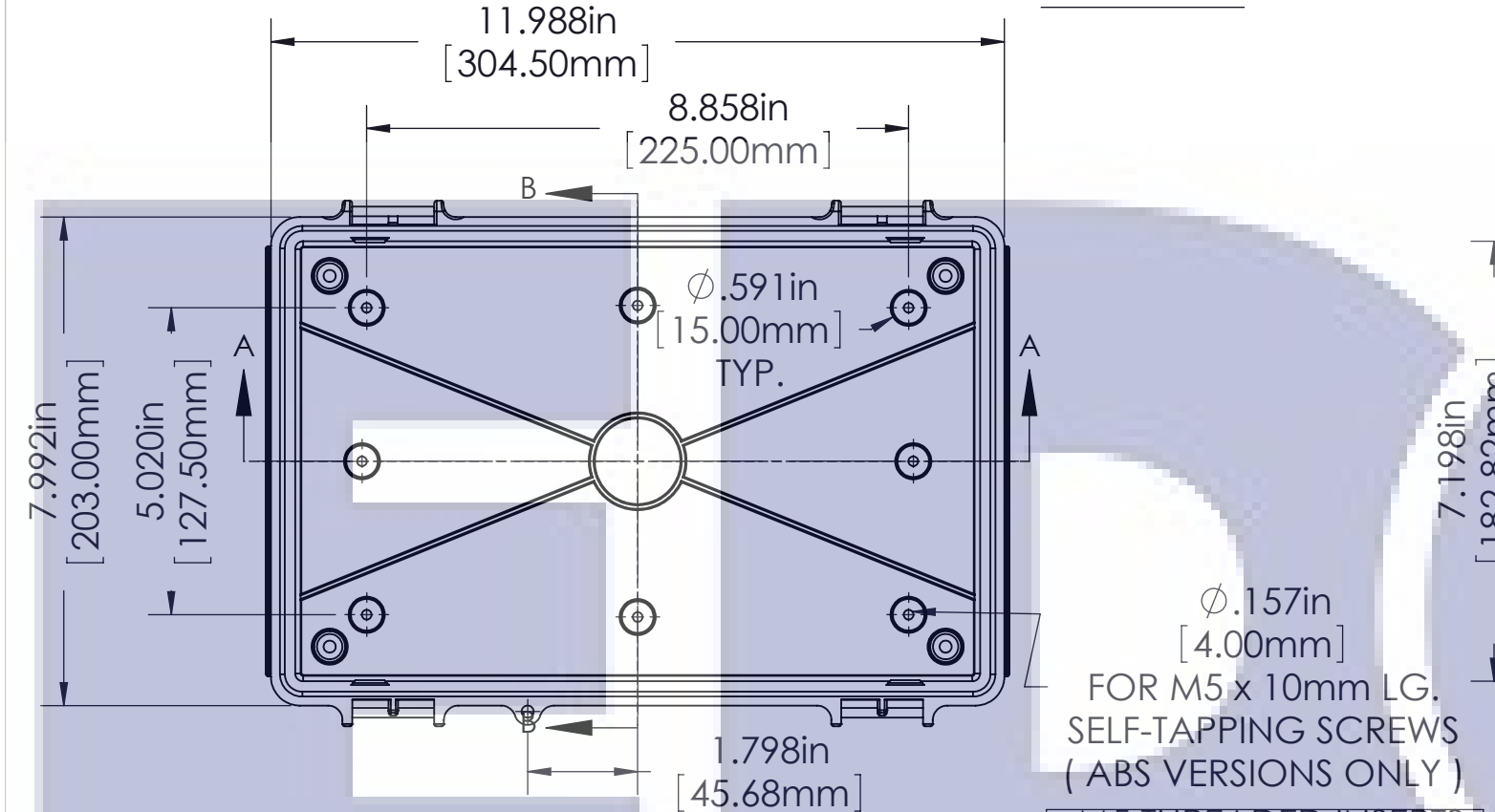


| MATERIAL       | FLAMMABILITY RATING   | CONTINUOUS OPERATING TEMP.     |
|----------------|-----------------------|--------------------------------|
| ABS            | UL94-HB               | -40°C ~ +60°C / -40°F ~ 140°F  |
| CLEAR PC       | UL94-V0 UV STABILIZED | -40°C ~ +130°C / -40°F ~ 266°F |
| ABS / PC BLEND | UL94-5VA              | -40°C ~ +85°C / -40°F ~ 185°F  |
| PBT / PC BLEND | UL94-5VA + UV (f1)    | -40°C ~ +75°C / -40°F ~ 167°F  |

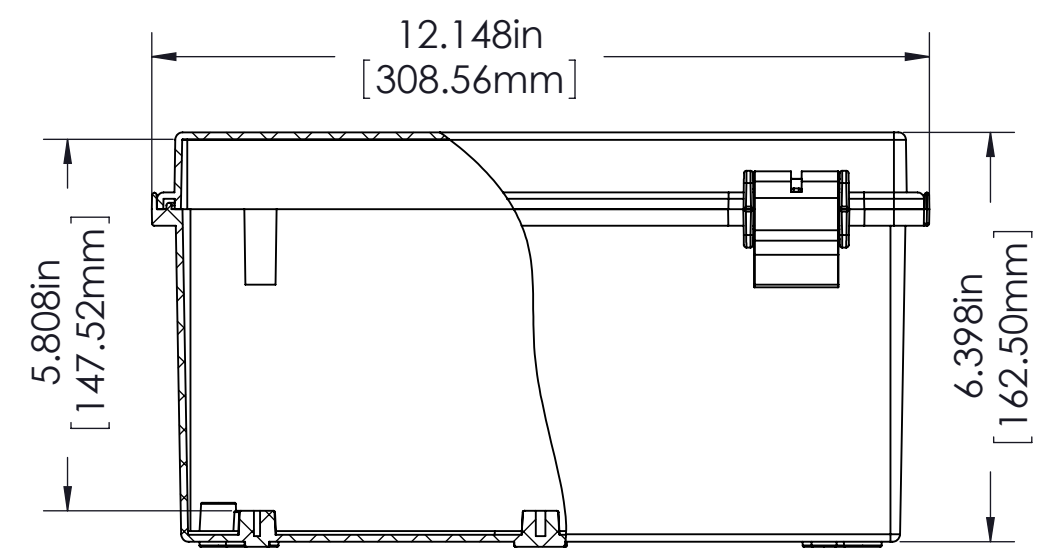
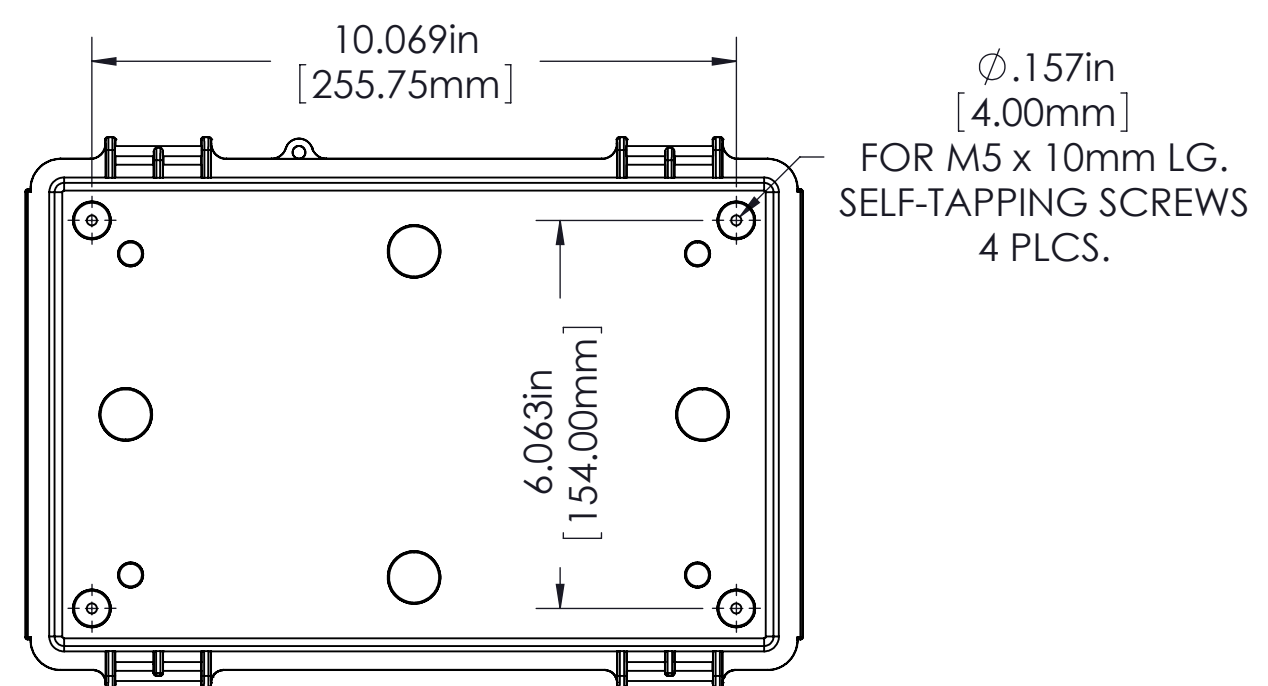
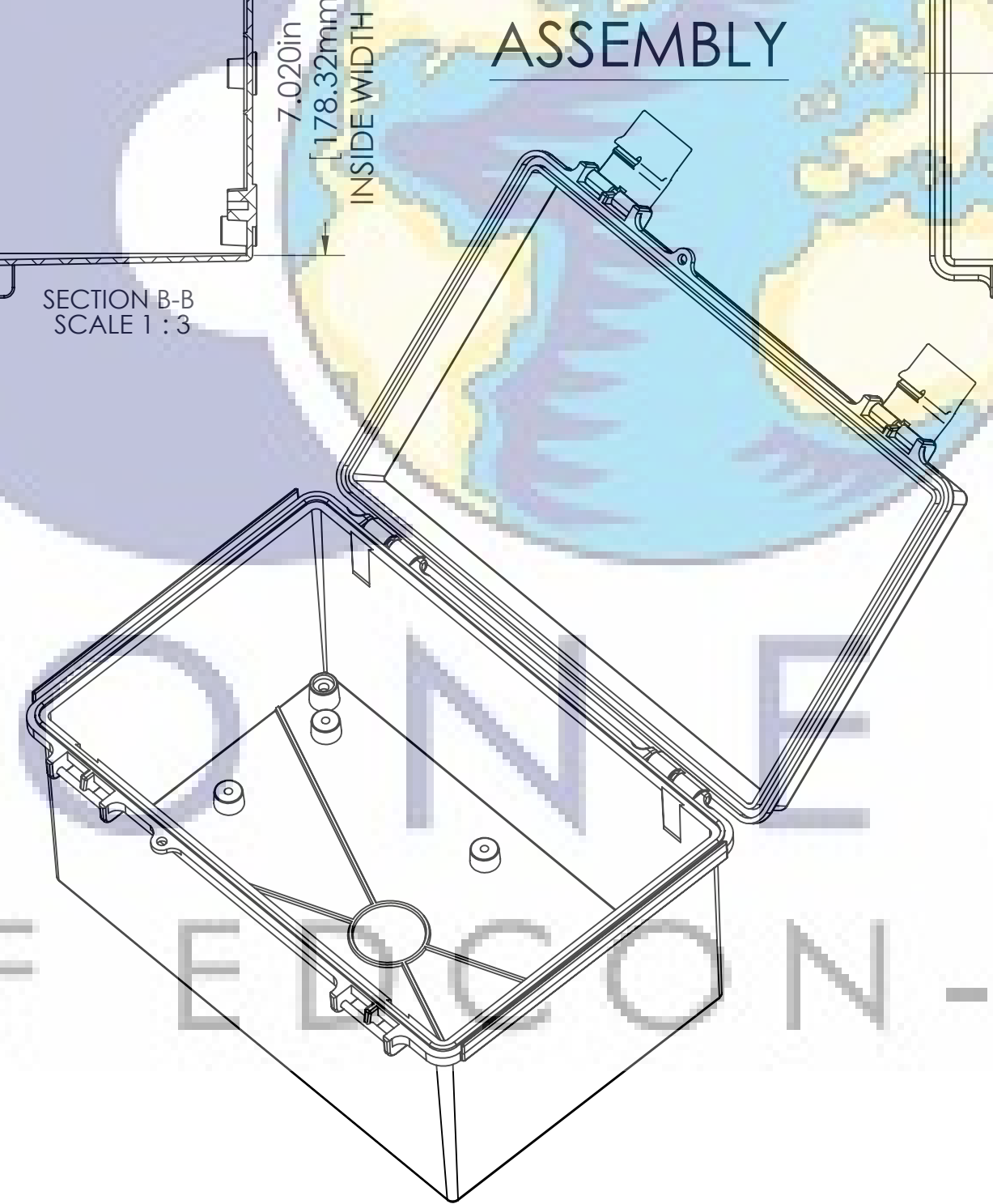
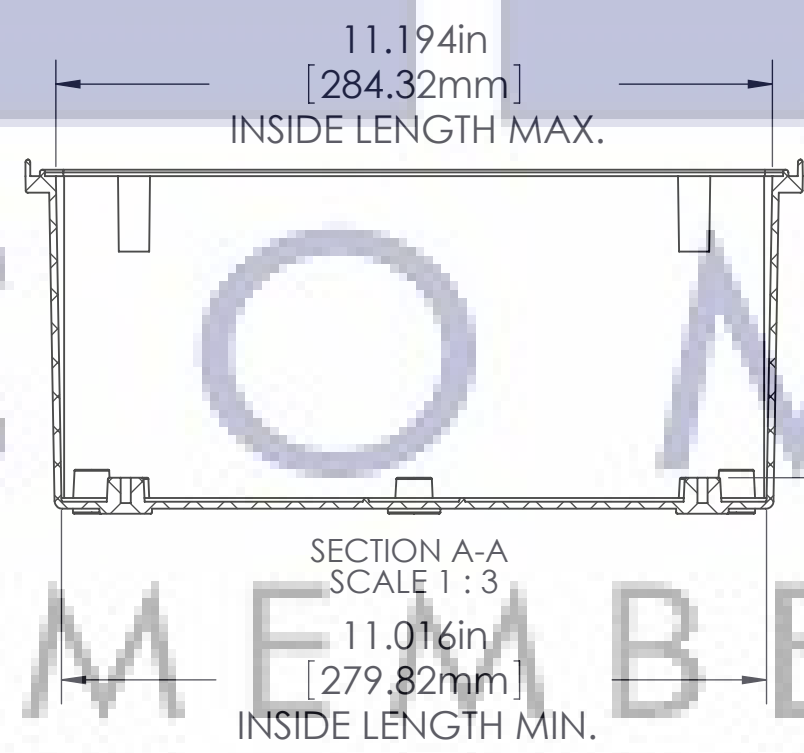
FINISH:  
 BODY \_\_\_\_\_ LIGHT GRAY  
 COVER \_\_\_\_\_ LIGHT GRAY OR CLEAR  
 LATCHES & HINGES \_\_\_\_\_ PLASTIC  
 WALL MOUNTING BRACKETS \_\_\_\_\_ STAINLESS STEEL & HARDWARE

**BODY**

**COVER**



Ø.157in [4.00mm]  
 FOR M5 x 10mm LG. SELF-TAPPING SCREWS (ABS VERSIONS ONLY)  
 M5 THREADED INSERTS ON ALL OTHER VERSIONS USE M5 x 8mm LG. MACHINE SCREWS.



NOTES:

- 1) UNIT COMES COMPLETE WITH (4) WALL MOUNTING BRACKETS & (4) M5 x 10mm LG. SELF-TAPPING SCREWS. (NOT SHOWN)
- 2) BOXES DESIGNED TO MEET FOLLOWING STANDARDS: NEMA 1,2,4,4X, AND IEC529-IP65 REQUIREMENTS.

TOLERANCE:

ALL DIMENSIONS HAVE ±0.039in [±1mm] TOLERANCE UNLESS OTHERWISE SPECIFIED.

| PART NO.    | MATERIAL |          | USE     |
|-------------|----------|----------|---------|
|             | BODY     | COVER    |         |
| EN-AG-2030  | ABS      | ABS      | INDOOR  |
| EN-AT-2030  | ABS      | CLEAR PC | INDOOR  |
| EN-PG-2030  | ABS / PC | ABS / PC | INDOOR  |
| EN-PT-2030  | ABS / PC | CLEAR PC | INDOOR  |
| EN-PCG-2030 | PBT / PC | PBT / PC | OUTDOOR |
| EN-PCT-2030 | PBT / PC | CLEAR PC | OUTDOOR |

# EDCON-COMPONENTS



## Ordering Informations

| Serie         | Material Body                    | Color Body            | Material Cover                   | Color Cover           | ROHS                   | Packing                           |  |  |  |  |
|---------------|----------------------------------|-----------------------|----------------------------------|-----------------------|------------------------|-----------------------------------|--|--|--|--|
| <b>H37008</b> | <b>AB</b>                        | <b>LG</b>             | <b>AB</b>                        | <b>LG</b>             | <b>R</b>               | <b>CA</b>                         |  |  |  |  |
|               | <b>AB= Material ABS</b>          | <b>LG= Light gray</b> | <b>AB= Material ABS</b>          | <b>LG= Light gray</b> | <b>R= ROHS Conform</b> | <b>CA= Standard Export Carton</b> |  |  |  |  |
|               | <b>PC= Material Polycarbonat</b> |                       | <b>PC= Material Polycarbonat</b> | <b>CL= Clear</b>      |                        |                                   |  |  |  |  |

|                             |
|-----------------------------|
| <b>Enclosure Order Code</b> |
| Part No.:                   |
| Customer:                   |

|       |        |      |        |        |        |           |           |      |  |
|-------|--------|------|--------|--------|--------|-----------|-----------|------|--|
| DRW:  | Jason  | CHKD | Wilson | MATL:  | Wilson | TOLERANCE | Mason     | DATE |  |
| APPD: | Schumi |      |        | FINISH | Jamy   |           | Sheet No. |      |  |