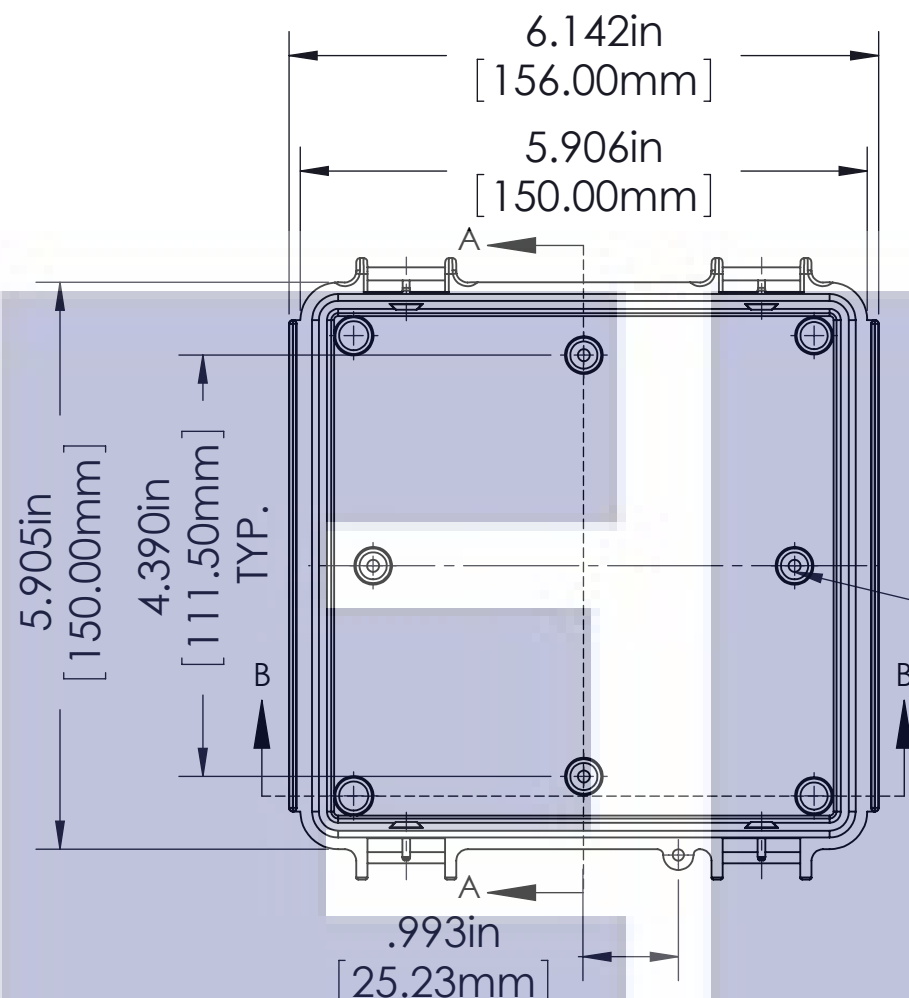


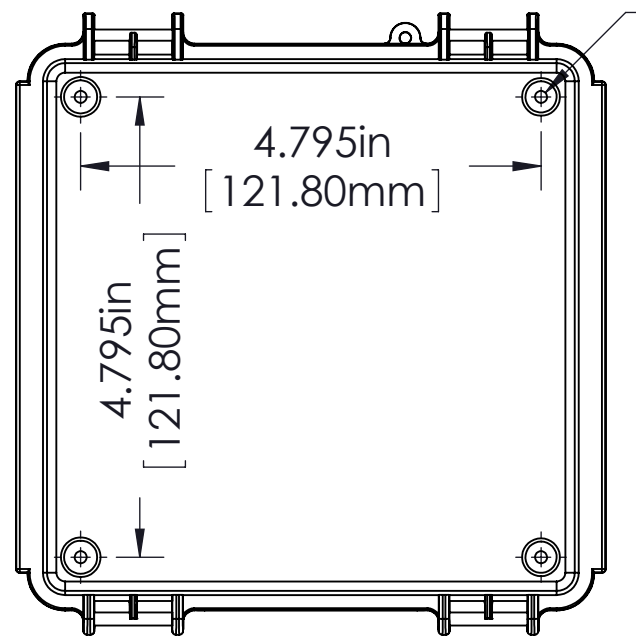
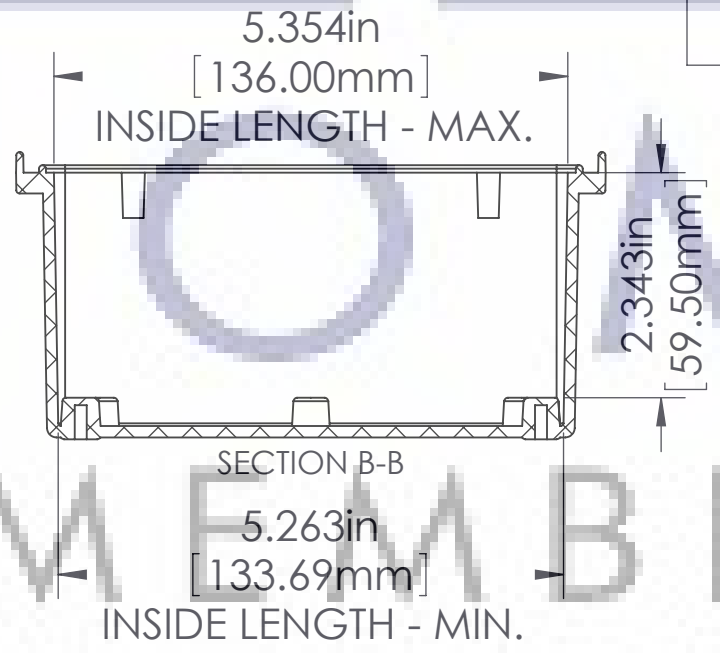
PART NAME <b>ECONOMY BOX</b>		PART No.	EN-000-1515 (REPLACE "000" WITH MATERIAL TYPE. SEE CHART BELOW.)	REVISION DATE	8/23/2010
MATERIAL	FLAMMABILITY RATING	CONTINUOUS OPERATING TEMP.		FINISH: BODY _____ LIGHT GRAY COVER _____ LIGHT GRAY OR CLEAR LATCHES & HINGES _____ PLASTIC WALL MOUNTING BRACKETS__ STAINLESS STEEL & HARDWARE	
ABS	UL94-HB	-40°C ~ +60°C / -40°F ~ 140°F			
CLEAR PC	UL94-V0 UV STABILIZED	-40°C ~ +130°C / -40°F ~ 266°F			
ABS / PC BLEND	UL94-5VA	-40°C ~ +85°C / -40°F ~ 185°F			
PBT / PC BLEND	UL94-5VA + UV (f1)	-40°C ~ +75°C / -40°F ~ 167°F			

## BODY

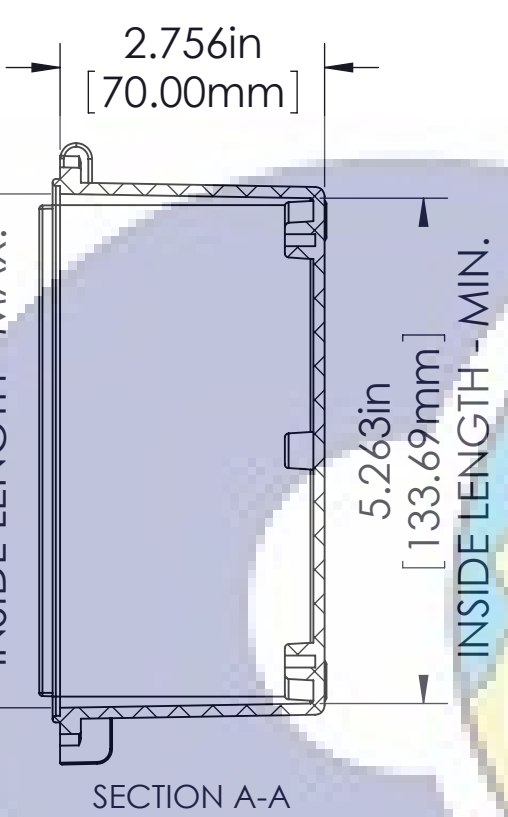


Ø.126in [3.20mm]  
FOR M4 x 10mm LG. SELF-TAPPING SCREWS  
4 PLCS.  
(ABS VERSIONS ONLY)

M4 THREADED INSERTS  
ON ALL OTHER VERSIONS  
USE M4 x 8mm LG. MACHINE SCREWS.  
2 PLCS.

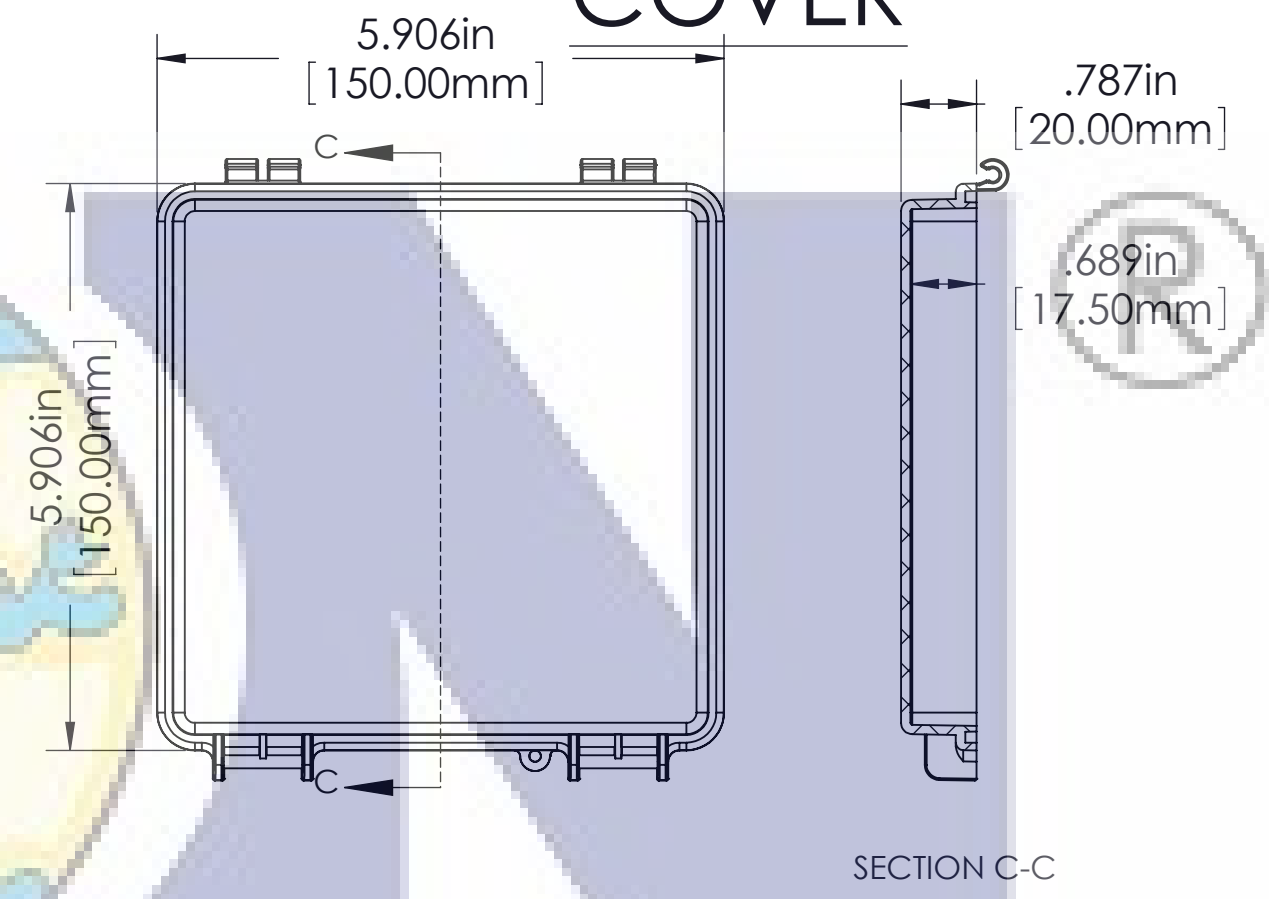


Ø.126in [3.20mm]  
FOR M4 x 10mm LG. SELF-TAPPING SCREWS  
4 PLCS.

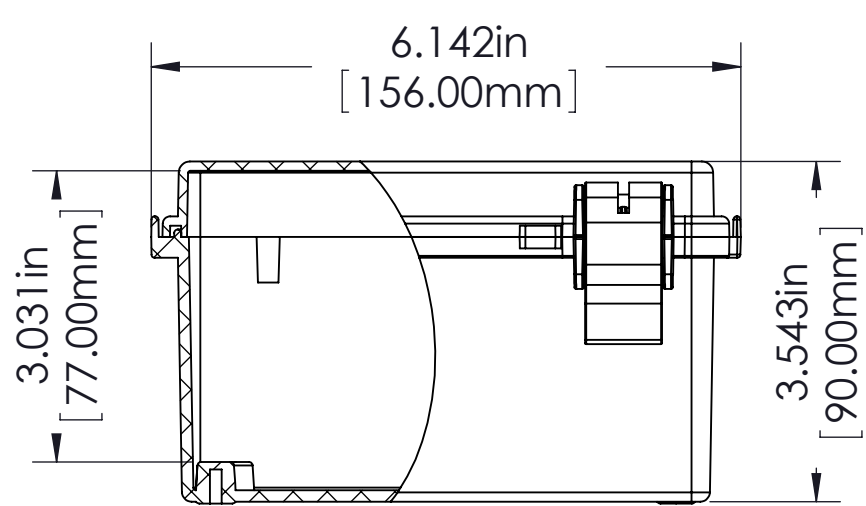
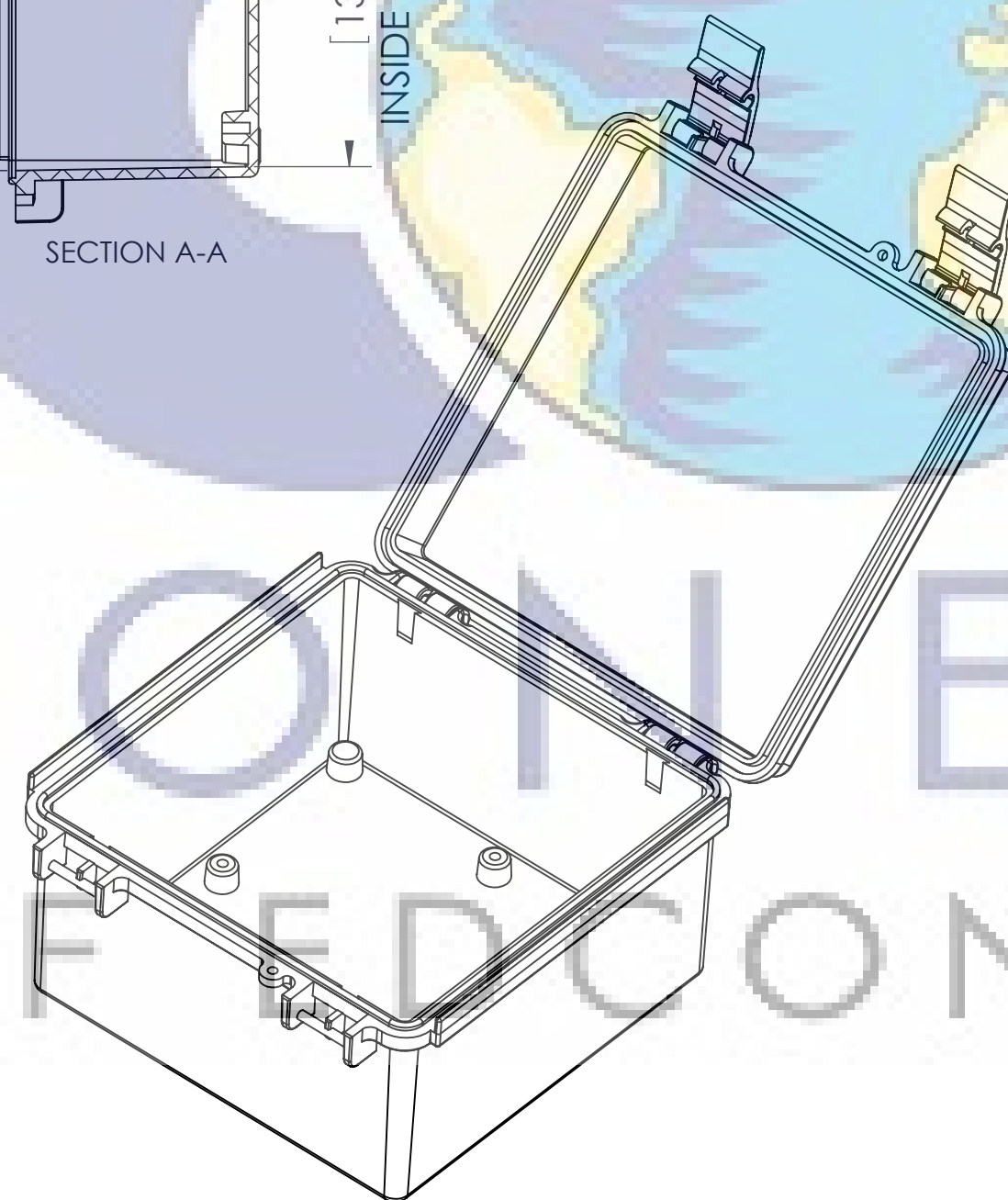


5.354in [136.00mm] INSIDE LENGTH - MAX.  
5.263in [133.69mm] INSIDE LENGTH - MIN.

## COVER



## ASSEMBLY



### NOTES:

- UNIT COMES COMPLETE WITH: (4) WALL MOUNTING BRACKETS & (4) M4 x 10mm LG. SELF-TAPPING SCREWS. (NOT SHOWN)
- BOXES DESIGNED TO MEET FOLLOWING STANDARDS: NEMA 1,2,4,4X, AND IEC529-IP65 REQUIREMENTS.

### TOLERANCES:

ALL DIMENSIONS HAVE ±0.039in [±1mm] TOLERANCE UNLESS OTHERWISE SPECIFIED.

PART NO.	MATERIAL		USE
	BODY	COVER	
EN-AG-1515	ABS	ABS	INDOOR
EN-AT-1515	ABS	CLEAR PC	INDOOR
EN-PG-1515	ABS / PC	ABS / PC	INDOOR
EN-PT-1515	ABS / PC	CLEAR PC	INDOOR
EN-PCG-1515	PBT / PC	PBT / PC	OUTDOOR
EN-PCT-1515	PBT / PC	CLEAR PC	OUTDOOR

# EDCON-COMPONENTS



## Ordering Informations

Serie	Material Body	Color Body	Material Cover	Color Cover	ROHS	Packing				
<b>H37005</b>	<b>AB</b>	<b>LG</b>	<b>AB</b>	<b>LG</b>	<b>R</b>	<b>CA</b>				
	<b>AB= Material ABS</b>	<b>LG= Light gray</b>	<b>AB= Material ABS</b>	<b>LG= Light gray</b>	<b>R= ROHS Conform</b>	<b>CA= Standard Export Carton</b>				
	<b>PC= Material Polycarbonat</b>		<b>PC= Material Polycarbonat</b>	<b>CL= Clear</b>						

<b>Enclosure Order Code</b>
Part No.:
Customer:

DRW:	Jason	CHKD	Wilson	MATL:	Wilson	TOLERANCE	Mason	DATE	
APPD:	Schumi			FINISH	Jamy		Sheet No.		