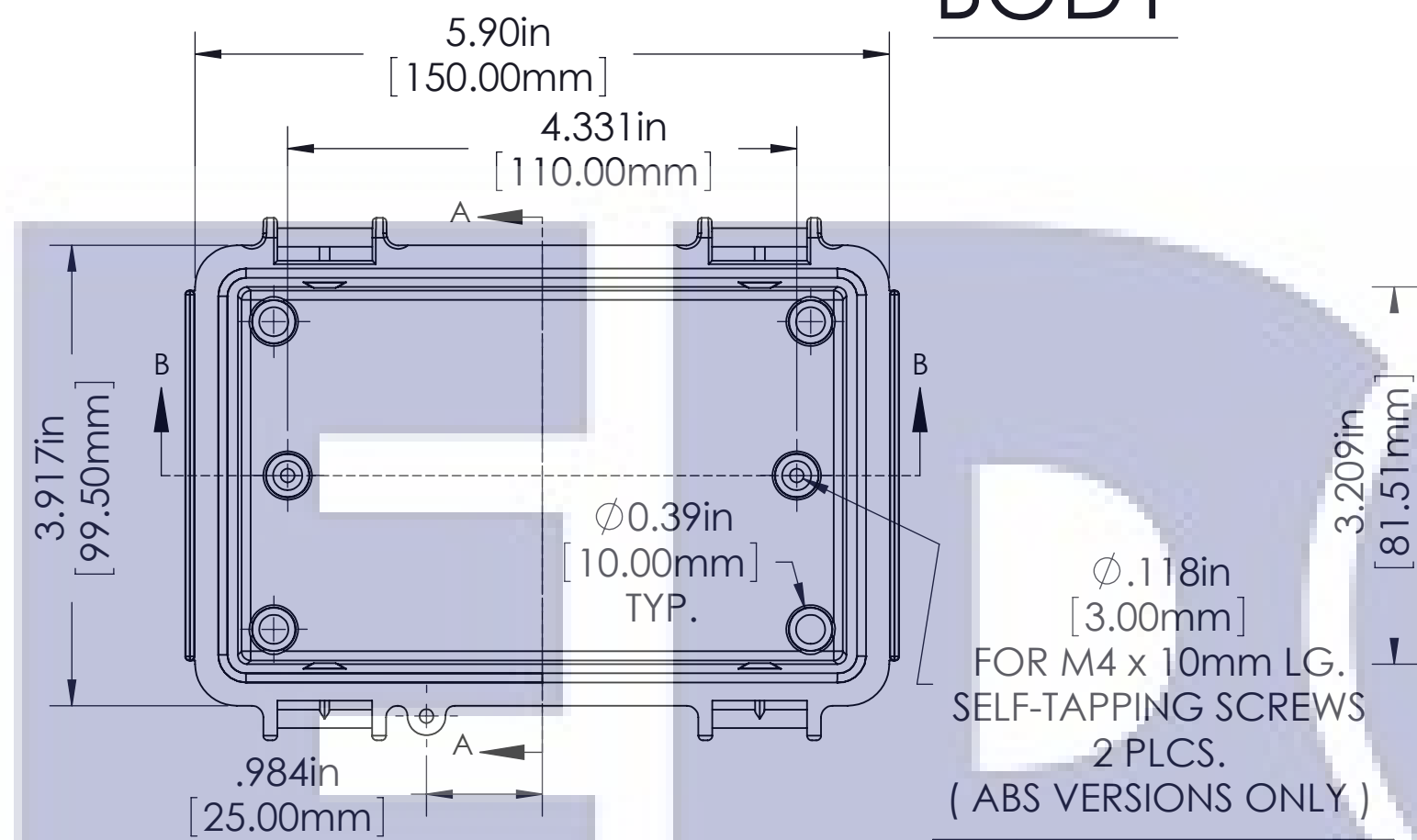


PART NAME	ECONOMY BOX		PART No.
MATERIAL	FLAMMABILITY RATING	CONTINUOUS OPERATING TEMP.	
ABS	UL94-HB	-40°C ~ +60°C / -40°F ~ 140°F	
CLEAR PC	UL94-V0 UV STABILIZED	-40°C ~ +130°C / -40°F ~ 266°F	
ABS / PC BLEND	UL94-5VA	-40°C ~ +85°C / -40°F ~ 185°F	
PBT / PC BLEND	UL94-5VA + UV (f1)	-40°C ~ +75°C / -40°F ~ 167°F	

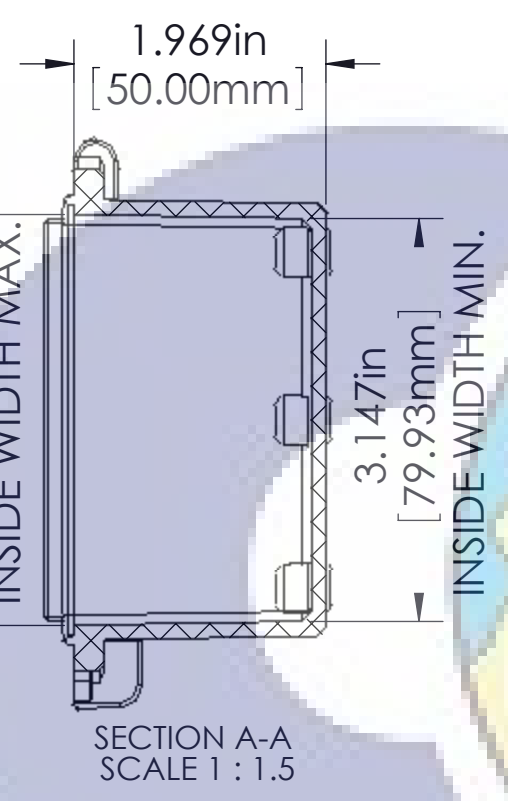
EN-000-1015 (REPLACE "000" WITH MATERIAL TYPE. SEE CHART BELOW.) REVISION DATE 8/23/2010

FINISH:
 BODY _____ LIGHT GRAY
 COVER _____ LIGHT GRAY OR CLEAR
 LATCHES & HINGES _____ PLASTIC
 WALL MOUNTING BRACKETS _____ STAINLESS STEEL & HARDWARE

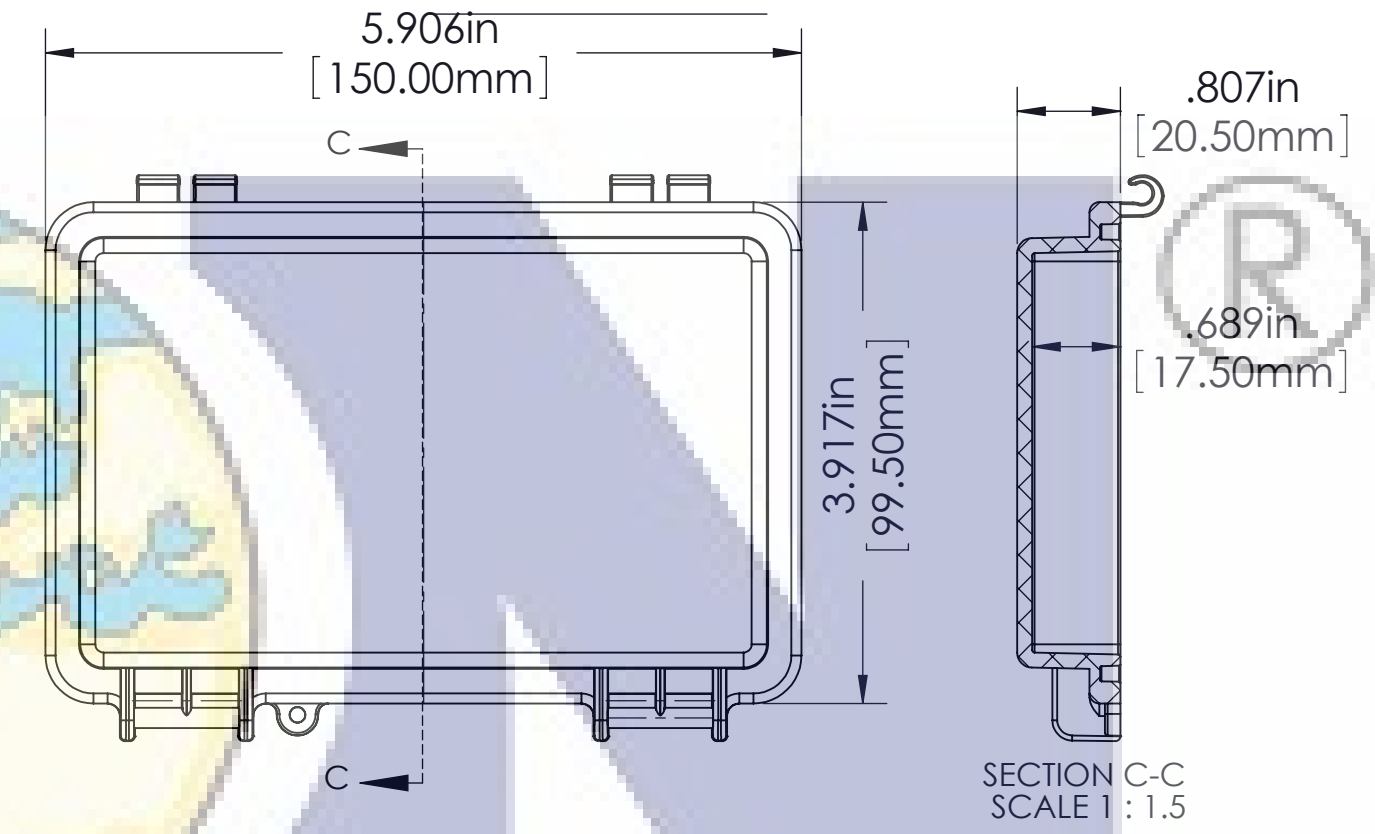
BODY



Ø.118in [3.00mm]
 FOR M4 x 10mm LG. SELF-TAPPING SCREWS 2 PLCS.
 (ABS VERSIONS ONLY)
 M4 THREADED INSERTS ON ALL OTHER VERSIONS USE M4 x 8mm LG. MACHINE SCREWS. 2 PLCS.

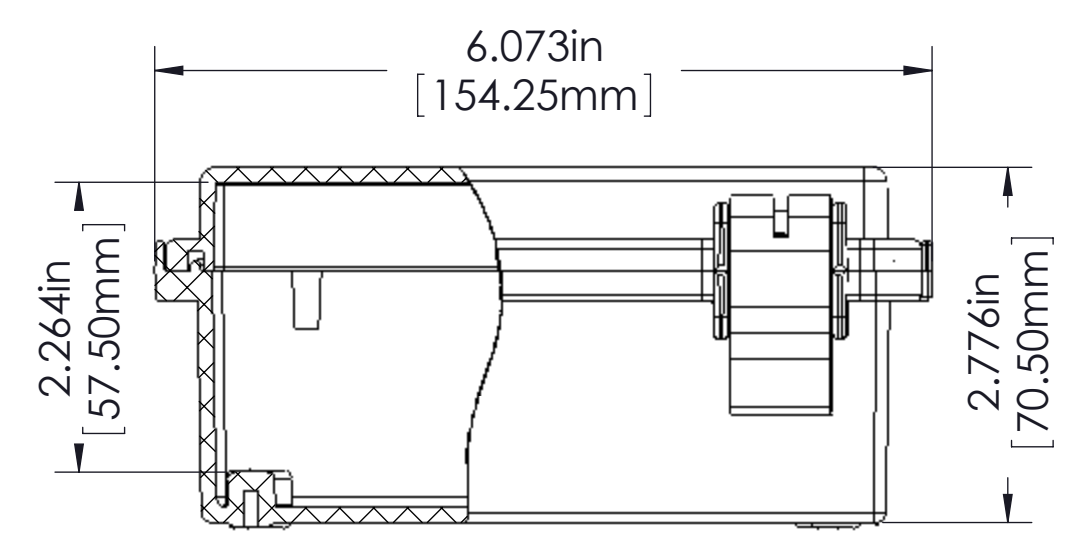
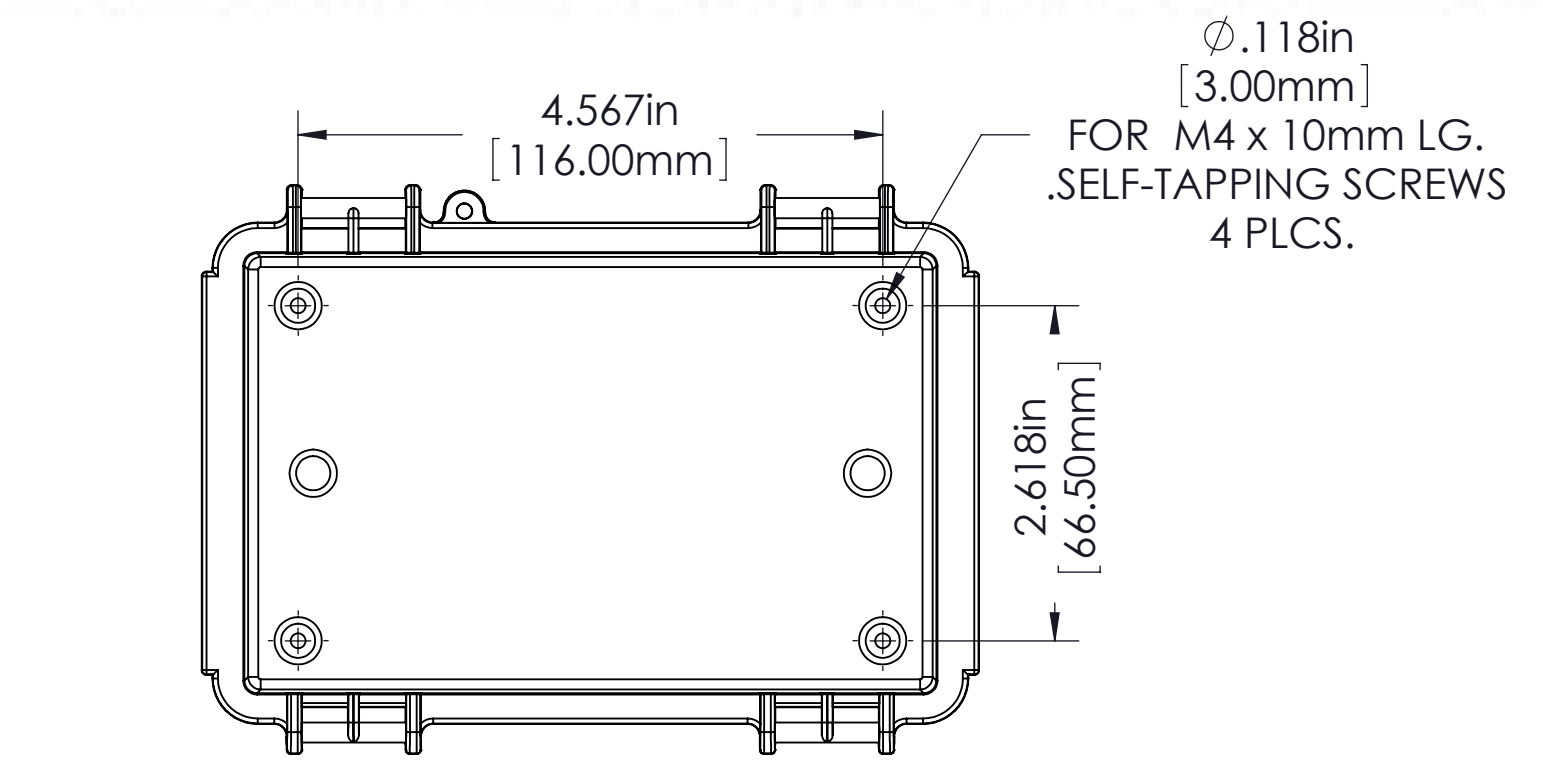
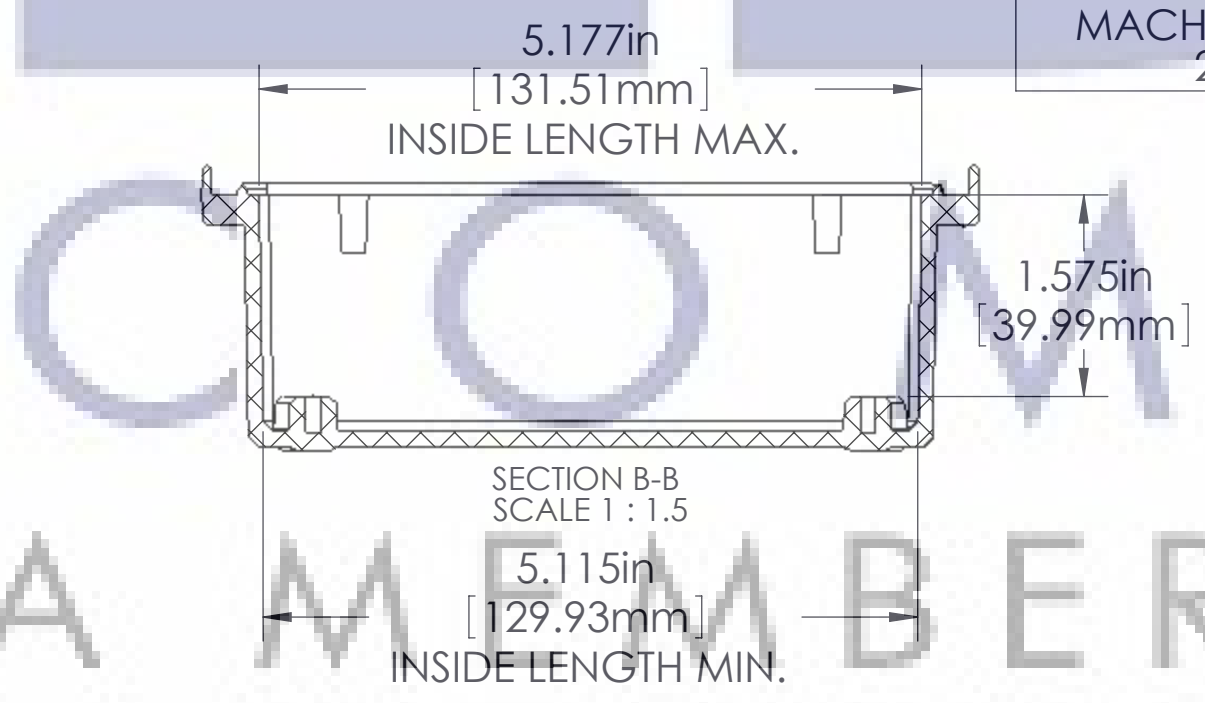
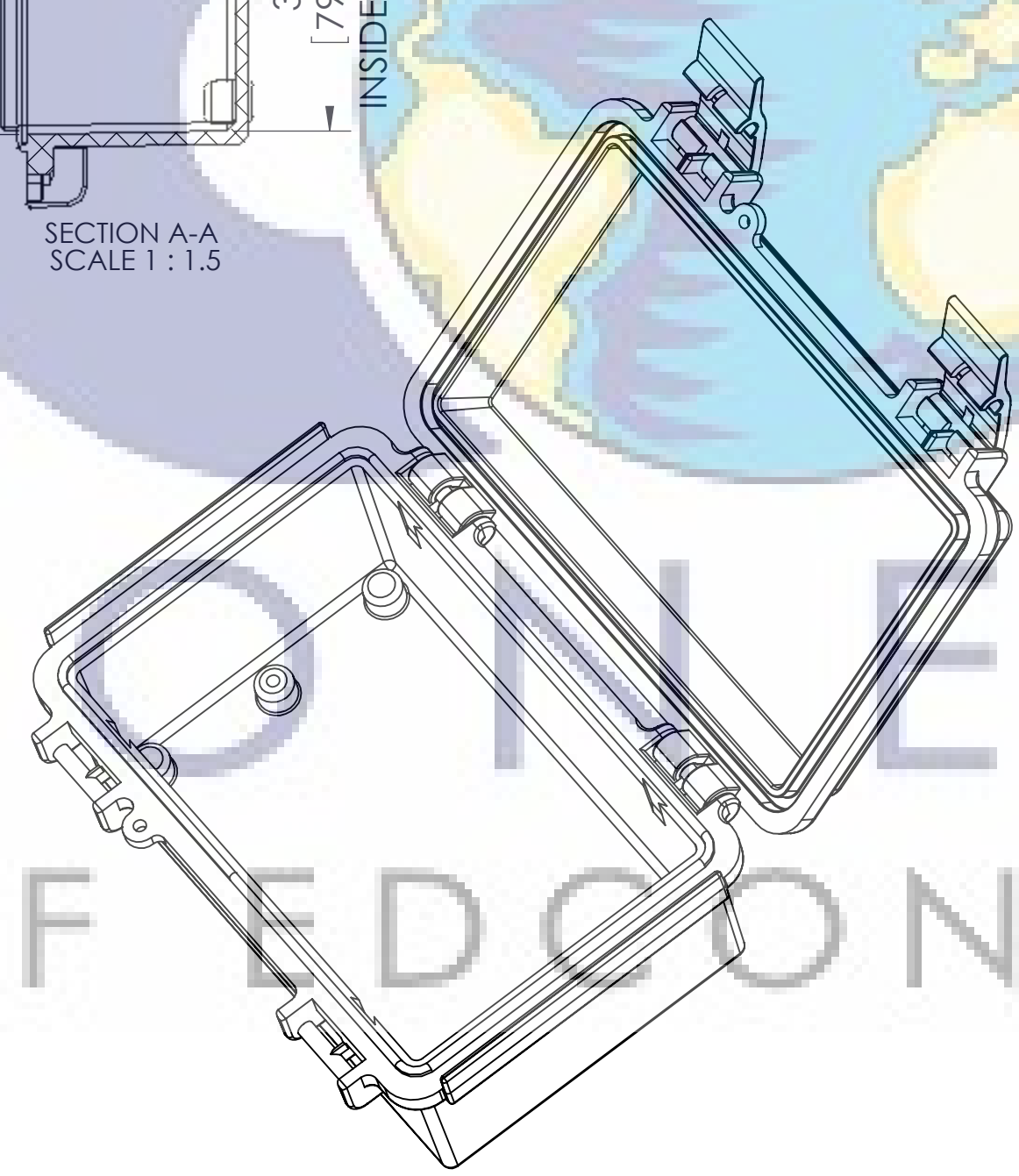


COVER



SECTION C-C SCALE 1:1.5

ASSEMBLY



NOTES:
 1) UNIT COMES COMPLETE WITH (4) WALL MOUNTING BRACKETS & (4) M4 x 10mm LG. SELF-TAPPING SCREWS. (NOT SHOWN)
 2) BOXES DESIGNED TO MEET FOLLOWING STANDARDS: NEMA 1,2,4,4X AND IEC529-IP65 REQUIREMENTS.
 TOLERANCES:
 ALL DIMENSIONS HAVE ±0.039in. [±1mm] TOLERANCE UNLESS OTHERWISE SPECIFIED.

PART NO.	MATERIAL		USE
	BODY	COVER	
EN-AG-1015	ABS	ABS	INDOOR
EN-AT-1015	ABS	CLEAR PC	INDOOR
EN-PG-1015	ABS / PC	ABS / PC	INDOOR
EN-PT-1015	ABS / PC	CLEAR PC	INDOOR
EN-PCG-1015	PBT / PC	PBT / PC	OUTDOOR
EN-PCT-1015	PBT / PC	CLEAR PC	OUTDOOR

EDCON-COMPONENTS



Ordering Informations

Serie	Material Body	Color Body	Material Cover	Color Cover	ROHS	Packing				
H37003	AB	LG	AB	LG	R	CA				
	AB= Material ABS	LG= Light gray	AB= Material ABS	LG= Light gray	R= ROHS Conform	CA= Standard Export Carton				
	PC= Material Polycarbonat		PC= Material Polycarbonat	CL= Clear						

Enclosure Order Code
Part No.:
Customer:

DRW:	Jason	CHKD	Wilson	MATL:	Wilson	TOLERANCE	Mason	DATE	
APPD:	Schumi			FINISH	Jamy		Sheet No.		