

# Data Sheet

## Transformer Terminal Block

**Pitch: 7,50 mm**

**Serie: A36005**

### Customer Information for special Item

**EDCON Customer : 0**

**Customer Version No. : 0**

# EDCON-COMPONENTS



## Technical Discription

Electrical	cULus	IEC
Rated Voltage	300 Volt	750V
Rated Current	20A	41A
Withstanding Voltage	3,0KV	3,0KV
Wire Range		
Solid Wire	4mm <sup>2</sup>	
Stranged Wire	4mm <sup>2</sup>	
Insulation Resistance	5000MΩ / 1000V	

## Mechanical

Operating Temperature	-40°C ~ +115°C
Wire Strip Length	10~12mm

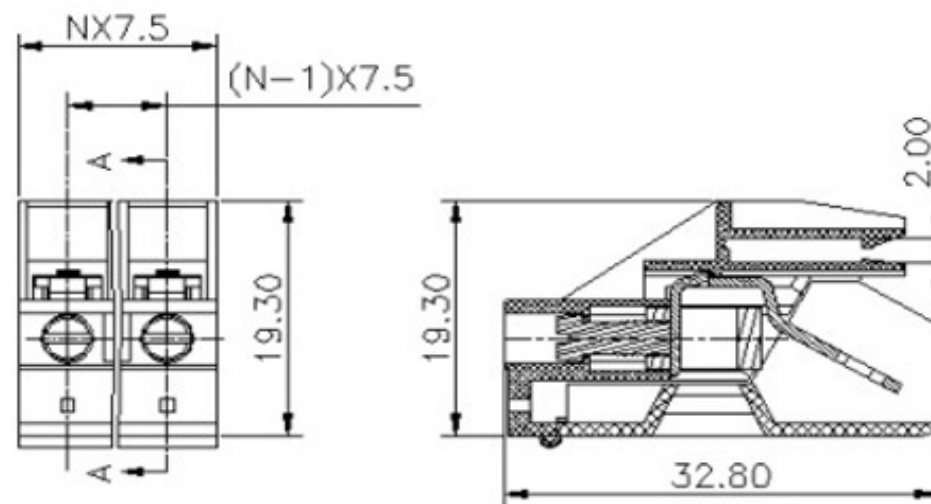
## Dimensions

Pitch (mm)	7,50
Poles	1 + 2Pos.

## Materials

1 Terminal Housing	PA66 UL94V-0
2 Cage	Brass Ni, plated
3 Contact	Copper Tin plated
4 Terminal screw	M4 Steel Cr <sup>3+</sup> Zn plated
5	

## Drawing (Dimension in mm)



### Transformer Terminal Block

Part No.: **A36005**

Customer:

DRW:	Jason	CHKD	Wilson	MATL:	Wilson	TOLERANCE	Mason	DATE	15.10.2015
APPD:	Schumi			FINISH	Jamy		Sheet No.	1 from 4	



# EDCON-COMPONENTS



## Ordering Informations

Serie	No. of Pos.	Body Color	No Function	Approval Code	ROHS	Packing	EDCON Cust. No.	Customer Version		
<b>A36005</b>	<b>02</b>	<b>OR</b>	<b>A</b>	<b>N</b>	<b>R</b>	<b>B</b>				

Pitch  
7,50

02= Number of Pos.		<b>A=</b> Slotted Screw Type (Standard)	<b>N=</b> NON Approval	<b>R=</b> ROHS Conform	<b>B=</b> Bulk-Ware	<b>xxxxxx=</b> Customer Number	<b>xxx=</b> Customer Version ??(Printing)
			<b>A=</b> UL /UR Approval Please consult EDCON for available	<b>N=</b> NON ROHS Conform			
		<b>B=</b> Cross Slotted Screw Type	<b>B=</b> VDE Approval Please consult EDCON for available				
				<b>C=</b> TÜV Approval Please consult EDCON for available			
	<b>OR=</b> Orange		<b>0=</b> NON Plastic Approval	<b>1=</b> UL for Plastic Approval			

<b>Transformer Terminal Block</b>	
Part No.:	<b>A36005</b>
Customer:	

DRW:	Jason	CHKD	Wilson	MATL:	Wilson	TOLERANCE	Mason	DATE	15.10.2015
APPD:	Schumi			FINISH	Jamy			Sheet No.	3 from 4



Soldering Profile Curve

Classification Reflow Profile (JEDEC J-STD-020C)



**Transformer Terminal Block**

Part No.: **A36005**

DRW:	Jason	CHKD	Wilson	MATL:	Wilson	TOLERANCE	Mason	DATE	15.10.2015
APPD:	Schumi			FINISH	Jamy		Sheet No.	4 from 4	Customer: