

Data Sheet

Transformer Terminal Block

Pitch: 7,50 mm

Serie: A36004

Customer Information for special Item

EDCON Customer : 0

Customer Version No. : 0

EDCON-COMPONENTS



Technical Discription

Electrical	cULus	IEC
Rated Voltage	300 Volt	750V
Rated Current	20A	41A
Withstanding Voltage	3,0KV	3,0KV
Wire Range		
Solid Wire	4mm ²	
Stranged Wire	4mm ²	
Insulation Resistance	5000MΩ / 1000V	

Mechanical

Operating Temperature	-40°C ~ +115°C
Wire Strip Length	10~12mm

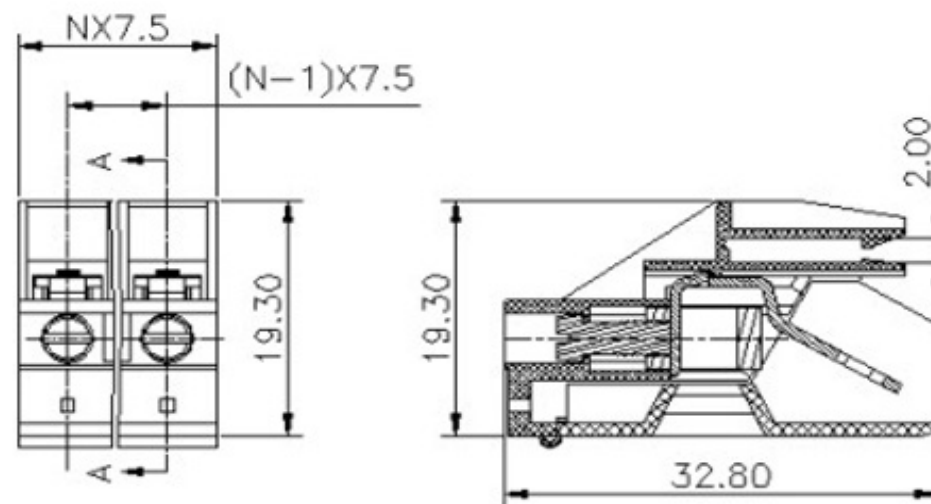
Dimensions

Pitch (mm)	7,50
Poles	1 + 2Pos.

Materials

1 Terminal Housing	PA66 UL94V-0
2 Cage	Brass Ni, plated
3 Contact	Copper Tin plated
4 Terminal screw	M4 Steel Cr ³⁺ Zn plated
5	

Drawing (Dimension in mm)



Transformer Terminal Block

Part No.: **A36004**

Customer:

DRW:	Jason	CHKD	Wilson	MATL:	Wilson	TOLERANCE	Mason	DATE	15.10.2015
APPD:	Schumi			FINISH	Jamy		Sheet No.		1 from 4



EDCON-COMPONENTS



Ordering Informations

Serie	No. of Pos.	Body Color	No Function	Approval Code	ROHS	Packing	EDCON Cust. No.	Customer Version		
A36004	01	OR	A	N	R	B				

Pitch
7,50

01= Number of Pos.		A= Slotted Screw Type (Standard)	N= NON Approval	R= ROHS Conform	B= Bulk-Ware	xxxxxx= Customer Number	xxx= Customer Version ??(Printing)
			A= UL /UR Approval Please consult EDCON for available	N= NON ROHS Conform			
		B= Cross Slotted Screw Type	B= VDE Approval Please consult EDCON for available				
	OR= Orange		C= TÜV Approval Please consult EDCON for available	0= NON Plastic Approval	1= UL for Plastic Approval		

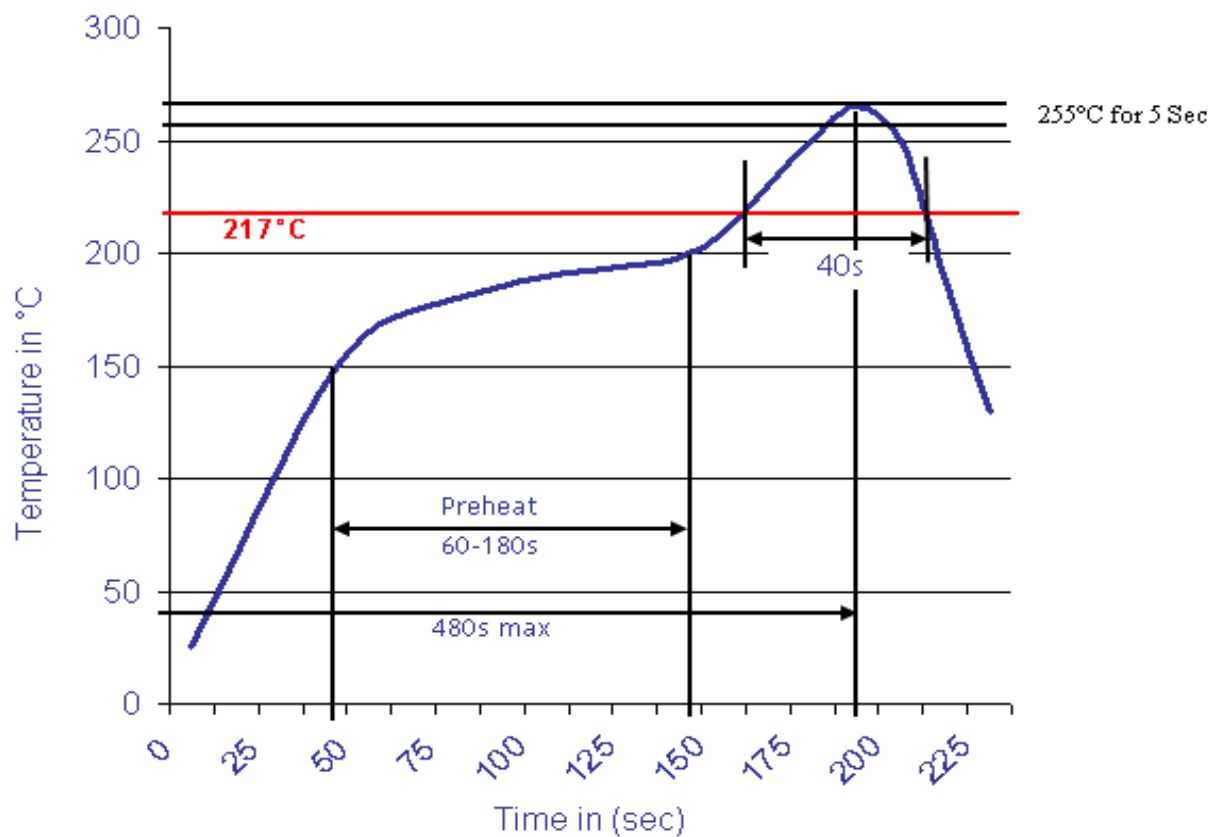
Transformer Terminal Block	
Part No.:	A36004
Customer:	

DRW:	Jason	CHKD	Wilson	MATL:	Wilson	TOLERANCE	Mason	DATE	15.10.2015
APPD:	Schumi			FINISH	Jamy			Sheet No.	3 from 4



Soldering Profile Curve

Classification Reflow Profile (JEDEC J-STD-020C)



Transformer Terminal Block	
Part No.:	A36004
Customer:	

DRW:	Jason	CHKD	Wilson	MATL:	Wilson	TOLERANCE	Mason	DATE	15.10.2015
APPD:	Schumi			FINISH	Jamy		Sheet No.	4 from 4	