

Data Sheet

Pluggable Terminal Block (Plug)

Pitch: 5,00 mm

Serie: A14L100

Customer Information for special Item

EDCON Customer : 0

Customer Version No. : 0

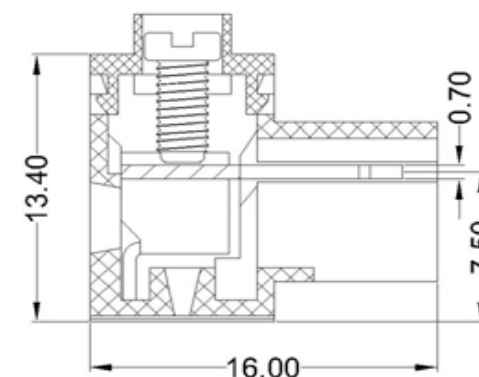
EDCON-COMPONENTS



Technical Discription

Drawing (Dimension in mm)

Electrical	UL	IEC
Rated Voltage	300Volt	250V
Rated Current	15A	24A
Wire Range		1,0~2,5mm ²
Wire Range AWG-Size	28~12AWG	
Withstanding Voltage		2,0KV
Mechanical		
Operating Temperature		-40°C ~ +105°C
Wire Strip Length		6-7mm
Screw Torque		0,4Nm
Screw Size		M1,6
Dimensions		
Pitch (mm)		5,00
Poles		2 ~ 20 Pos.
Materials		
Terminal Housing		PA66, UL94V-0
Pin Header		Brass Tin Plated
Screw		Steel, Cr ³ , Zn plated
wire Guard		Stainless Steel



Pluggable Terminal Block (Plug)

Part No.: **A14L100**

Customer:

DRW:	Jason	CHKD	Wilson	MATL:	Wilson	TOLERANCE	Mason	DATE	03.08.2016
APPD:	Schumi			FINISH	Jamy		Sheet No.	1 from 4	

EDCON-COMPONENTS



Dimension Tolerance (mm)

No. of Pos.	A	Tol. A	B	Tol. B
02	10,00	± 0,10	5,00	± 0,10
03	15,00	± 0,10	10,00	± 0,10
04	20,00	± 0,10	15,00	± 0,10
05	25,00	± 0,10	20,00	± 0,10
06	30,00	± 0,10	25,00	± 0,10
07	35,00	± 0,10	30,00	± 0,10
08	40,00	± 0,10	35,00	± 0,10
09	45,00	± 0,20	40,00	± 0,20
10	50,00	± 0,20	45,00	± 0,20
11	55,00	± 0,20	50,00	± 0,20
12	60,00	± 0,20	55,00	± 0,20
13	65,00	± 0,20	60,00	± 0,20
14	70,00	± 0,20	65,00	± 0,20
15	75,00	± 0,20	70,00	± 0,20
16	80,00	± 0,20	75,00	± 0,20
17	85,00	± 0,30	80,00	± 0,30
18	90,00	± 0,30	85,00	± 0,30
19	95,00	± 0,30	90,00	± 0,30
20	100,00	± 0,30	95,00	± 0,30
21	105,00	± 0,30	100,00	± 0,30
22	110,00	± 0,30	105,00	± 0,30
23	115,00	± 0,30	110,00	± 0,30
24	120,00	± 0,30	115,00	± 0,30

Pluggable Terminal Block (Plug)

Part No.: **A14L100**

Customer:

DRW:	Jason	CHKD	Wilson	MATL:	Wilson	TOLERANCE	Mason	DATE	03.08.2016
APPD:	Schumi			FINISH	Jamy		Sheet No.		2 from 4



EDCON-COMPONENTS



Ordering Informations

Serie	No. of Pos.	Body Color	Screw Type	Approval Code	ROHS	Packing	EDCON Cust. No.	Customer Version		
-------	-------------	------------	------------	---------------	------	---------	-----------------	------------------	--	--

A14L100	02	LG	A	N	R	B				
----------------	-----------	-----------	----------	----------	----------	----------	--	--	--	--

Pitch 5,00	02= Number of Pos.		A= Slotted Screw Type (Standard) 	N= NON Approval	R= ROHS Conform	B= Bulk-Ware	xxxxxx= Customer Number	xxx= Customer Version ??(Printing)
	Standard 2 ~ 24Pos.		B= Cross Slotted Screw Type 	A= UL /UR Approval Please consult EDCON for available	N= NON ROHS Conform	I= Individual Package		
		LG= Light Gray		B= VDE Approval Please consult EDCON for available				
				C= TÜV Approval Please consult EDCON for available				

Pluggable Terminal Block (Plug)

Part No.: **A14L100**

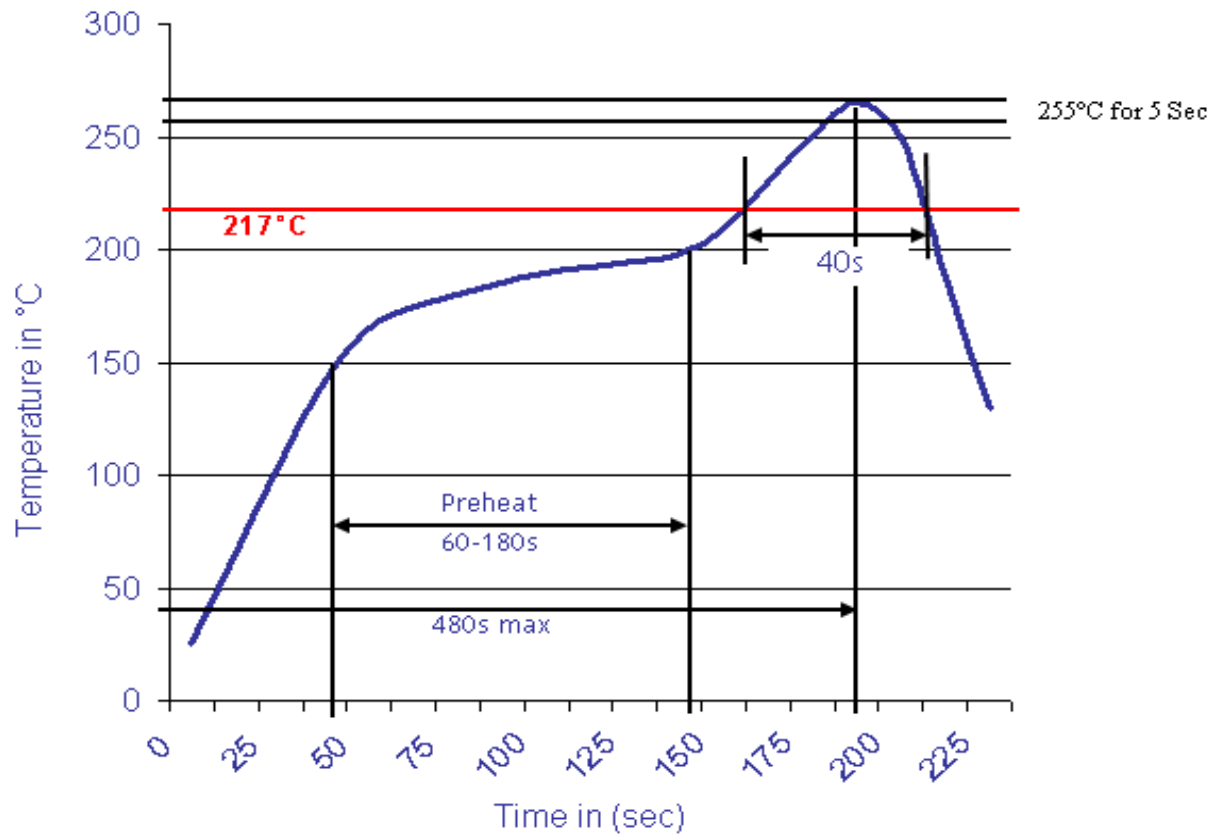
DRW:	Jason	CHKD	Wilson	MATL:	Wilson	TOLERANCE	Mason	DATE	03.08.2016
APPD:	Schumi			FINISH	Jamy		Sheet No.		3 from 4

Customer:



Soldering Profile Curve

Classification Reflow Profile (JEDEC J-STD-020C)



Pluggable Terminal Block (Plug)

Part No.: **A14L100**

DRW:	Jason	CHKD	Wilson	MATL:	Wilson	TOLERANCE	Mason	DATE	03.08.2016
APPD:	Schumi			FINISH	Jamy		Sheet No.	4 from 4	

Customer: