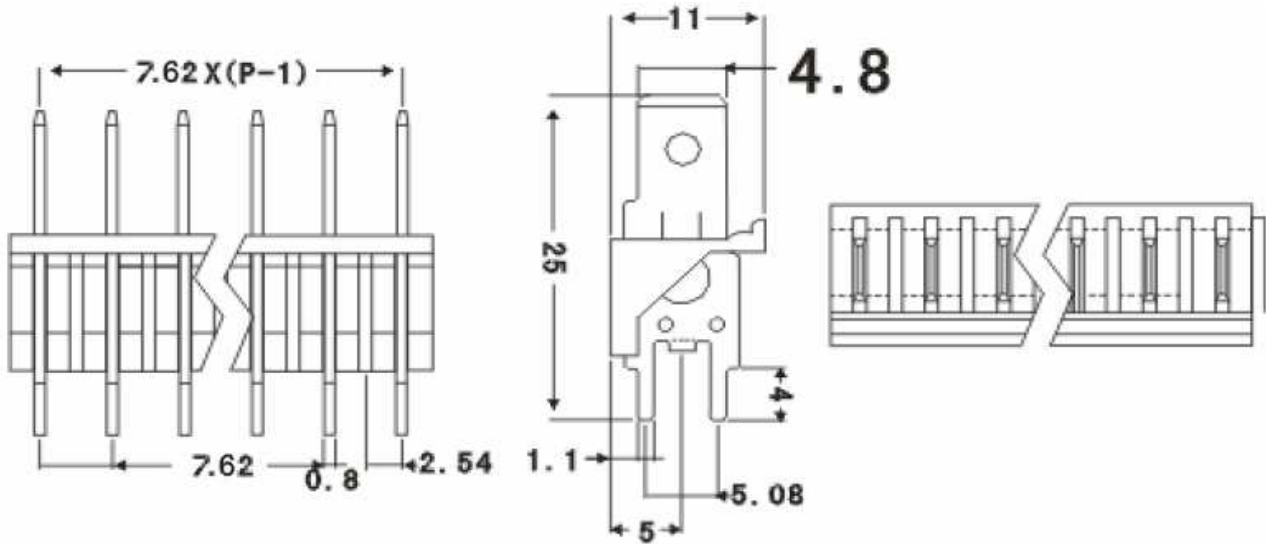


Flat Terminal 180° Pitch 7.62 mm

Technical Dimension



Technical Specifications

Approval:	Applying (UL VDE)
Rated Voltage:	300 V
Rated Current:	25 A
Insulation material:	PC (UL94V-0)
Temperature range:	-40°C ~ 130°C
Terminal:	Brass, Tin plated
STD color:	Black
PCB hole Diameters:	Ø 1.5 mm

Ordering Information

Serie	-	No. of poles	Contact plating	ROHS	Packing		
T82009	-	XX	T0	R	BU		

XX = Number of poles	T0 = Zinc	R= ROHS Conform	BU = Bulk Ware
	G0 = Gold	N= NON ROHS	

Flat Terminal Pitch: 7.62 mm	
Part No.:	T82009
Customer:	

DRW:	Jason	CHKD	Jules	MATL:	Wu	DATE	21.10.2010
APPD:	Join			FINISH	Shieh	Sheet	1 from 1

Copyright by EDCON-COMPONENTS