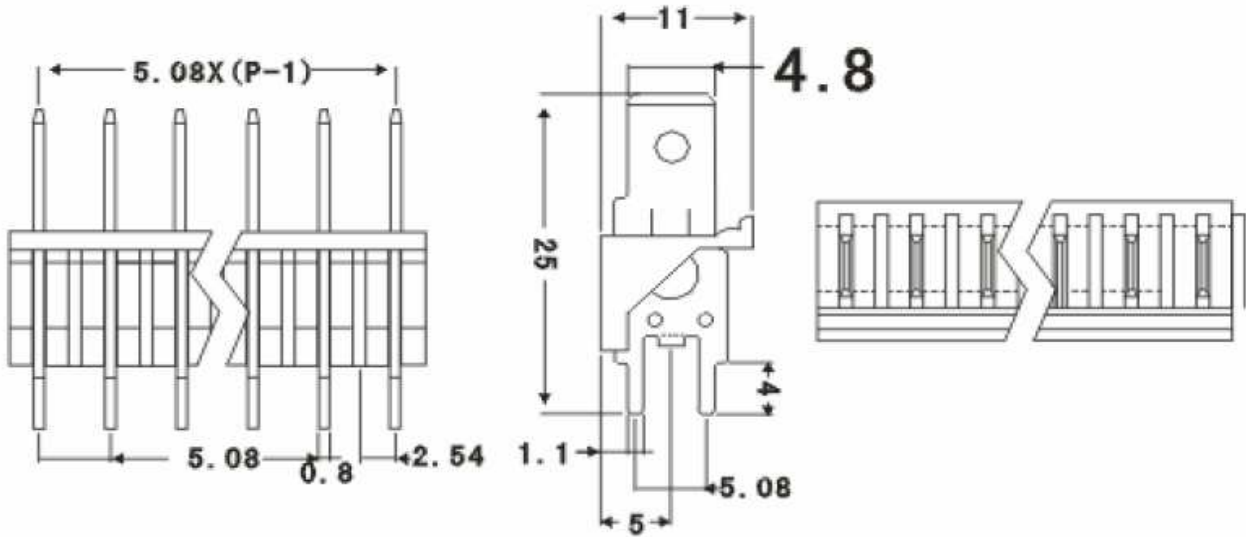


Flat Terminal 180° Pitch 5.08 mm

**Technical Dimension**



**Technical Specifications**

<b>Approval:</b>	Applying ( UL VDE )
<b>Rated Voltage:</b>	300 V
<b>Rated Current:</b>	25 A
<b>Insulation material:</b>	PC ( UL94V-0 )
<b>Temperature range:</b>	-40°C ~ 130°C
<b>Terminal:</b>	Brass, Tin plated
<b>STD color:</b>	Black
<b>PCB hole Diameters:</b>	Ø 1.5 mm

**Ordering Information**

Serie	-	No. of poles	Contact plating	ROHS	Packing		
T82007	-	XX	T0	R	BU		

XX = Number of poles	T0 = Zinc	R= ROHS Conform	BU = Bulk Ware
	G0 = Gold	N= NON ROHS	

<b>Flat Terminal Pitch: 5.08 mm</b>	
Part No.:	<b>T82007</b>
Customer:	

DRW:	Jason	CHKD	Jules	MATL:	Wu	DATE	21.10.2010
APPD:	Join			FINISH	Shieh	Sheet	1 from 1