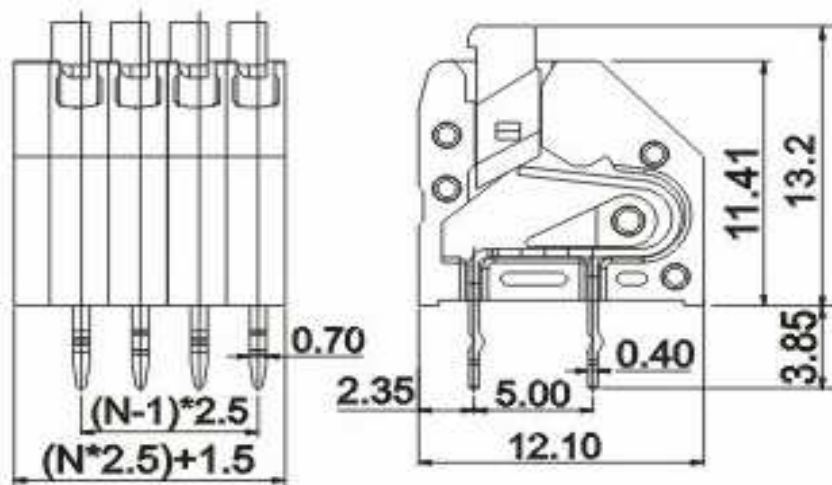
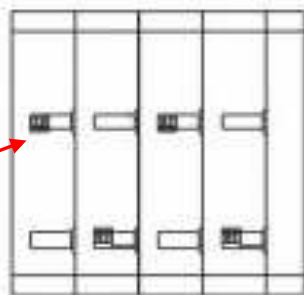


Drawing



P.C.B. Layout



First Pin from left in rearside

Specifications

APPROVAL

Electrical

Standard
Rated voltage
Rated current
Wire range



UL	VDE
250V	250V
2A	2A
14-22 AWG	14-22 AWG

Mechanical

Temperature range
Strip length

-40°C ~ +105°C
7.5 ~ 8.5mm

Dimensions

Pitch
Poles

2.50mm
2P - 25P

Material

Housing
Pin header
Wire guard

Nylon PA66 (UL94V-0)
Brass, Tin plated
Stainless steel



[Certification](#)



Screwless Terminal Block

Pitch 2.50mm

Part No.: **A11E017**

DRW:	Sue	CHKD	Wilson	MATL:	Bill	TOLERANCE	Mason	DATE	25.09.2009
APPD:	John			FINISH	Jamy			Sheet No.	1 from 3

Customer:



Ordering Informations

Serie	-	No. of Pole	Body-Color	-	Customer Request
A11E017	-	XX	XX	-	X

XX = total	WH - white
02	GN - green
...	GR - gray
25	(standard)
	PG - Phoenix Green
	OR - orange
	BK - black
	BL - blue
	LG - light gray



[Certification](#)



Screwless Terminal Block
Pitch 2.50mm

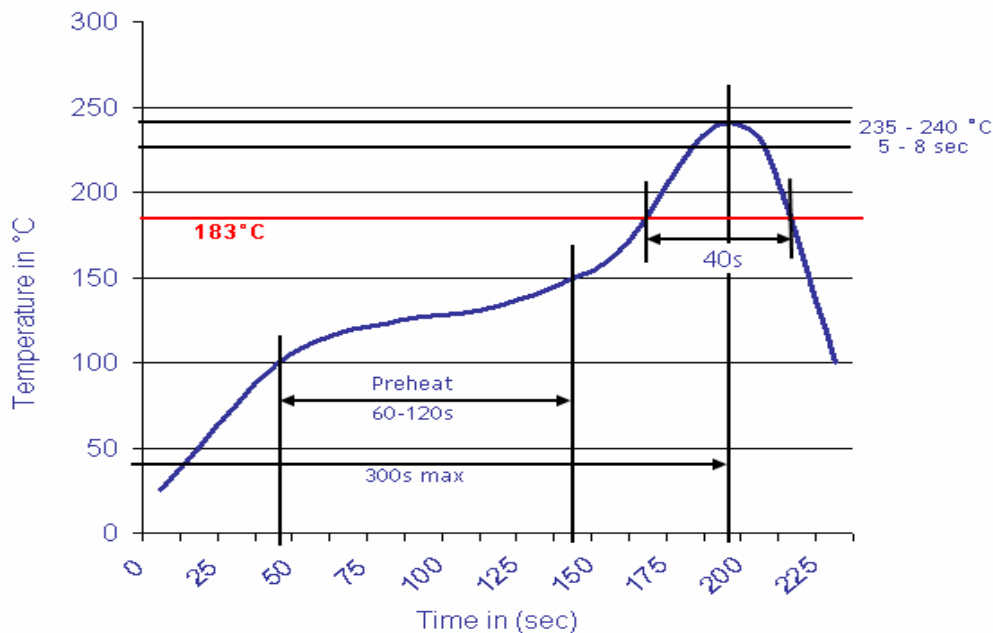
Part No.: **A11E017**

DRW:	Sue	CHKD	Wilson	MATL:	Bill	TOLERANCE	Mason	DATE	25.09.2009	Customer:
APPD:	John			FINISH	Jamy		Sheet No.	2 from 3		



Soldering - Profil

Classification Reflow Profile (JEDEC J-STD-020C)



Screwless Terminal Block
Pitch 2.50mm

Part No.: **A11E017**

DRW:	Sue	CHKD	Wilson	MATL:	Bill	TOLERANCE	Mason	DATE	25.09.2009
APPD:	John			FINISH	Jamy		Sheet No.		3 from 3

Customer:

