

# EDCON-COMPONENTS



## Product Specifications

Good Power supply compatibility nature: widely drive voltage and frequency , good stability to fit the public electricity net.  
 Insulation mode switch power, installing the inside protection of over current, over load and short circuit  
 Firmness: The highly quality metal material be adopt, long life time  
 Highly illumination degree: the lamp source top grade LED Chip, Fog color cover surface. Light effect is softness and not dizzy. High optical uniformity: Diddused cover , no clare

## Environmental requirements

Working Temperature: -20°C ~ +40°C  
 Storage Temperature: -30°C ~ +60°C  
 Working Humidity: 30% ~ 85%  
 Storage Humidity: 10% ~ 90%  
 Storage conditions:  
 Indoor ventilation air should not be corrosive gases

Type	Length	LED Type/Quantity	Material	Shell surface	Light Effect	Protection Grade	Application
T8 LED TUBE	1500mm	120PCS 2835	Metall + PC	Stripe/Silver-gray	fog	IP54	Lighting

	Length	Voltage AC(V)	Power (Watt)	Dielectric Strength		
				Vac	mA	sec.
	1500mm	110 ~ 240	20	1000	5	3

Color Tone Code	Light Color	TC (K)	Angle	Luminious ca.( lm )
WW	Warm White	2700-3300K	120	2300
PW	Pure White	3300	120	2300
CW	Cool White	5500-6500K	120	2300

LED-TUBE
Part No.: <b>M23016-</b>
Customer:

DRW:	Jason	CHKD	Wilson	MATL:	Wilson	TOLERANCE	Mason	DATE	07.05.2016
APPD:	Schumi			FINISH	Jamy		Sheet No.		1 from 3

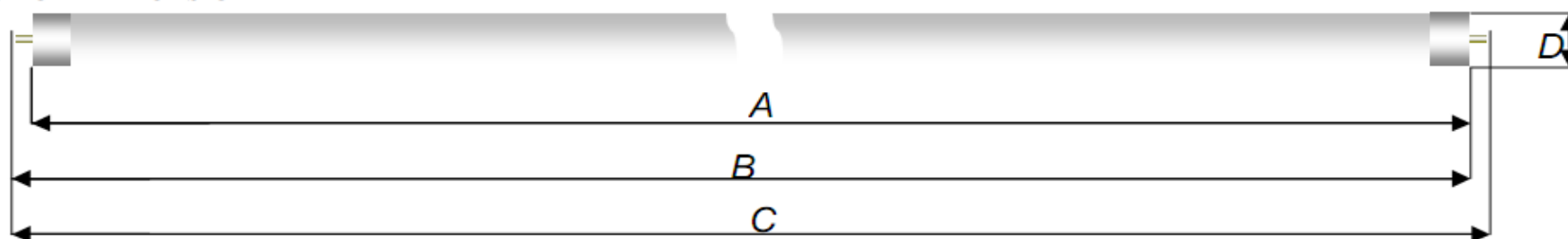
# EDCON-COMPONENTS



## Exterior Dimensions

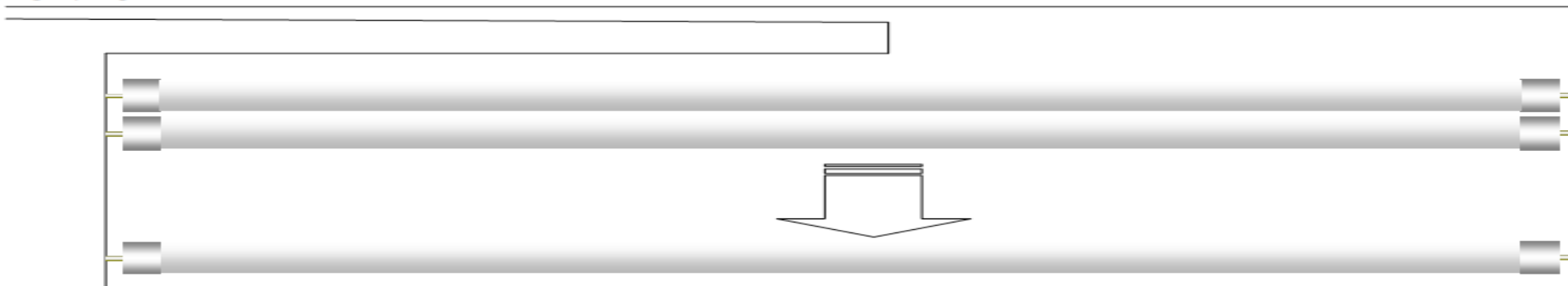
Type	Length	A		B		C		D (max.)	Lampholders Type
		max. (mm)	min. (mm)	max. (mm)	min. (mm)	max. (mm)	min. (mm)	T8 (mm)	
T8 LED TUBE	1500mm	1500	1504	1508		1515	32	<b>G13</b>	

### Exterior Dimension:



## Installation

INPUT: AC



A Labels affixed to one end for the cathode, the other side for negative.  
Please note the distinction between installation polarity.

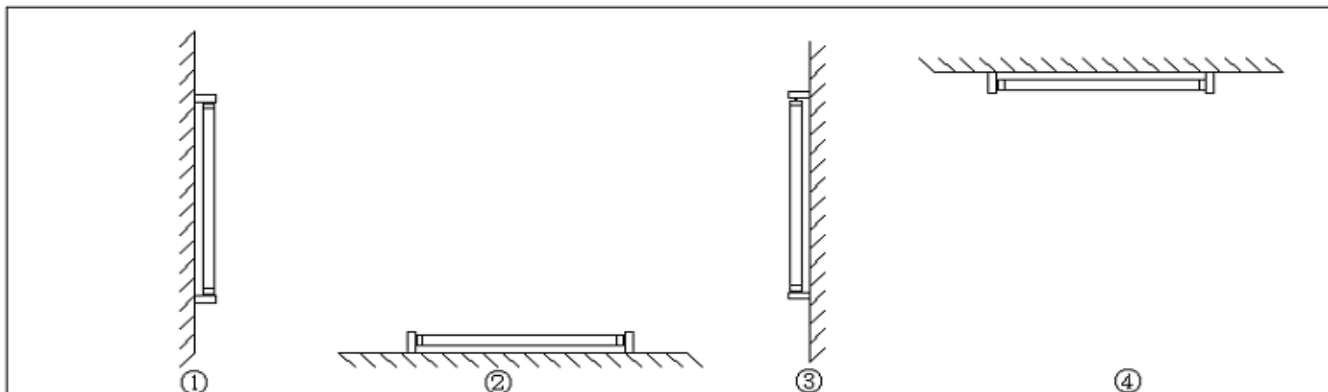
LED-TUBE
Part No.: <b>M23016-</b>
Customer:

DRW:	Jason	CHKD	Wilson	MATL:	Wilson	TOLERANCE	Mason	DATE	07.05.2016
APPD:	Schumi			FINISH	Jamy		Sheet No.	2 from 3	

# EDCON-COMPONENTS



**Installation location**



## Ordering Informations

Serie	Length of	Color Tone	ROHS	Packing						
<b>M23016-</b>	<b>152</b>	<b>WW</b>	<b>R</b>	<b>CA</b>						

<b>152=</b> 1500mm	<b>WW=</b> Warm White	<b>N=NO</b> ROHS conform	<b>CA=</b> Cartoon
	<b>PW=</b> Pure White		
	<b>CW=</b> Cool White		

LED-TUBE
Part No.: <b>M23016-</b>
Customer:

DRW:	Jason	CHKD	Wilson	MATL:	Wilson	TOLERANCE	Mason	DATE	07.05.2016
APPD:	Schumi			FINISH	Jamy		Sheet No.		3 from 3