

EDCON-COMPONENTS



Product Specifications

Good Power supply compatibility nature: widely drive voltage and frequency , good stability to fit the public electricity net.
 Insulation mode switch power, installing the inside protection of over current, over load and short circuit
 Firmness: The highly quality metal material be adopt, long life time
 Highly illumination degree: the lamp source top grade LED Chip, Fog color cover surface. Light effect is softness and not dizzy. High optical uniformity: Diddused cover , no clare

Environmental requirements

Working Temperature: -20°C ~ +40°C
 Storage Temperature: -30°C ~ +60°C
 Working Humidity: 30% ~ 85%
 Storage Humidity: 10% ~ 90%
 Storage conditions:
 Indoor ventilation air should not be corrosive gases

Type	Length	LED Type/Quantity	Material	Shell surface	Light Effect	Protection Grade	Application
T8 LED TUBE	1200mm	96PCS 2835	Metall + PC	Stripe/Silver-gray	fog	IP54	Lighting

	Length	Voltage AC(V)	Power (Watt)	Dielectric Strength		
				Vac	mA	sec.
	1200mm	110 ~ 240	18	1000	5	3

Color Tone Code	Light Color	TC (K)	Angle	Luminious ca.(lm)
WW	Warm White	2700-3300K	120	1750
PW	Pure White	3300	120	1750
CW	Cool White	5500-6500K	120	1750

LED-TUBE 1200mm
Part No.: M23015-
Customer:

DRW:	Jason	CHKD	Wilson	MATL:	Wilson	TOLERANCE	Mason	DATE	07.05.2016
APPD:	Schumi			FINISH	Jamy		Sheet No.		1 from 3

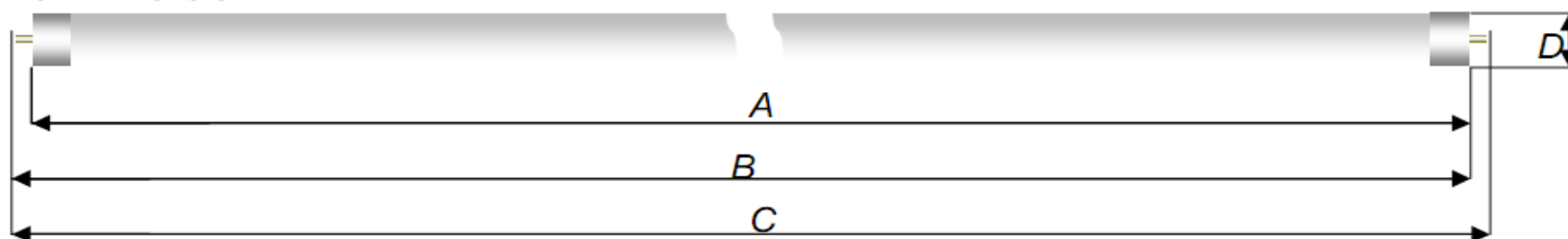
EDCON-COMPONENTS



Exterior Dimensions

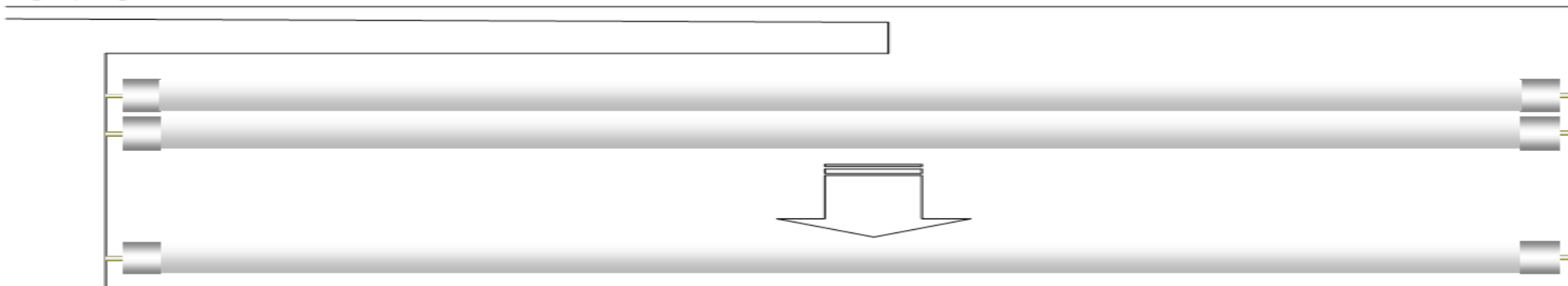
Type	Length	A		B		C		D (max.)	Lampholders Type
		max. (mm)	min. (mm)	max. (mm)	min. (mm)	max. (mm)	min. (mm)	T8 (mm)	
T8 LED TUBE	1200mm	1200	1204	1207		1214	32	G13	

Exterior Dimension:



Installation

INPUT: AC



A Labels affixed to one end for the cathode, the other side for negative.
Please note the distinction between installation polarity.

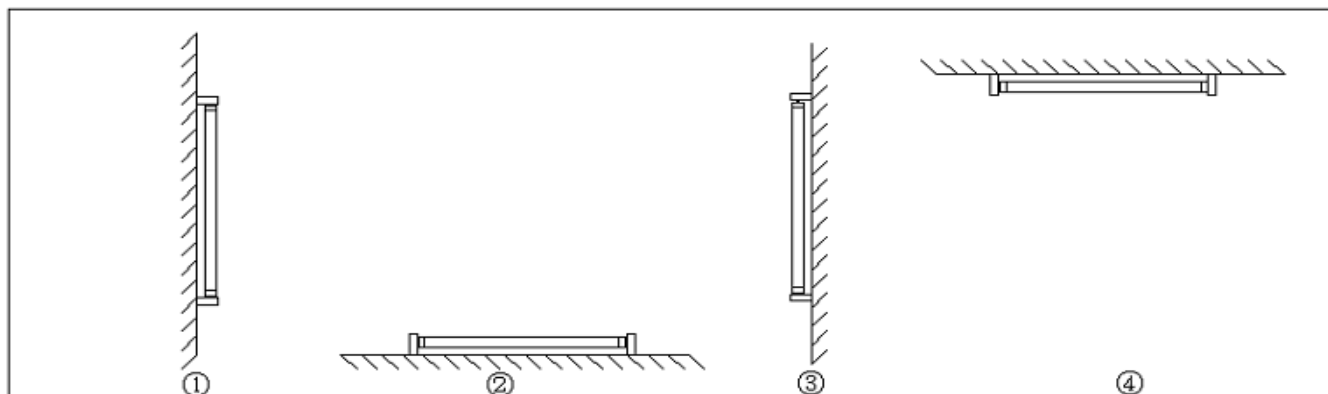
LED-TUBE 1200mm
Part No.: M23015-
Customer:

DRW:	Jason	CHKD	Wilson	MATL:	Wilson	TOLERANCE	Mason	DATE	07.05.2016
APPD:	Schumi			FINISH	Jamy		Sheet No.	2 from 3	

EDCON-COMPONENTS



Installation location



Ordering Informations

Serie	Length of	Color Tone	ROHS	Packing						
M23015-	122	WW	R	CA						

122= 1200mm	WW= Warm White	N=NO ROHS conform	CA= Carton
	PW= Pure White		
	CW= Cool White	R=ROHS conform	

LED-TUBE 1200mm
Part No.: M23015-
Customer:

DRW:	Jason	CHKD	Wilson	MATL:	Wilson	TOLERANCE	Mason	DATE	07.05.2016
APPD:	Schumi			FINISH	Jamy		Sheet No.	3 from 3	