

EDCON-COMPONENTS



Product Specifications

Good Power supply compatibility nature: widely drive voltage and frequency , good stability to fit the public electricity net.
 Insulation mode switch power, installing the inside protection of over current, over load and short circuit
 Firmness: The highly quality metal material be adopt, long life time
 Highly illumination degree: the lamp source top grade LED Chip, Fog color cover surface. Light effect is softness and not dizzy. High optical uniformity: Diddused cover , no clare

Environmental requirements

Working Temperature: -20°C ~ +40°C
 Storage Temperature: -30°C ~ +60°C
 Working Humidity: 30% ~ 85%
 Storage Humidity: 10% ~ 90%
 Storage conditions:
 Indoor ventilation air should not be corrosive gases

Type	Length	LED Type/Quantity	Material	Shell surface	Light Effect	Protection Grade	Application
T8 LED TUBE	600mm	28PCS 2835	Metall + PC	Stripe/Silver-gray	fog	IP54	Lighting

	Length	Voltage AC(V)	Power (Watt)	Dielectric Strength					
				Vac	mA	sec.			
	600mm	110 ~ 240	9W	1000	5	3			

Color Tone Code	Light Color	TC (K)	Angle	Luminious ca.(lm)			
WW	Warm White	2700-3300K	120	950			
PW	Pure White	3300-4500K	120	950			
CW	Cool White	5500-6500K	120	950			

LED-TUBE 600mm
Part No.: M23013-
Customer:

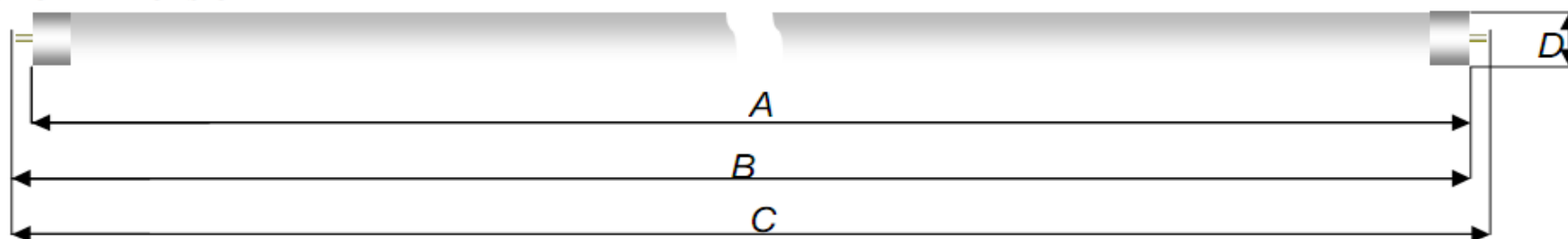
DRW:	Jason	CHKD	Wilson	MATL:	Wilson	TOLERANCE	Mason	DATE	07.05.2016
APPD:	Schumi			FINISH	Jamy		Sheet No.		1 from 3



Exterior Dimensions

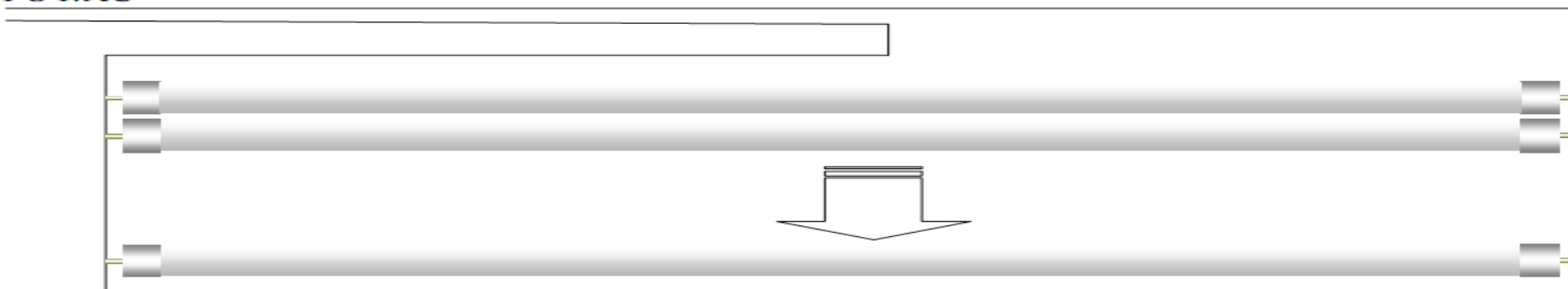
Type	Length	A		B		C		D (max.)	Lampholders Type
		max. (mm)	min. (mm)	max. (mm)	min. (mm)	max. (mm)	min. (mm)	T8 (mm)	
T8 LED TUBE	600mm	590	594	597		604	32	G13	

Exterior Dimension:



Installation

INPUT: AC



A Labels affixed to one end for the cathode, the other side for negative.
Please note the distinction between installation polarity.

LED-TUBE 600mm

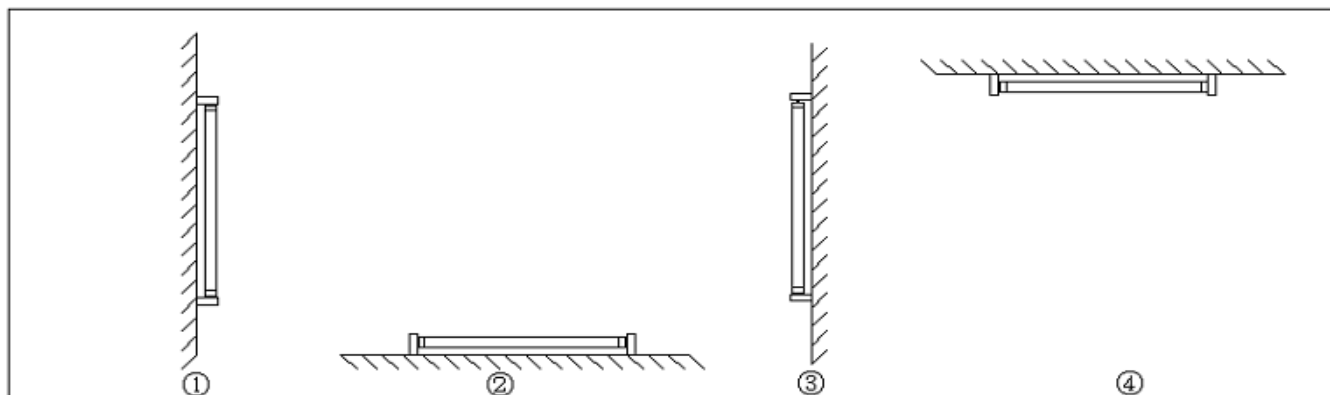
Part No.: **M23013-**

DRW:	Jason	CHKD	Wilson	MATL:	Wilson	TOLERANCE	Mason	DATE	07.05.2016	Customer:
APPD:	Schumi			FINISH	Jamy		Sheet No.	2 from 3		

EDCON-COMPONENTS



Installation location



Ordering Informations

Serie	Length of	Color Tone	ROHS	Packing						
M23013-	060	WW	R	CA						

060 = 600mm	WW = Warm White	N =NO ROHS conform	CA = Carton
	PW = Pure White		
	CW = Cool White	R =ROHS conform	

LED-TUBE 600mm
Part No.: M23013-
Customer:

DRW:	Jason	CHKD	Wilson	MATL:	Wilson	TOLERANCE	Mason	DATE	07.05.2016
APPD:	Schumi			FINISH	Jamy		Sheet No.	3 from 3	