

EDCON-COMPONENTS



Product Specifications

Good Power supply compatibility nature: widely drive voltage and frequency , good stability to fit the public electricity net.
 Insulation mode switch power, installing the inside protection of over current, over load and short circuit
 Firmness: The highly quality metal material be adopt, long life time
 Highly illumination degree: the lamp source top grade LED Chip, Fog color cover surface. Light effect is softness and not dizzy. High optical uniformity: Diddused cover , no clare

Environmental requirements

Working Temperature: -20°C ~ +40°C
 Storage Temperature: -30°C ~ +60°C
 Working Humidity: 30% ~ 85%
 Storage Humidity: 10% ~ 90%
 Storage conditions:
 Indoor ventilation air should not be corrocive gases

Type	Length	LED Type/Quantity	Material	Shell surface	Light Effect	Protection Grade	Application
T8 LED TUBE	600mm	102PCS/3528	Metall + PC	Stripe/Silver-gray	fog	IP54	Lighting

	Length	Voltage AC(V)	Power (Watt)	Dielectric Strength		
				Vac	mA	sec.
	600mm	110 ~ 240	9W	1000	5	3

Color Tone Code	Light Color	TC (K)	Angle	Luminious ca.(lm)
WW	Warm White	2700-3300K	120	920
PW	Pure White	3300	120	990
CW	Cool White	5500-6500K	120	990

LED-TUBE
Part No.: M23012
Customer:

DRW:	Jason	CHKD	Wilson	MATL:	Wilson	TOLERANCE	Mason	DATE	10.04.2009
APPD:	Schumi			FINISH	Jamy		Sheet No.		1 from 2

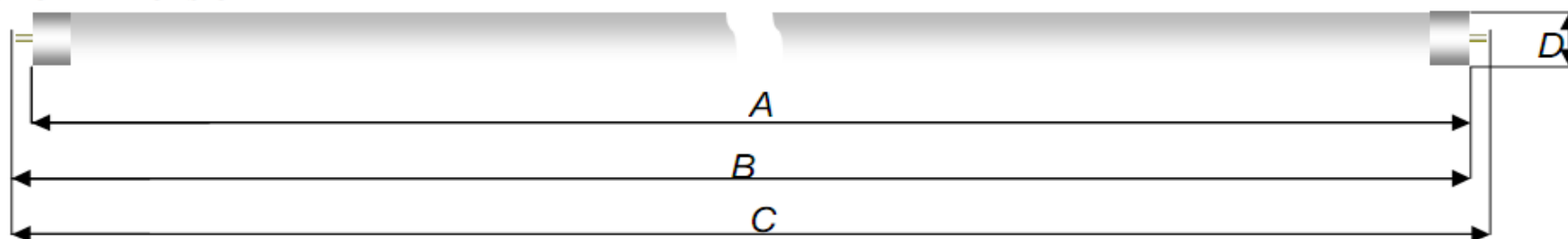
EDCON-COMPONENTS



Exterior Dimensions

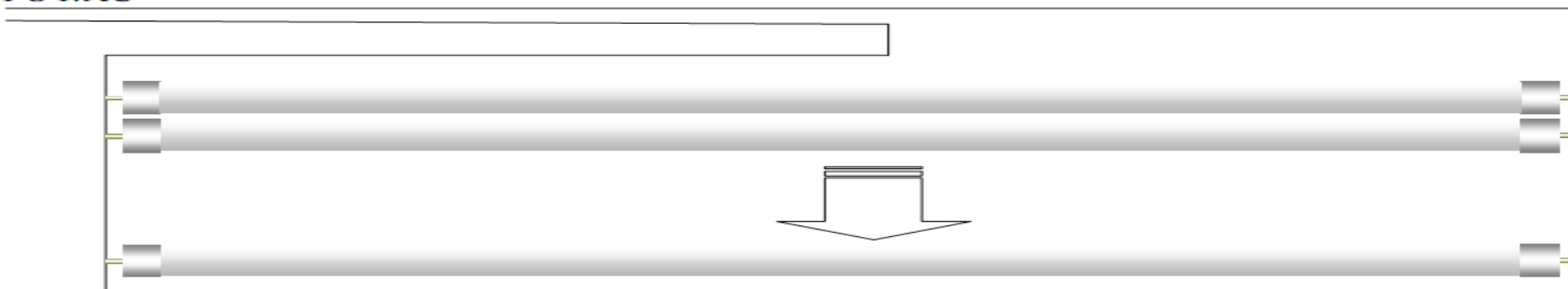
Type	Length	A		B		C		D (max.)	Lampholders Type
		max. (mm)	min. (mm)	max. (mm)	min. (mm)	max. (mm)	min. (mm)	T8 (mm)	
T8 LED TUBE	600mm	590	594	597		604	32	G13	

Exterior Dimension:



Installation

INPUT: AC



A Labels affixed to one end for the cathode, the other side for negative.
Please note the distinction between installation polarity.

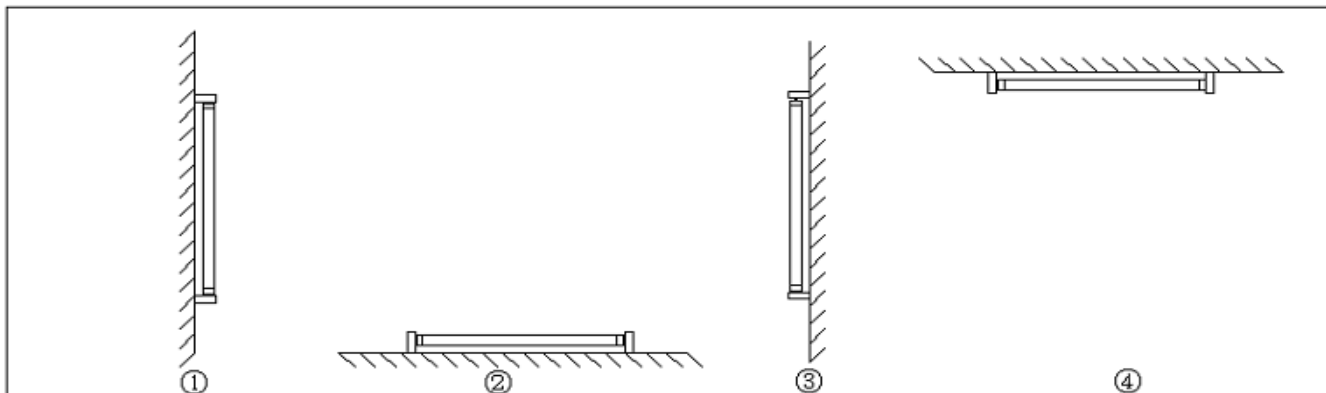
LED-TUBE	
Part No.:	M23012
Customer:	

DRW:	Jason	CHKD	Wilson	MATL:	Wilson	TOLERANCE	Mason	DATE	10.04.2009
APPD:	Schumi			FINISH	Jamy		Sheet No.	2 from 2	

EDCON-COMPONENTS



Installation location



Ordering Informations

Serie	Length of	Color Tone	ROHS	Packing						
M23012	601	WW	R	CA						

601 = 600mm	WW = Warm White	N =NO ROHS conform	CA = Carton
	PW = Pure White		
	CW = Cool White	R =ROHS conform	

LED-TUBE
Part No.: M23012
Customer:

DRW:	Jason	CHKD	Wilson	MATL:	Wilson	TOLERANCE	Mason	DATE	10.04.2009
APPD:	Schumi			FINISH	Jamy		Sheet No.	2 from 2	