

# EDCON-COMPONENTS



## Features

Because of their excellent shock resistance and low power consumption the units are ideal for portable equipment  
Features superior characteristics indigenous to tuning fork type quartz crystal units.

## Applications

Permits use as a clock source for communications equipment, AV equipment, OA equipment, measuring instruments and various types of clocks.

## Specifications

Frequency Range:	f <sub>0</sub>	32,768KHz	
Frequency Tolerance:	Δ f/f <sub>0</sub>	./- 20ppm	At 25°C
Turnover Temperature:	T <sub>m</sub>	25°C +/- 5°C	
Temperature Coefficient	β	0,034 +/- 0,006ppm/°C	
Operating Temperature:	T <sub>opr</sub>	.- 10°C to +60°C	
Storage Temperature:	T <sub>stg</sub>	.-40°C to + 85°C	
Quality Factor	Q	90,000 Typ. 70.000Typ.	
Equivalent series resistance:	R <sub>1</sub>	35KΩ Max.	At 25°C
Load Capacitance:	CL	12,5pf Typ.	Please specify
Motional capacitance:	C <sub>1</sub>	0,0035pf Typ. 0,0030pf Typ.	
Shunt capacitance:	C <sub>0</sub>	1,60pf Typ. 1,35pf Typ	
Capacitance ratio		460 Typ. 450 Typ.	
Drive Level	DL	1 μW Max.	
Insulation resistance	IR	500M Ω Max.	DC100V +/-15V
Aging ( First Year)	Δ f/f <sub>0</sub>	./- 5ppm Max.	25°C +/- 3°C
Sealing		1x10 <sup>-2</sup> Pa.m <sup>3</sup> /s Max.	
Shock resistance:		./-5ppm Max.	

**SMD Quarz Crystal  
2,0x6,0mm 2PAD**

Part No.: **O12063**

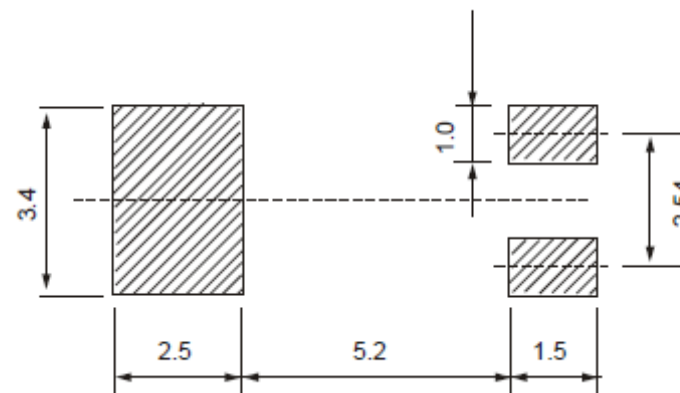
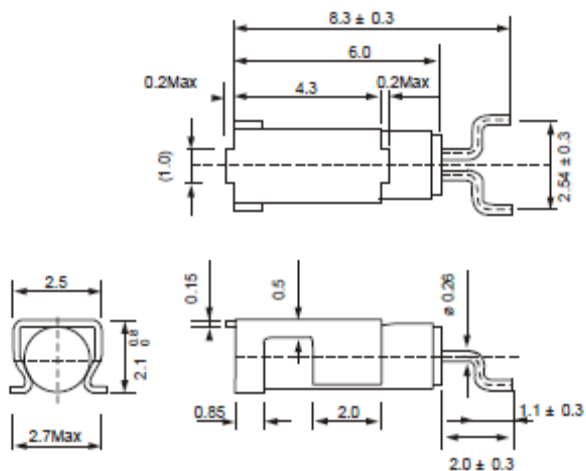
DRW:	Jose	CHKD	John	MATL:	Victoria	TOLERANCE	Mu Tao	DATE	10.07.2009	Customer:
APPD:	Victor			FINISH	Oliver		Sheet No.	1 from 4		

# EDCON-COMPONENTS



Technical Dimensions Dimensions (mm)

P.C.B. Layout



**SMD Quarz Crystal  
2,0x6,0mm 2PAD**

Part No.: **O12063**

Customer:

DRW:	Jose	CHKD	John	MATL:	Victoria	TOLERANCE	Mu Tao	DATE	10.07.2009
APPD:	Victor			FINISH	Oliver		Sheet No.	2 from 4	

[www.edcon-components.com](http://www.edcon-components.com)

email: [info@edcon-components.com](mailto:info@edcon-components.com)

# EDCON-COMPONENTS



## Ordering Informations

Serie	Frequency Range	Frequency Tolerance	Load Capacitance	Temperature Range	ROHS	Packing				
<b>O12063</b>	-	<b>32K7680000</b>	<b>C</b>	<b>1</b>	<b>A</b>	<b>R</b>	<b>TR102</b>			

10 Letters (empty fill w. 0)	<b>C= +/-20ppm</b>	<b>1= 12pf</b>	<b>A= -0°C ~ +50°C</b>	<b>R= ROHS Conform</b>	<b>TR102= Tape /Reel 1000PCS</b>
	<b>D= +/-10ppm</b>		<b>B= -10°C ~ +60°C</b>	<b>N= NON ROHS Conform</b>	
				<b>D= -20°C ~ +70°C</b>	

<b>SMD Quarz Crystal 2,0x6,0mm 2PAD</b>	
Part No.:	<b>O12063</b>
Customer:	

DRW:	Jose	CHKD	John	MATL:	Victoria	TOLERANCE	Mu Tao	DATE	10.07.2009
APPD:	Victor			FINISH	Oliver		Sheet No.	3 from 4	



Soldering Profile

Classification Reflow Profile (JEDEC J-STD-020C)



**SMD Quarz Crystal  
2,0x6,0mm 2PAD**

Part No.: **O12063**

DRW:	Jose	CHKD	John	MATL:	Victoria	TOLERANCE	Mu Tao	DATE	10.07.2009
APPD:	Victor			FINISH	Oliver		Sheet No.	4 from 4	

Customer: