

# EDCON-COMPONENTS



## Features

Because of their excellent shock resistance and low power consumption the units are ideal for portable equipment  
Features superior characteristics indigenous to tuning fork type quartz crystal units.

## Applications

Permits use as a clock source for communications equipment, AV equipment, OA equipment, measuring instruments and various types of clocks.

## Specifications

Frequency Range:	$f_0$	32,768KHz	
Frequency Tolerance:	$\Delta f/f_0$	.+/- 20ppm	At 25°C
Turnover Temperature:	$T_m$	25°C +/- 5°C	
Temperature Coefficient	$\beta$	0,034 +/- 0,006ppm/°C	
Operating Temperature:	$T_{opr}$	.- 10°C to +60°C	
Storage Temperature:	$T_{stg}$	.-40°C to + 85°C	
Quality Factor	$Q$	90,000 Typ. 70.000Typ.	
Equivalent series resistance:	$R_1$	35KΩ Max.	At 25°C
Load Capacitance:	$C_L$	12,5pf Typ.	Please specify
Motional capacitance:	$C_1$	0,0035pf Typ. 0,0030pf Typ.	
Shunt capacitance:	$C_0$	1,60pf Typ. 1,35pf Typ	
Capacitance ratio		460 Typ. 450 Typ.	
Drive Level	$DL$	1 μW Max.	
Insulation resistance	$IR$	500M Ω Max.	DC100V +/-15V
Aging ( First Year)	$\Delta f/f_0$	.+/- 5ppm Max.	25°C +/- 3°C
Sealing		1x10 <sup>-2</sup> Pa.m <sup>3</sup> /s Max.	
Shock resistance:		.+/-5ppm Max.	

**SMD Quarz Crystal  
3,0x8,0mm 2PAD**

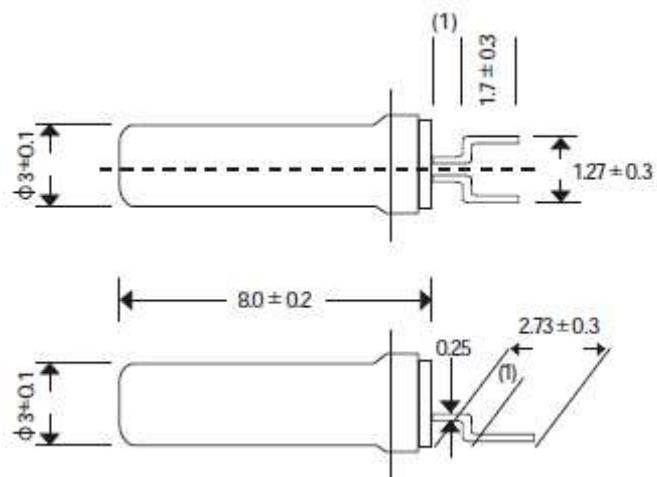
Part No.: **O12059**

DRW:	Jose	CHKD	John	MATL:	Victoria	TOLERANCE	Mu Tao	DATE	13.07.2016	Customer:
APPD:	Victor			FINISH	Oliver		Sheet No.	1 from 4		

# EDCON-COMPONENTS



## Technical Dimensions Dimensions (mm)



**SMD Quarz Crystal  
3,0x8,0mm 2PAD**

Part No.: **O12059**

DRW:	Jose	CHKD	John	MATL:	Victoria	TOLERANCE	Mu Tao	DATE	13.07.2016
APPD:	Victor			FINISH	Oliver		Sheet No.	2 from 4	Customer:

[www.edcon-components.com](http://www.edcon-components.com)

email: [info@edcon-components.com](mailto:info@edcon-components.com)

# EDCON-COMPONENTS



## Ordering Informations

Serie	Frequency Range	Frequency Tolerance	Load Capacitance	Temperature Range	ROHS	Packing				
<b>O12059</b>	-	<b>32K7680000</b>	<b>C</b>	<b>1</b>	<b>A</b>	<b>R</b>	<b>TR102</b>			

10 Letters (empty fill w. 0)	<b>C= +/-20ppm</b>	<b>1= 12pf</b>	<b>A= -0°C ~ +50°C</b>	<b>R= ROHS Conform</b>	<b>TR102= Tape /Reel 1000PCS</b>
	<b>D= +/-10ppm</b>		<b>B= -10°C ~ +60°C</b>	<b>N= NON ROHS Conform</b>	
				<b>D= -20°C ~ +70°C</b>	

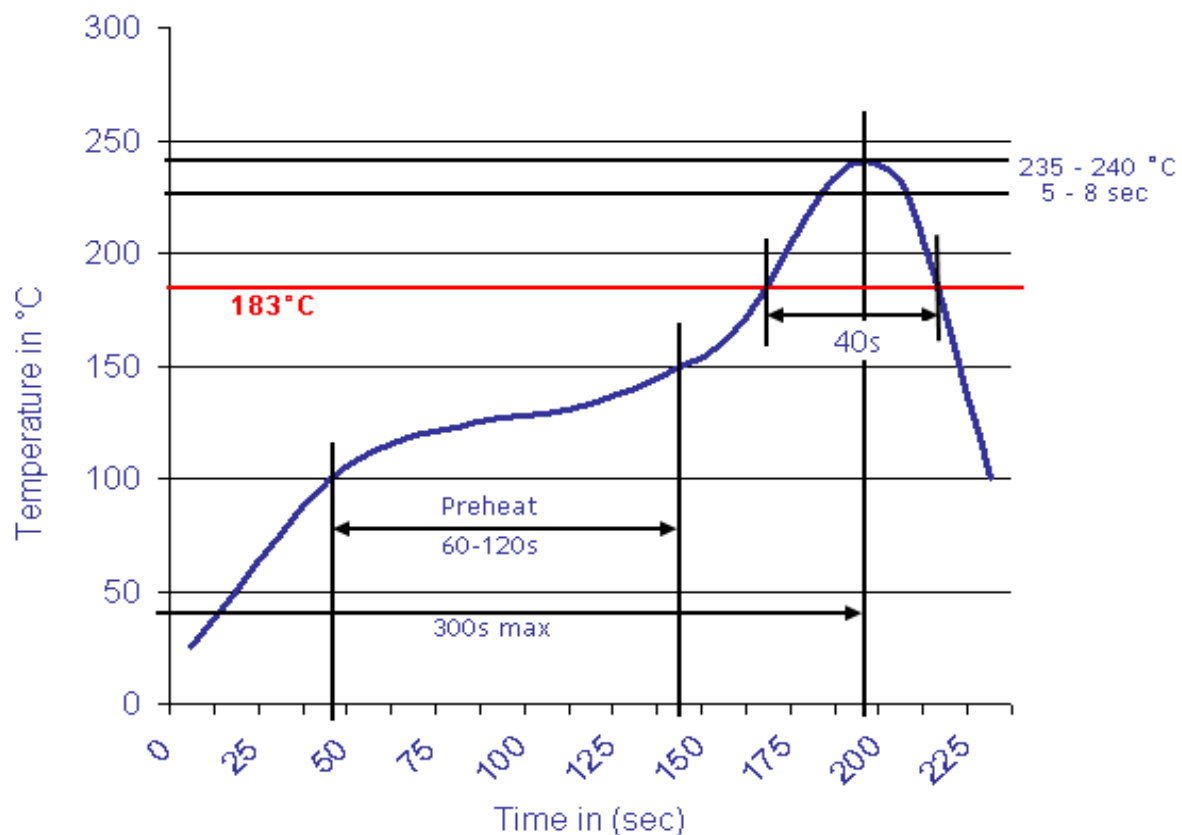
<b>SMD Quarz Crystal 3,0x8,0mm 2PAD</b>	
Part No.:	<b>O12059</b>
Customer:	

DRW:	Jose	CHKD	John	MATL:	Victoria	TOLERANCE	Mu Tao	DATE	13.07.2016
APPD:	Victor			FINISH	Oliver		Sheet No.		3 from 4



Soldering Profile

Classification Reflow Profile (JEDEC J-STD-020C)



**SMD Quarz Crystal  
3,0x8,0mm 2PAD**

Part No.: **O12059**

DRW:	Jose	CHKD	John	MATL:	Victoria	TOLERANCE	Mu Tao	DATE	13.07.2016	Customer:
APPD:	Victor			FINISH	Oliver		Sheet No.	4 from 4		