

# EDCON-COMPONENTS



## Features

Being of the ultra miniature SMD type, and thus featuring excellent efficiency in mounting, the Q12055 is ideal application for high density circuit boards.

As it incorporates a heat resistance packaged cylinder type crystal it features highly stable characteristics high enough to permit reflow soldering.

## Applications

Permits to use as a clock source for communications equipment AV equipment, camera, pager, and measuring instruments.

## Specifications

Frequency Range:		32,000KHz - 165,000KHz	
Load capacitance		12,5pf	
Drive Level		1,0µW Max.	
Frequency Tolerance		.+/-30ppm	at 25°C Need to specify
Series Resistance:		35K ~ 50KΩ	at 25°C Depend on frequency
Turnover Temperature:		25 +/-5°C	
Temperature Coefficient:		( -0,034 +/-0,006) ppm/°C	
Operating Temperature		. -10°C ~ +60°C	
Storage Temperature Range		. -40°C ~ +85°C	
Shunt Capacitance:		0,8pf ~ 1,7pf Typ.	
Aging ( First Year)		.+/- 5ppm Max.	at 25°C +/-3°C
Quality Factor		50000 Typ.	
Insulation resistance		500MΩ Min.	DC100V +/-15V (Pin to Pin, Pin to Case)
Motional Capacitance:		0,001pf ~ 0,004pf Typ.	
Capacitance ratio		425 ~ 800 Typ.	

**SMD Quarz Crystal  
8,0x3,8mm 4PAD**

Part No.: **O12055**

Customer:

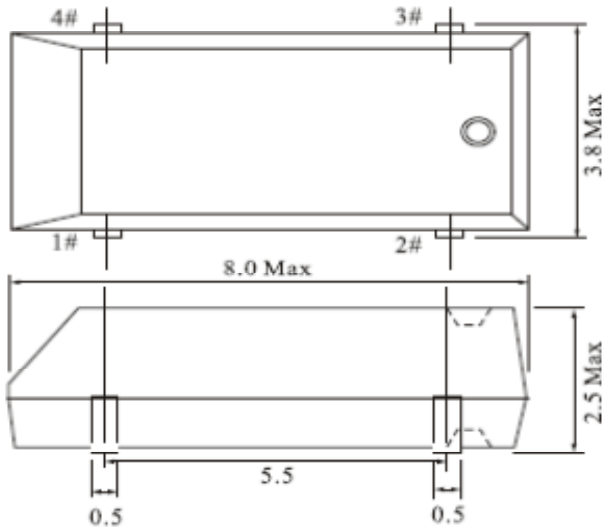
DRW:	Jose	CHKD	John	MATL:	Victoria	TOLERANCE	Mu Tao	DATE	13.07.2016
APPD:	Victor			FINISH	Oliver		Sheet No.		1 from 4

# EDCON-COMPONENTS

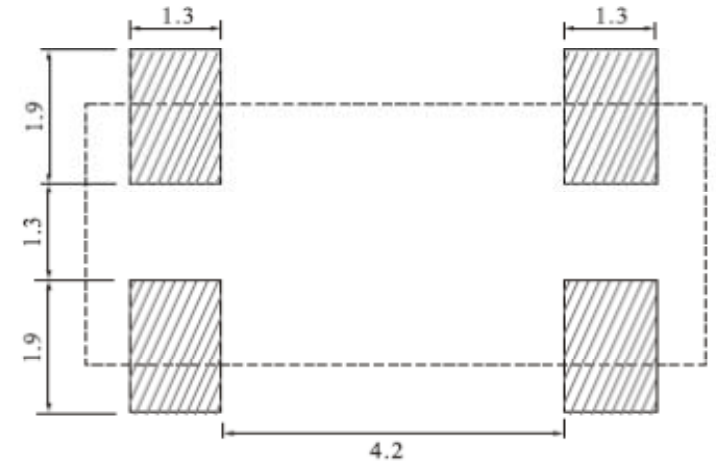
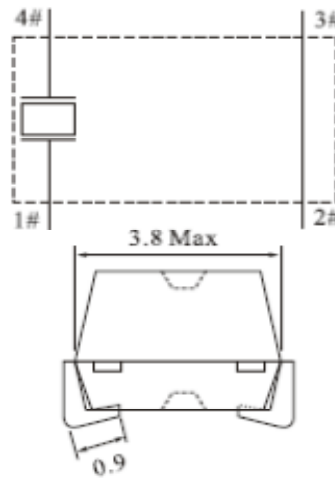


Technical Dimensions Dimensions (mm)

P.C.B. Layout



Electrode Arrangement



**SMD Quarz Crystal  
8,0x3,8mm 4PAD**

Part No.: **O12055**

Customer:

DRW:	Jose	CHKD	John	MATL:	Victoria	TOLERANCE	Mu Tao	DATE	13.07.2016
APPD:	Victor			FINISH	Oliver		Sheet No.	2 from 4	

# EDCON-COMPONENTS



## Ordering Informations

Serie	Frequency Range	Frequency Tolerance	CL-Capacity	Temperature Range	Fundamental Mode	Special function	ROHS	Packing		
<b>O12055</b>	<b>32K7680000</b>	<b>B</b>	<b>B</b>	<b>A</b>	<b>1</b>	<b>N</b>	<b>R</b>	<b>TR102</b>		

10 Letters (empty fill w. 0)	<b>B= +/-30ppm</b>	<b>A= 6pf</b>	<b>A= -0°C ~ +50°C</b>	<b>1= Fundamental</b>		<b>R= ROHS Conform</b>	<b>TR102= Tape /Reel 1000PCS</b>
	<b>C= +/-20ppm</b>	<b>B= 12,5pf</b>	<b>B= -10°C ~ +60°C</b>	<b>2= 3th Overtone</b>		<b>N= NON ROHS Conform</b>	
	<b>D= +/-10ppm</b>		<b>C= -40°C ~ +85°C</b>	<b>3= 5th Overtone</b>			<b>BU101= Bulk Ware 100PCS</b>

<b>SMD Quarz Crystal 8,0x3,8mm 4PAD</b>	
Part No.:	<b>O12055</b>
Customer:	

DRW:	Jose	CHKD	John	MATL:	Victoria	TOLERANCE	Mu Tao	DATE	13.07.2016
APPD:	Victor			FINISH	Oliver		Sheet No.		3 from 4

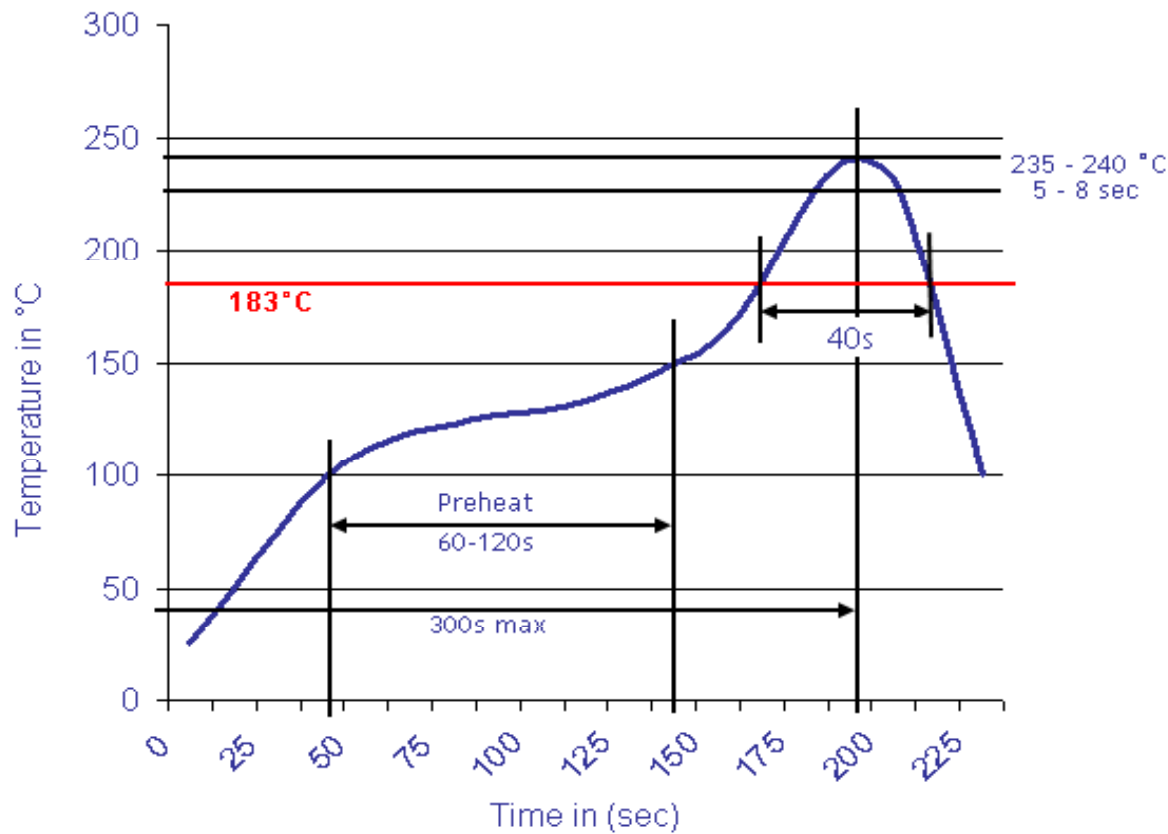
[www.edcon-components.com](http://www.edcon-components.com)

email: [info@edcon-components.com](mailto:info@edcon-components.com)



**Soldering Profile**

**Classification Reflow Profile (JEDEC J-STD-020C)**



<b>SMD Quarz Crystal</b>	
<b>8,0x3,8mm 4PAD</b>	
Part No.:	<b>O12055</b>
Customer:	

DRW:	Jose	CHKD:	John	MATL:	Victoria	TOLERANCE:	Mu Tao	DATE:	13.07.2016
APPD:	Victor	FINISH:	Oliver			Sheet No.:			4 from 4