

EDCON-COMPONENTS



Features

Frequency Range 30-200KHz
 Because of their excellent shock resistance and low power consumption the units are ideal for portable equipment
 Features superior characteristics indigenous to tuning fork type quartz crystal units.

Applications

For a clock source in digital equipments

Specifications

Frequency Range:		30-200KHZ	
Load capacitance		12,5pf	
Drive Level		1,0μW Max.	
Frequency Tolerance		./-20ppm	at 25°C Need to specify
Series Resistance:		65K Ω MAX.	at 25°C Depend on frequency
Turnover Temperature:		25 +/-5°C	
Temperature Coefficient:		(-0,034 +/-0,006) ppm/°C	
Operating Temperature		. -45°C ~ +85°C	
Storage Temperature Range		. -55°C ~ +125°C	
Shunt Capacitance:		1,05pf Typ.	
Aging (First Year)		./- 3ppm Max.	at 25°C +/-3°C
Quality Factor		53000 Typ.	
Insulation Resistance		500MΩ Min.	DC100V +/-15V (Pin to Pin to Case)

**SMD Quarz Crystal
 4,1x1,5mm 2PAD**

Part No.: **O12029**

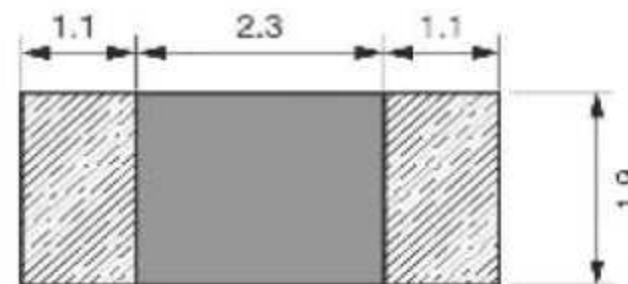
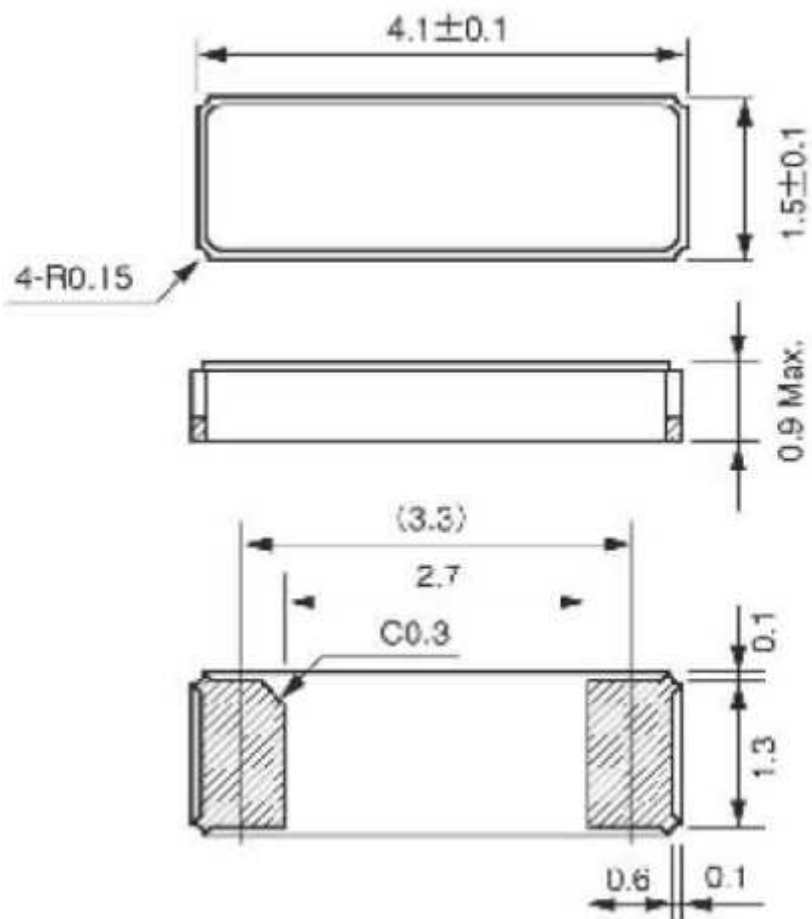
DRW:	Jose	CHKD	John	MATL:	Victoria	TOLERANCE	Mu Tao	DATE	13.07.2016	Customer:
APPD:	Victor			FINISH	Oliver		Sheet No.	1 from 4		

EDCON-COMPONENTS

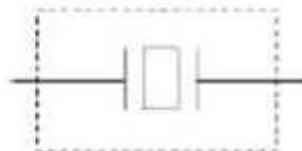


Technical Dimensions Dimensions (mm)

P.C.B. Layout



Internal connection



**SMD Quarz Crystal
4,1x1,5mm 2PAD**

Part No.: **O12029**

Customer:

DRW:	Jose	CHKD	John	MATL:	Victoria	TOLERANCE	Mu Tao	DATE	13.07.2016
APPD:	Victor			FINISH	Oliver		Sheet No.	2 from 4	

EDCON-COMPONENTS



Ordering Informations

Serie	Frequency Range	Frequency Tolerance	Load capacitance	Temperature Range	ROHS	Packing				
O12029	32K768000	C	1	A	R	TR102				

10 Letters (empty fill w. 0)	C= +/-20ppm	1= 12pf	A= -0°C ~ +50°C	R= ROHS Conform	TR102= Tape /Reel 1000PCS BU101= Bulk Ware 100PCS
	D= +/-10ppm		B= -10°C ~ +60°C	N= NON ROHS Conform	

SMD Quarz Crystal 4,1x1,5mm 2PAD	
Part No.:	O12029
Customer:	

DRW:	Jose	CHKD	John	MATL:	Victoria	TOLERANCE	Mu Tao	DATE	13.07.2016
APPD:	Victor			FINISH	Oliver		Sheet No.		3 from 4



Soldering Profile

Classification Reflow Profile (JEDEC J-STD-020C)



**SMD Quarz Crystal
4,1x1,5mm 2PAD**

Part No.: **O12029**

DRW:	Jose	CHKD	John	MATL:	Victoria	TOLERANCE	Mu Tao	DATE	13.07.2016	Customer:
APPD:	Victor			FINISH	Oliver		Sheet No.	4 from 4		