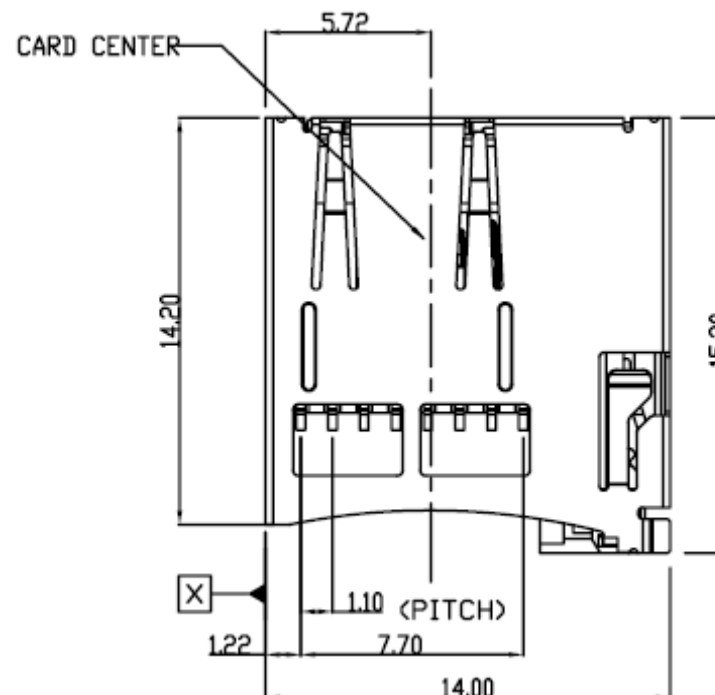
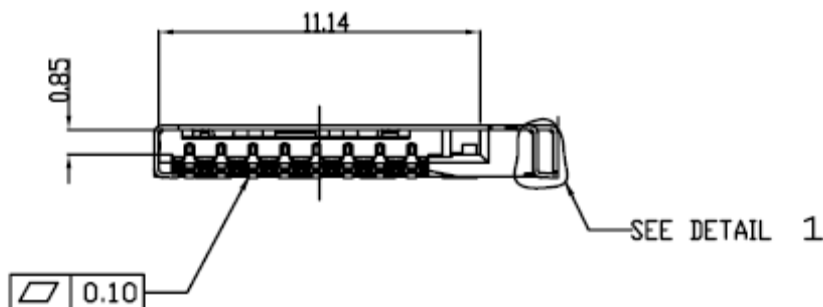
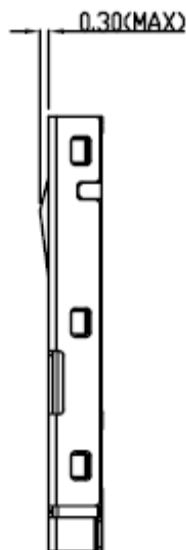
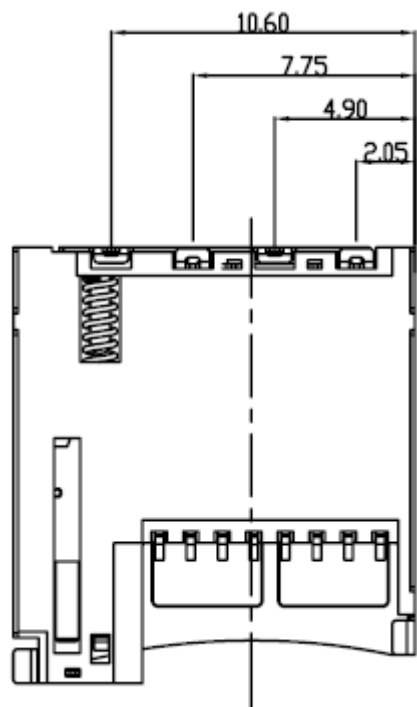


EDCON-COMPONENTS



Technical Discription

Part Name	Material
Body:	LCP + 35% GF
Slider:	LCP + 35% GF
Contact:	C5210R-EH
Switch:	C2680R-H
Shell:	SUS 304R-3/4H
Drag Link:	SUS 304R-3/4H
Spring:	Piano Wire



MICRO SD-CARD Connector	
Part No.:	T58001
Customer:	

DRW:	Jason	CHKD	Wilson	MATL:	Wilson	TOLERANCE	Mason	DATE	10.04.2009
APPD:	Schumi			FINISH	Jamy		Sheet No.		1 from 4

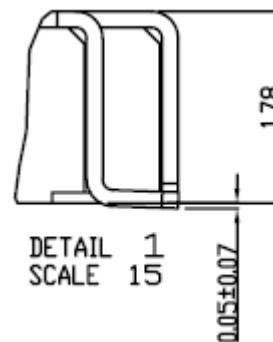
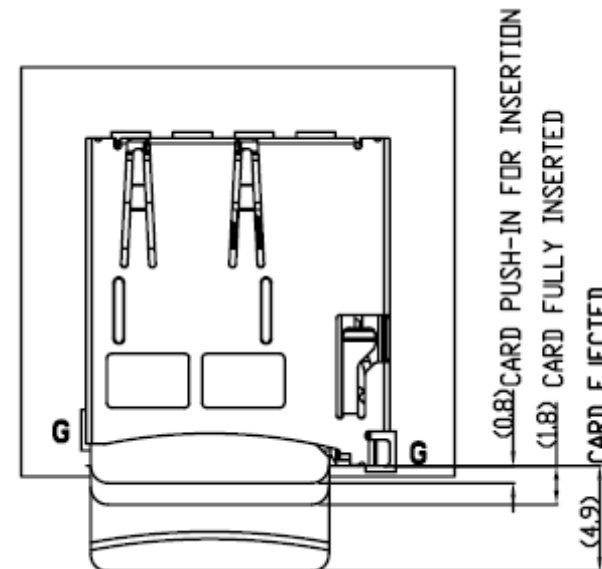
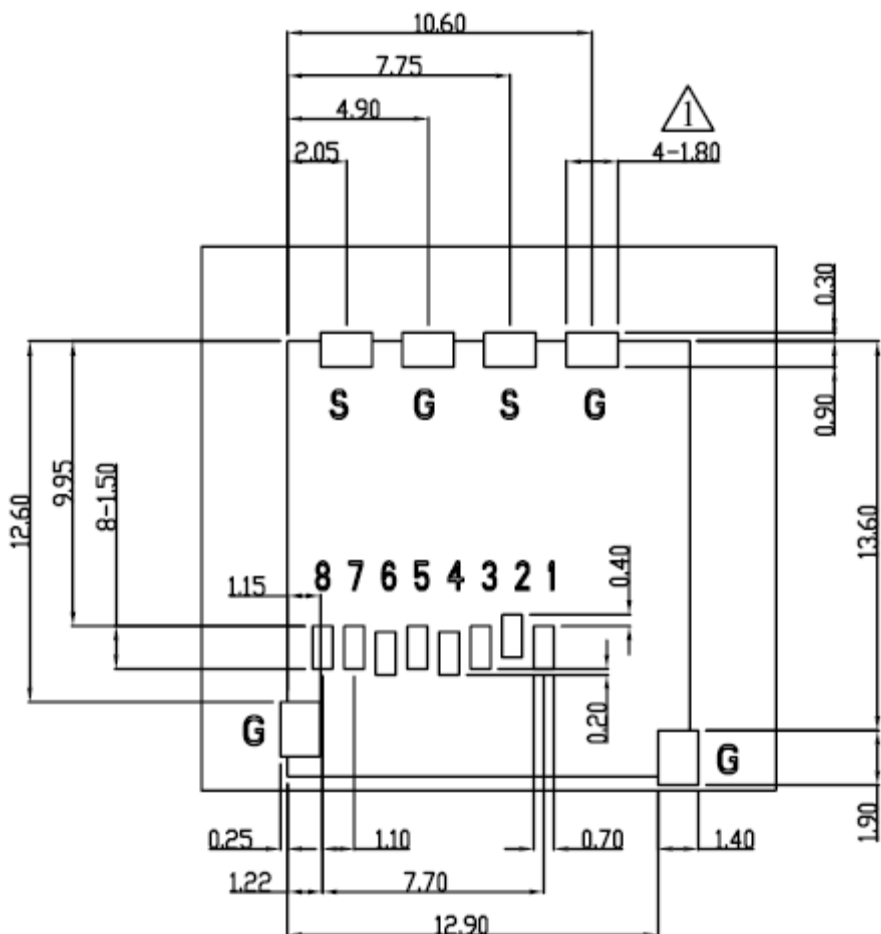
www.edcon-components.com

email: info@edcon-components.com

EDCON-COMPONENTS



PCB Layout



MICRO SD-CARD Connector	
Part No.:	T58001
Customer:	

DRW:	Jason	CHKD	Wilson	MATL:	Wilson	TOLERANCE	Mason	DATE	10.04.2009
APPD:	Schumi			FINISH	Jamy		Sheet No.	2 from 4	

www.edcon-components.com

email: info@edcon-components.com

EDCON-COMPONENTS



Ordering Informations

Serie	Contact Plating	ROHS	Packing							
T58001	A	R	TY							

A = 10µ Gold Plating	R = ROHS Conform N = Non ROHS Conform	TY = Tray Packing
-----------------------------	--	--------------------------

MICRO SD-CARD Connector	
Part No.:	T58001
Customer:	

DRW:	Jason	CHKD	Wilson	MATL:	Wilson	TOLERANCE	Mason	DATE	10.04.2009
APPD:	Schumi			FINISH	Jamy		Sheet No.		3 from 4



Soldering Profile Curve

Classification Reflow Profile (JEDEC J-STD-020C)



MICRO SD-CARD Connector	
Part No.:	T58001
Customer:	

DRW:	Jason	CHKD	Wilson	MATL:	Wilson	TOLERANCE	Mason	DATE	10.04.2009
APPD:	Schumi			FINISH	Jamy		Sheet No.	4 from 4	