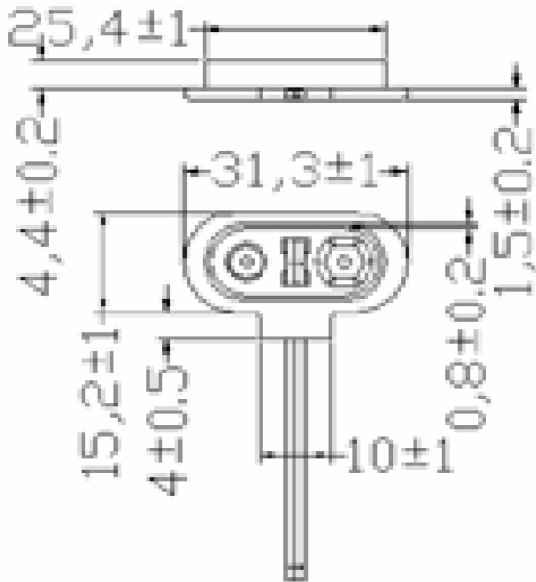




### Technical Specification

Wire Size:  
 Color of Cable  
 length of cable  
 Material:  
 Material cover:  
 Cell Size:  
 Contact Material

UL1007 / AWG26  
 plus= red / minus= black  
 150mm to open end  
 Different wire on request  
 Normally vinyl coated  
 9V Cell  
 brass with nickel plated



### Ordering Information

Serie	Construction	length cable	ROHS	Packing		
-------	--------------	--------------	------	---------	--	--

<b>B24030</b>	<b>SA</b>	<b>150</b>	<b>R</b>	<b>B</b>		
---------------	-----------	------------	----------	----------	--	--

<b>SA=</b> Safety	150mm	<b>N=</b> non ROHS	<b>B=</b> Bulk-Ware
	X=spezial	<b>R=</b> ROHS	<b>IN=</b> Individual

9V Clip	
Part No.:	<b>B24030</b>
Customer:	

DRW:	Jason	CHKD	Wilson	MATL:	Wilson	DATE	26.06.2015
APPD:	Schumi			FINISH	Jamy	Sheet	1 from 1

Copyright by S.Tiede