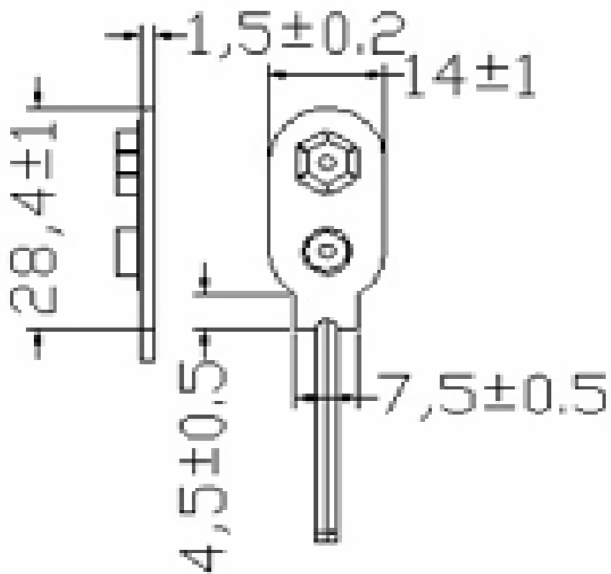




Technical Specification

Wire Size:
 Color of Cable
 length of cable
 Material:
 Material cover:
 Cell Size:
 Contact Material

UL1007 / AWG26
 plus= red / minus= black
 150mm to open end
 Different wire on request
 Normally vinyl coated
 9V Cell
 brass with nickel plated



Ordering Information

Serie	Construction	length cable	ROHS	Packing		
-------	--------------	--------------	------	---------	--	--

B24028	ST	150	R	B		
---------------	-----------	------------	----------	----------	--	--

ST = Standard	150mm	N = non ROHS	B = Bulk-Ware
	X=spezial	R = ROHS	IN =Individual

9V Clip	
Part No.:	B24028
Customer:	

DRW:	Jason	CHKD	Wilson	MATL:	Wilson	DATE	26.06.2015
APPD:	Schumi			FINISH	Jamy	Sheet	1 from 1