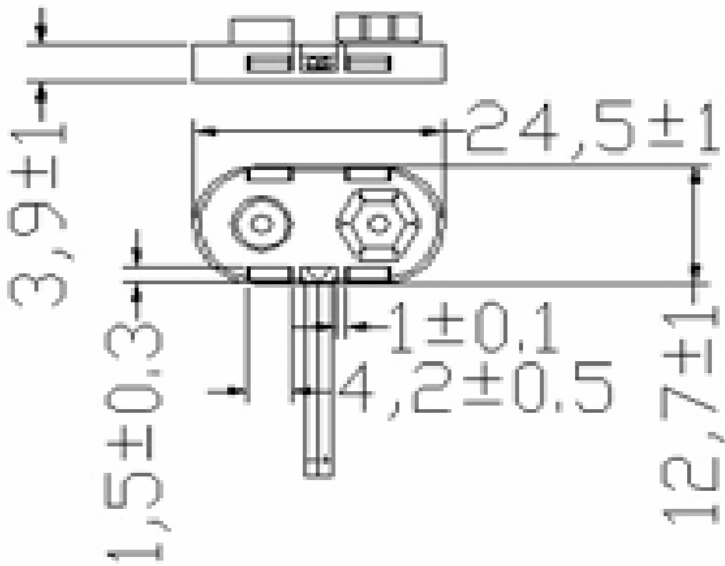




Technical Specification

Wire Size:  
Color of Cable  
length of cable  
Material:  
Material cover:  
Cell Size:  
Contact Material

UL1007 / AWG26  
plus= red / minus= black  
150mm to open end  
Differnt wire on request  
Normaly venyl coated  
9V Cell  
brass with nickel plated



Ordering Information

Serie	Construction	length cable	ROHS	Packing		
-------	--------------	--------------	------	---------	--	--

<b>B24006</b>	<b>SA</b>	<b>150</b>	<b>R</b>	<b>B</b>		
---------------	-----------	------------	----------	----------	--	--

<b>SA=</b> Safety	150mm	<b>N=</b> non ROHS	<b>B=</b> Bulk-Ware
	X=spezial	<b>R=</b> ROHS	<b>IN=</b> Individual

9V Clip	
Part No.:	<b>B24006</b>
Customer:	

DRW:	Jason	CHKD	Wilson	MATL:	Wilson	DATE	06.06.2008
APPD:	Schumi			FINISH	Jamy	Sheet	1 from 1