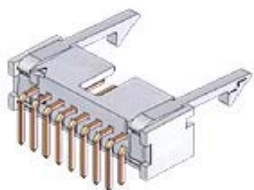


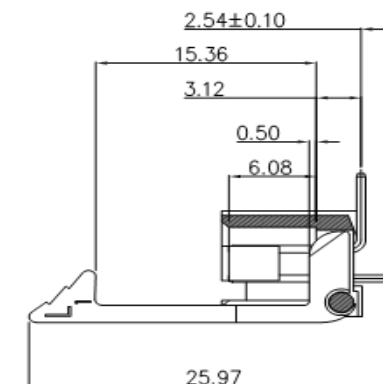
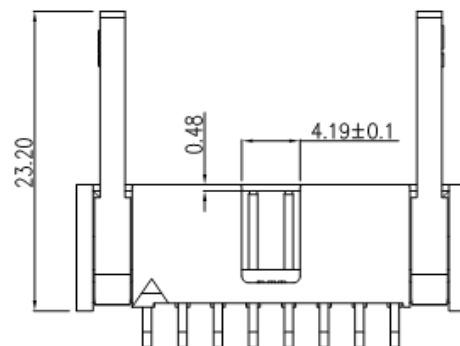
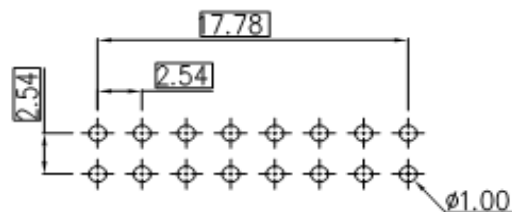
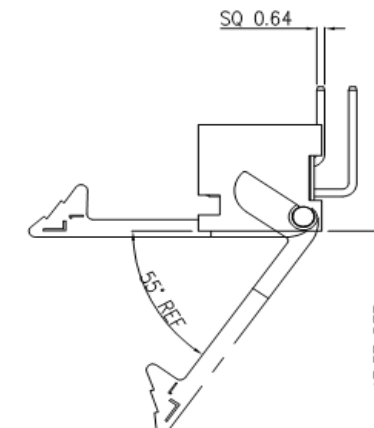
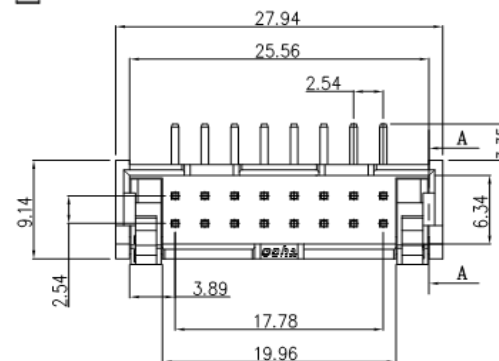
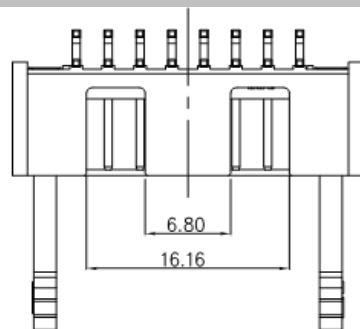
EDCON-COMPONENTS



Specifications

Current Rating:	2,0A
Insulation Resistance:	1000M Ohm min.
Contact Resistance:	20milli Ohm max.
Dielectric Voltage:	1000V AC for one minute
Operating Temperature:	. -40°C ~ to +105°C
Insulator Material:	NY6T / LCP / NY46
Contact Pin:	Brass
Contact Plating:	Gold all over or Selectiv Ni.
Latches:	Zinc Alloy

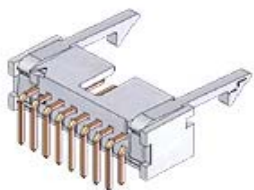
Drawing



Box Header Pitch 2,54x2,54mm	
Part No.:	T16A018
Customer:	

DRW:	Jason	CHKD	Wilson	MATL:	Wilson	TOLERANCE	Mason	DATE	10.04.2009
APPD:	Schumi			FINISH	Jamy			Sheet No.	1 from 4

EDCON-COMPONENTS



Ordering Informations

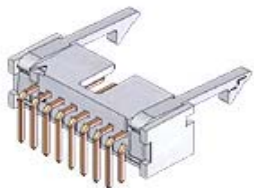
Serie	No. of Pos.	Contact Plating	Material	Color of Body	Pin Length Configuration	Latches	ROHS	Packing		
T16A018	XX	G0	NY	BK	A00	L	R	BU		

XX= 10, 14, 16, 20, 26, 30, 34, 40, 44, 50, 60,	G0= Gold Flash	NY= NY6T	BK= Black	Axx = Look Table	L= Long Latches	N= NO ROHS conform	BU= Bulk Ware
	T0= Tin plated	LC= LCP	WH= White		S= Short Latches	R= ROHS conform	TU= Tube Packing
	GA= 3µ Gold Plating	N4= NY46	YE= Yellow				
	GB= 5µ Gold Plating						
	GC= 10µ Gold Plating						
	GD= 30µ Gold Plating						
	S0= Selectiv Plating Gold Flash / Tin						
SD= Selectiv Tin/ 5µGold							
SD= Selectiv Tin/ 10µ Gold Flash							
SD= Selectiv Tin/ 20µ Gold	SD= Selectiv Tin/ 30µ Gold						

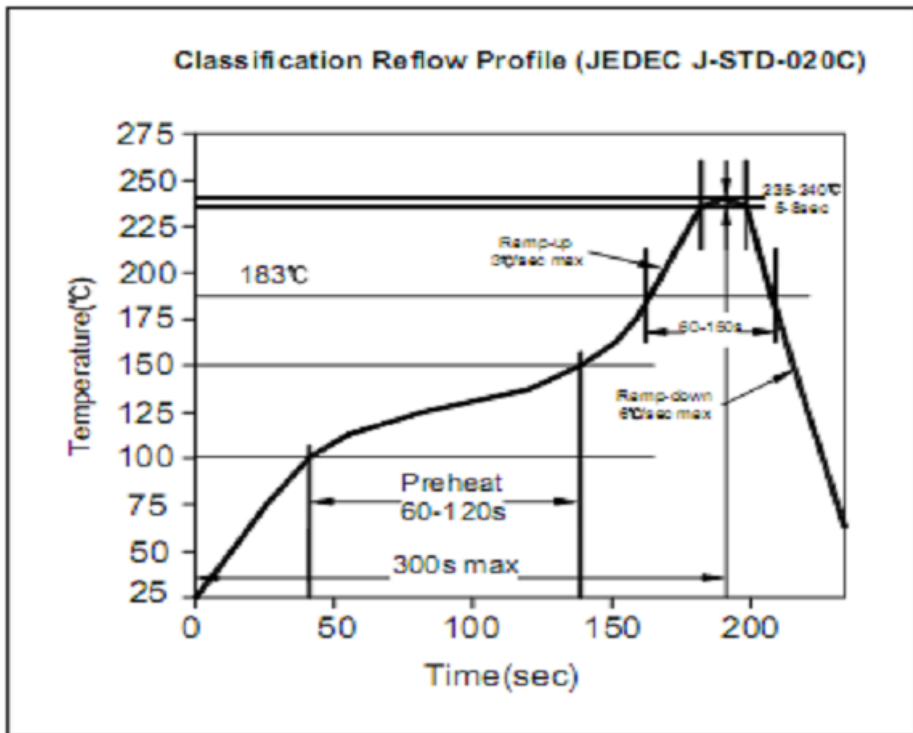
Box Header Pitch 2,54x2,54mm
Part No.: T16A018
Customer:

DRW:	Jason	CHKD	Wilson	MATL:	Wilson	TOLERANCE	Mason	DATE	10.04.2009
APPD:	Schumi			FINISH	Jamy		Sheet No.		3 from 4

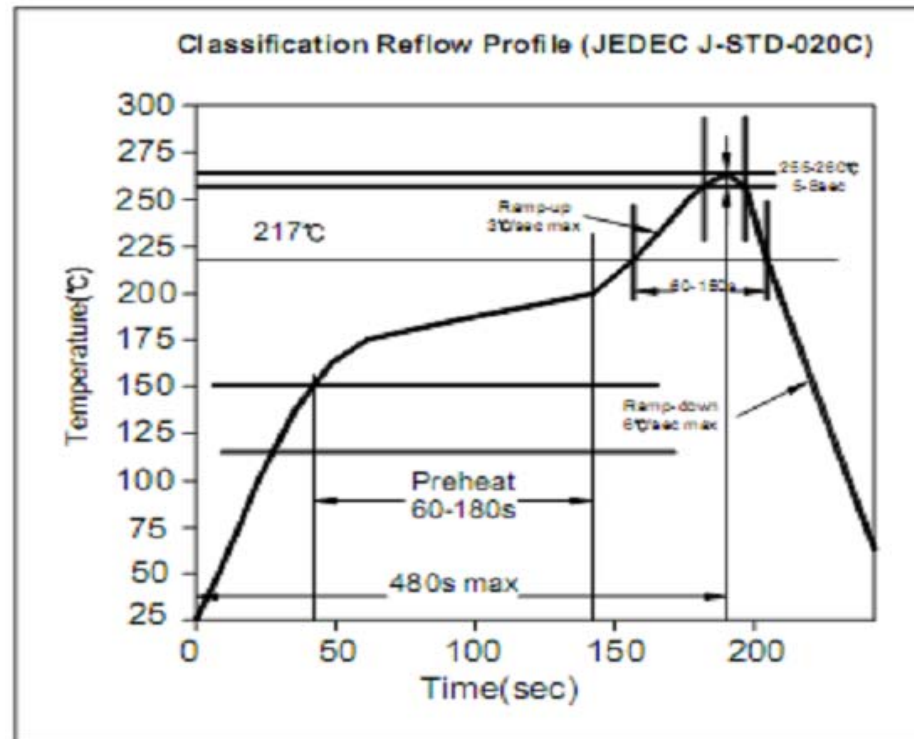
EDCON-COMPONENTS



Soldering Profile for Lead Soldering (P.B.T.)



Soldering Profile for Lead Free Soldering (Nylon 6T)



Box Header Pitch 2,54x2,54mm
Part No.: T16A018
Customer:

DRW:	Jason	CHKD	Wilson	MATL:	Wilson	TOLERANCE	Mason	DATE	10.04.2009
APPD:	Schumi			FINISH	Jamy		Sheet No.	4 from 4	

www.edcon-components.com

email: info@edcon-components.com