

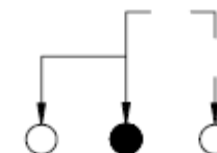
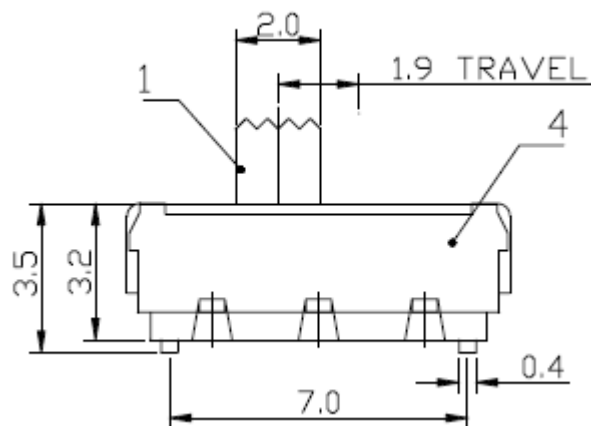
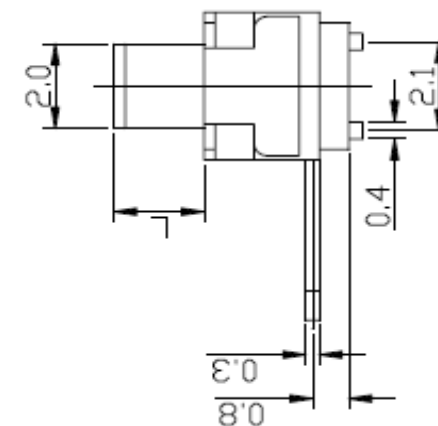
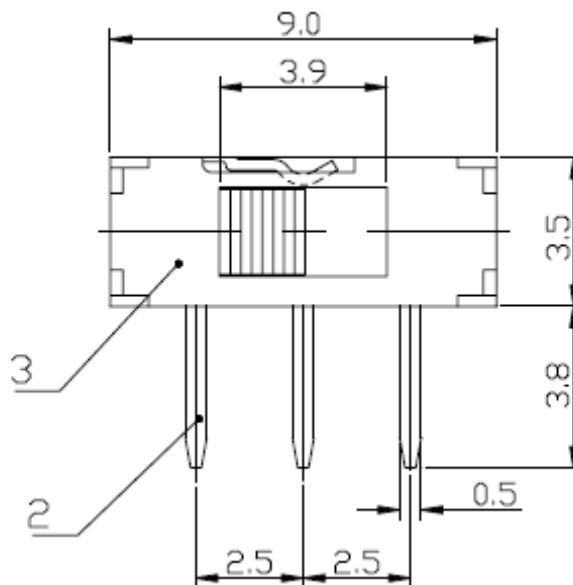
# EDCON-COMPONENTS



## Technical Description

**Rating:** DC12V, 0,1A  
**Circuit:** 1C - 2P  
**Timing:** NON-Shorting  
**Travel:**  $1,9 \pm 0,1$ mm  
**Contact Resistance:** 100 mΩ max.  
**Operating Force:** 200gf  $\pm$ 100gf.  
  
**Operating Life:** 10000 cycles  
**Insulation resistance:** 100MΩ min.at 250VDC  
**Dielectric Strnegth:** 250VAC f. 1 Min.

## Drawing



## THT-SLIDE-Switch

Part No.: **Q62053**

Customer:

DRW:	Jason	CHKD	Wilson	MATL:	Wilson	TOLERANCE	Mason	DATE	01.09.2016
APPD:	Schumi			FINISH	Jamy		Sheet No.	1 from 3	

[www.edcon-components.com](http://www.edcon-components.com)

email: [info@edcon-components.com](mailto:info@edcon-components.com)

# EDCON-COMPONENTS



## Ordering Informations

Serie	Knob Length	Knob Type	Polarisation Peg	Spezial Function	ROHS	Packing				
-------	-------------	-----------	------------------	------------------	------	---------	--	--	--	--

<b>Q62053</b>	<b>A</b>	<b>0</b>	<b>0</b>	<b>0</b>	<b>R</b>	<b>BU</b>				
---------------	----------	----------	----------	----------	----------	-----------	--	--	--	--

<b>A= 2,0mm</b>	<b>0= No function</b>	<b>0= without Peg</b>	<b>0= No function</b>	<b>R= ROHS Conform</b>	<b>BU= Bulk-Ware</b>
<b>B= 2,0mm</b>					<b>TR= Tape Reel</b>
<b>C= 2,0mm</b>					
<b>D= 2,0mm</b>					

**THT-SLIDE-Switch**

Part No.: **Q62053**

DRW:	Jason	CHKD	Wilson	MATL:	Wilson	TOLERANCE	Mason	DATE	01.09.2016
APPD:	Schumi			FINISH	Jamy		Sheet No.	2 from 3	Customer:



Soldering Profile Curve

Classification Reflow Profile (JEDEC J-STD-020C)



**THT-SLIDE-Switch**

Part No.: **Q62053**

Customer:

DRW:	Jason	CHKD	Wilson	MATL:	Wilson	TOLERANCE	Mason	DATE	01.09.2016
APPD:	Schumi			FINISH	Jamy		Sheet No.	3 from 3	