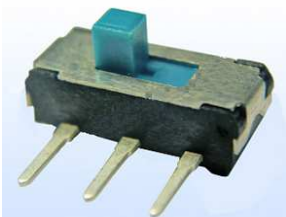


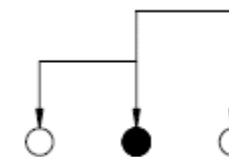
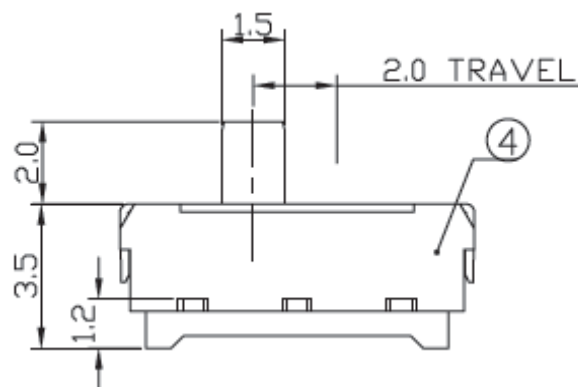
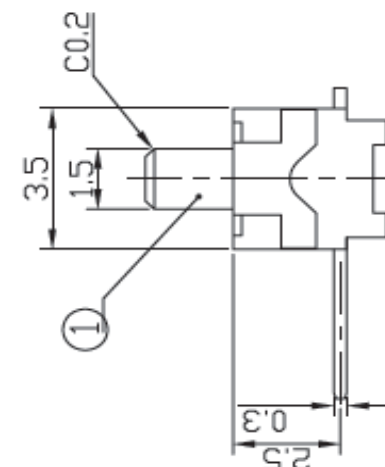
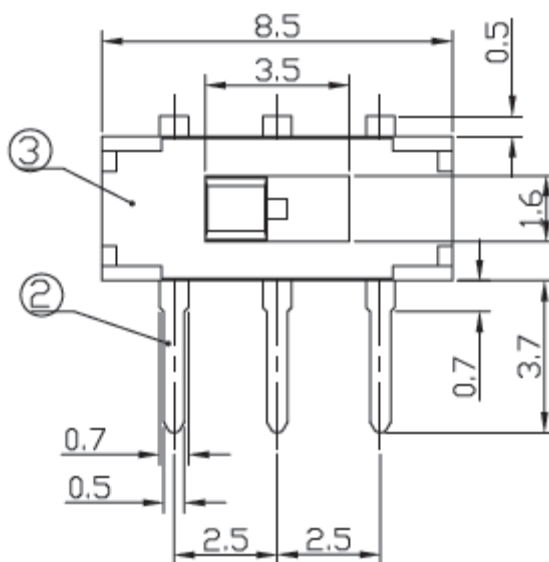
EDCON-COMPONENTS



Technical Discription

Rating: DC6V, 0,3A
 Circuit: 1C-2P
 Timing: NON-Shorting
 Travel: $2,0 \pm 0,1\text{mm}$
 Contact Resistance: $70\ \text{m}\Omega\ \text{max.}$
 Operating Force: $200\text{gf} \pm 100\text{gf.}$
 Operating Life: 100000 cycles
 Insulation resistance: $100\text{M}\Omega\ \text{min. at } 250\text{VDC}$
 Dielectric Strength: $250\text{VAC f. } 1\ \text{Min.}$

Drawing



THT-SLIDE-Switch

Part No.: **Q62051**

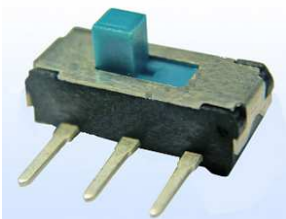
Customer:

DRW:	Jason	CHKD	Wilson	MATL:	Wilson	TOLERANCE	Mason	DATE	31.08.2016
APPD:	Schumi			FINISH	Jamy		Sheet No.	1 from 3	

www.edcon-components.com

email: info@edcon-components.com

EDCON-COMPONENTS



Ordering Informations

Serie	Knob Length	Knob Type	Polarisation Peg	Spezial Function	ROHS	Packing				
-------	-------------	-----------	------------------	------------------	------	---------	--	--	--	--

Q62051	A	0	0	0	R	BU				
---------------	----------	----------	----------	----------	----------	-----------	--	--	--	--

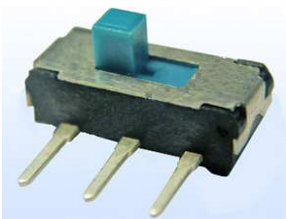
A= 2,0mm	0= No function	0= without Peg	0= No function	R= ROHS Conform	BU= Bulk-Ware
					TR= Tape Reel

THT-SLIDE-Switch

Part No.: **Q62051**

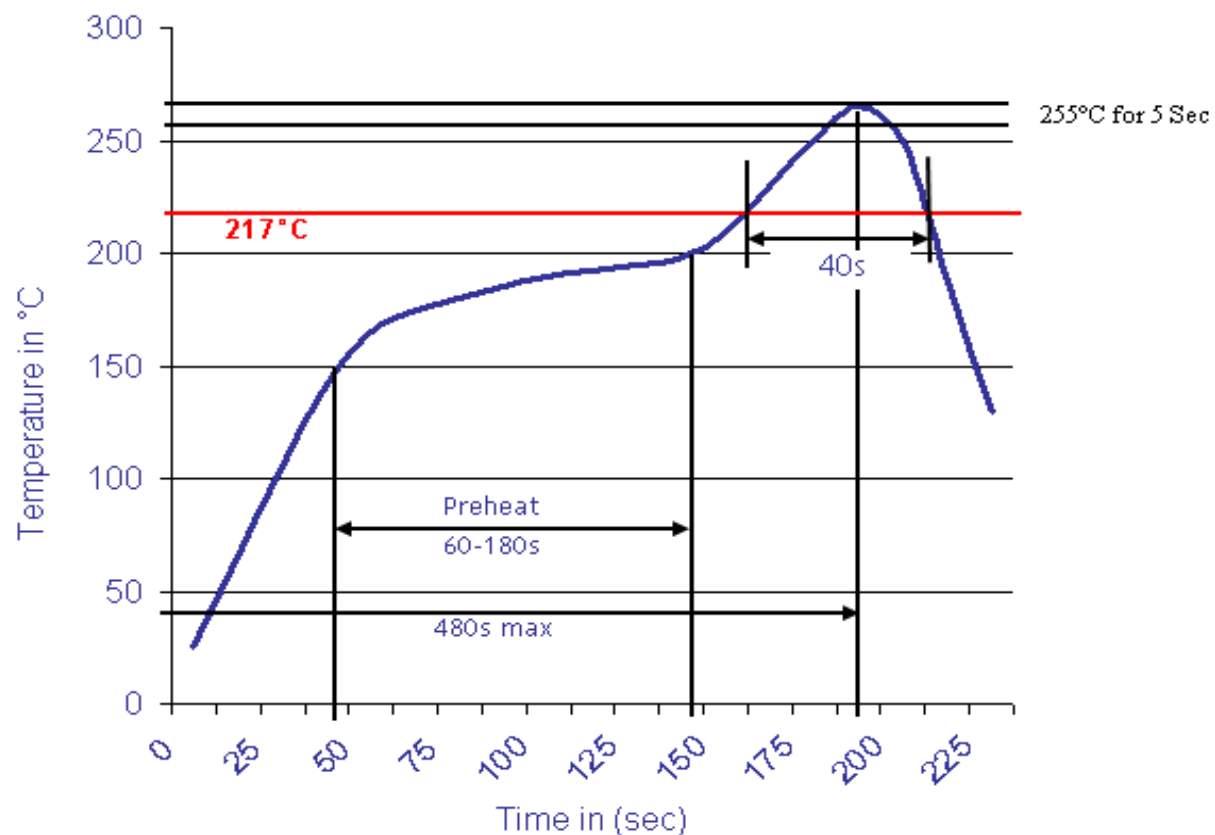
DRW:	Jason	CHKD	Wilson	MATL:	Wilson	TOLERANCE	Mason	DATE	31.08.2016
APPD:	Schumi			FINISH	Jamy		Sheet No.		2 from 3

Customer:



Soldering Profile Curve

Classification Reflow Profile (JEDEC J-STD-020C)



THT-SLIDE-Switch

Part No.: **Q62051**

DRW:	Jason	CHKD	Wilson	MATL:	Wilson	TOLERANCE	Mason	DATE	31.08.2016
APPD:	Schumi			FINISH	Jamy		Sheet No.		3 from 3

Customer:
email: info@edcon-components.com