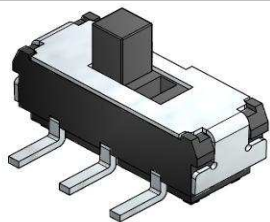


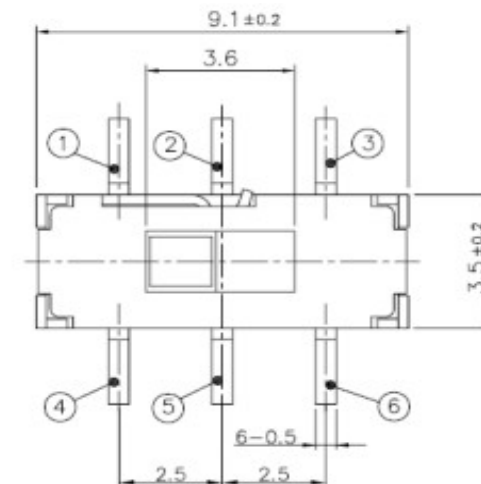
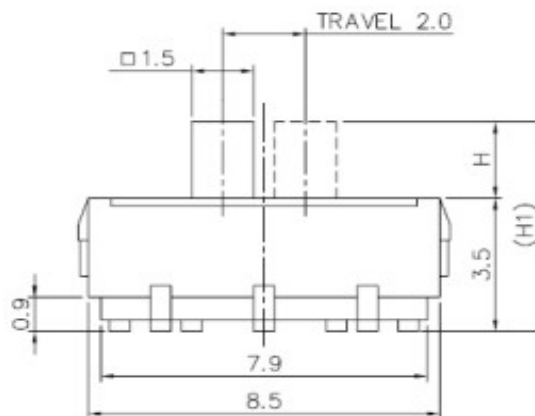
# EDCON-COMPONENTS



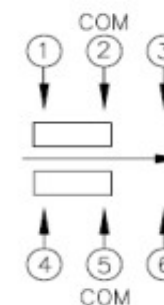
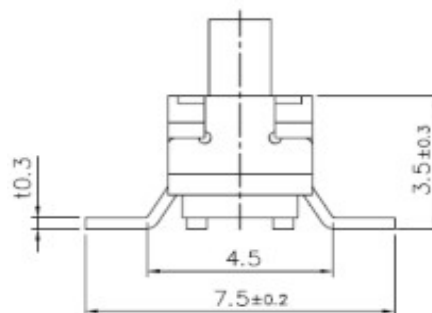
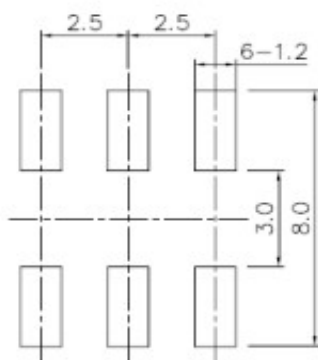
## Technical Description

Rating: DC6V, 0,3A  
 Circuit: 2C-2P  
 Timing: NON-Shorting  
 Travel:  $2,0 \pm 0,1\text{mm}$   
 Contact Resistance: 70 mΩ max.  
 Operating Force: 200± 100gf  
 Stay  
  
 Operating Life: 10000 cycles

## Drawing



## PCB Layout



**SMD-SLIDE-Switch  
3,5mm Height**

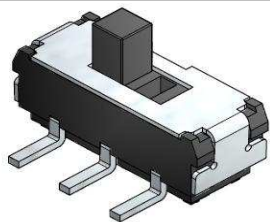
Part No.: **Q62014**

DRW:	Jason	CHKD	Wilson	MATL:	Wilson	TOLERANCE	Mason	DATE	31.08.2016
APPD:	Schumi			FINISH	Jamy		Sheet No.	1 from 3	Customer:

[www.edcon-components.com](http://www.edcon-components.com)

email: [info@edcon-components.com](mailto:info@edcon-components.com)

# EDCON-COMPONENTS



## Ordering Informations

Serie	Knob Length ( H + H1 )	Knob Type	Polarisation Peg	Spezial Function	ROHS	Packing				
-------	---------------------------	-----------	---------------------	---------------------	------	---------	--	--	--	--

<b>Q62014</b>	-	<b>A</b>	<b>0</b>	<b>N</b>	<b>0</b>	<b>R</b>	<b>TR</b>			
---------------	---	----------	----------	----------	----------	----------	-----------	--	--	--

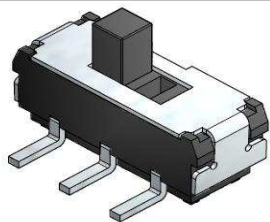
<b>A=</b> H=2,0 H1=5,5mm	<b>0=</b> No function	<b>N=</b> without Peg	<b>0=</b> No function	<b>R=</b> ROHS Conform	<b>BU=</b> Bulk-Ware
<b>B=</b> H=4,0 H1=7,5mm					<b>TR=</b> Tape Reel

**SMD-SLIDE-Switch  
3,5mm Height**

Part No.: **Q62014**

DRW:	Jason	CHKD	Wilson	MATL:	Wilson	TOLERANCE	Mason	DATE	31.08.2016
APPD:	Schumi			FINISH	Jamy		Sheet No.		2 from 3

Customer:



Soldering Profile Curve

Classification Reflow Profile (JEDEC J-STD-020C)



**SMD-SLIDE-Switch  
3,5mm Height**

Part No.: **Q62014**

DRW:	Jason	CHKD	Wilson	MATL:	Wilson	TOLERANCE	Mason	DATE	31.08.2016
APPD:	Schumi			FINISH	Jamy		Sheet No.	3 from 3	Customer: