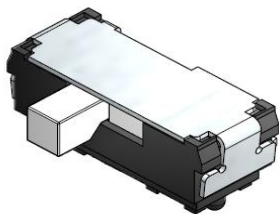


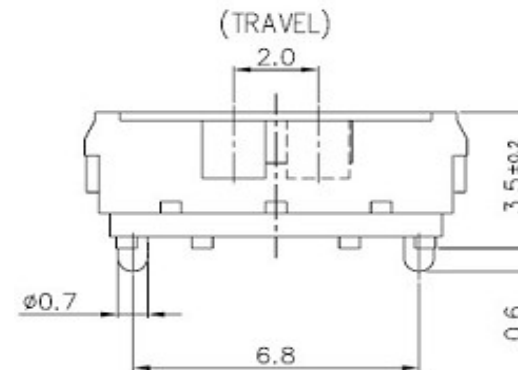
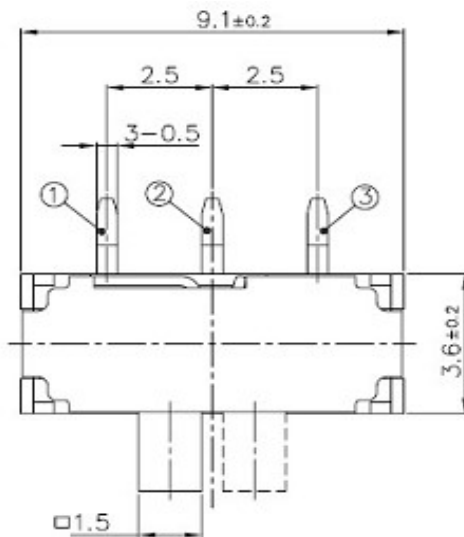
EDCON-COMPONENTS



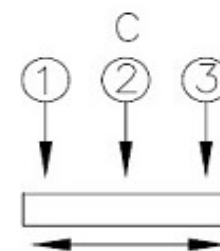
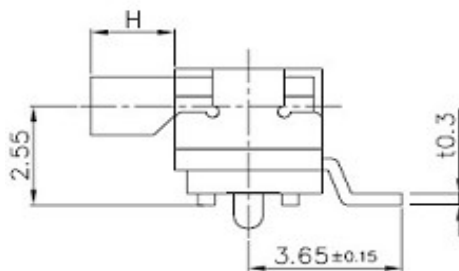
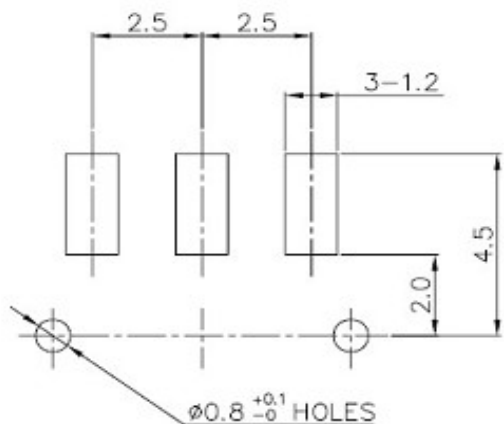
Technical Discription

Rating: DC6V, 0,3A
 Circuit: 1C-2P
 Timing: NON-Shorting
 Travel: $2,0 \pm 0,1\text{mm}$
 Contact Resistance: $70 \text{ m}\Omega \text{ max.}$
 Operating Force: $200 \pm 100\text{gf}$
 Operating Life: 10000 cycles

Drawing



PCB Layout



SMD-SLIDE-Switch

Part No.: **Q62006**

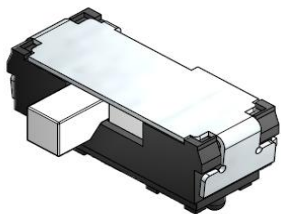
DRW:	Jason	CHKD	Wilson	MATL:	Wilson	TOLERANCE	Mason	DATE	12.12.2023
APPD:	Schumi			FINISH	Jamy		Sheet No.		1 from 3

Customer:

www.edcon-components.com

email: info@edcon-components.com

EDCON-COMPONENTS



Ordering Informations

Serie	Knob Length (H)	Knob Type	Spezial Function	Spezial Function	ROHS	Packing				
Q62006	A	0	0	0	R	TR				

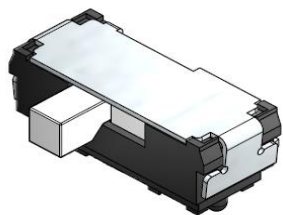
A= 2mm	0= No function	0= No function	0= No function	R= ROHS Conform	BU= Bulk-Ware
B= 4mm					
					TR= Tape Reel

SMD-SLIDE-Switch

Part No.: **Q62006**

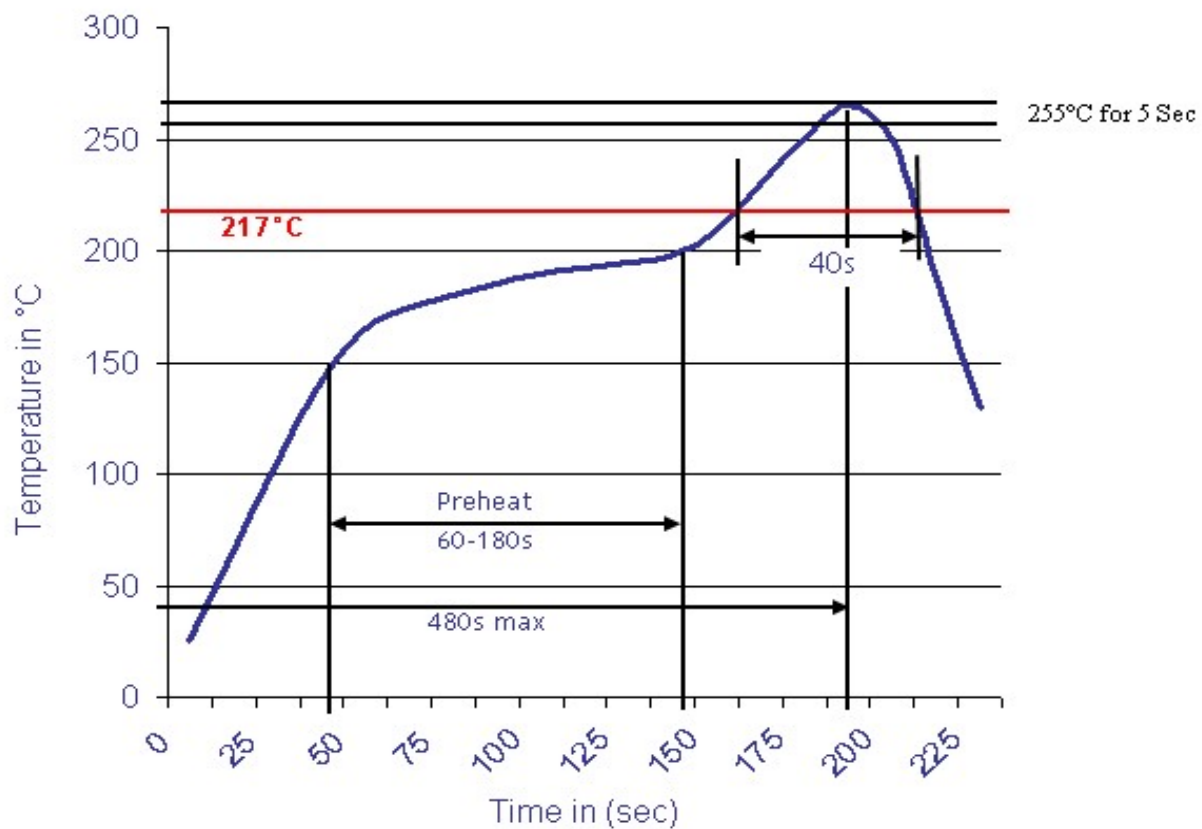
DRW:	Jason	CHKD	Wilson	MATL:	Wilson	TOLERANCE	Mason	DATE	12.12.2023
APPD:	Schumi			FINISH	Jamy		Sheet No.		2 from 3

Customer:



Soldering Profile Curve

Classification Reflow Profile (JEDEC J-STD-020C)



SMD-SLIDE-Switch	
Part No.:	Q62006
Customer:	

DRW:	Jason	CHKD:	Wilson	MATL:	Wilson	TOLERANCE:	Mason	DATE:	12.12.2023
APPD:	Schumi			FINISH:	Jamy		Sheet No.		3 from 3