

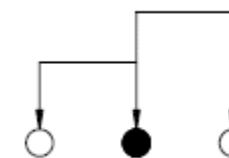
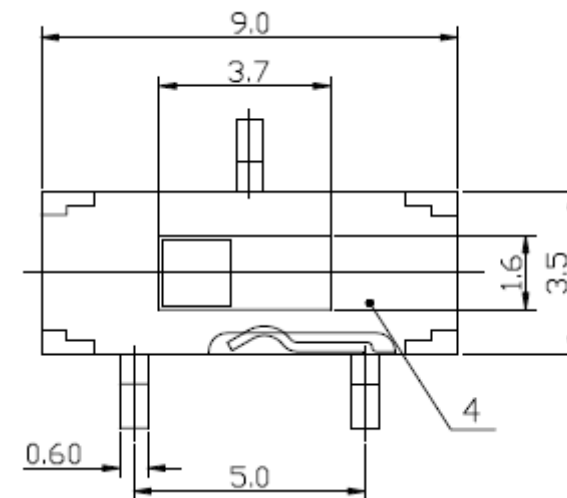
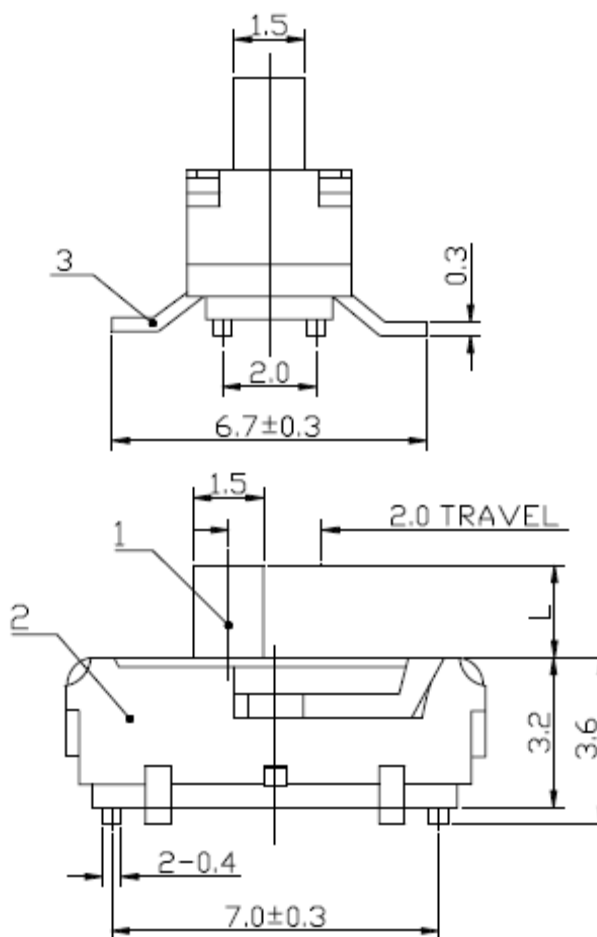
# EDCON-COMPONENTS



## Technical Discription

Rating: DC6V, 0,3A  
 Circuit: 1C-2P  
 Timing: NON-Shorting  
 Travel:  $2,0 \pm 0,1\text{mm}$   
 Contact Resistance:  $70\text{ m}\Omega\text{ max.}$   
 Operating Force:  $200\text{gf} \pm 100\text{gf.}$   
 Operating Life: 10000 cycles

## Drawing



## SMD-SLIDE-Switch

Part No.: **Q62004**

Customer:

DRW:	Jason	CHKD	Wilson	MATL:	Wilson	TOLERANCE	Mason	DATE	31.08.2016
APPD:	Schumi			FINISH	Jamy		Sheet No.	1 from 3	

# EDCON-COMPONENTS



## Ordering Informations

Serie	Knob Length	Knob Type	Polarisation Peg	Spezial Function	ROHS	Packing				
-------	-------------	-----------	------------------	------------------	------	---------	--	--	--	--

<b>Q62004</b>	<b>A</b>	<b>0</b>	<b>Y</b>	<b>0</b>	<b>R</b>	<b>TR</b>				
---------------	----------	----------	----------	----------	----------	-----------	--	--	--	--

<b>A= 2,0mm</b>	<b>0= No function</b>	<b>Y= with Peg</b>	<b>0= No function</b>	<b>R= ROHS Conform</b>	<b>BU= Bulk-Ware</b>
<b>B= 3,0mm</b>					<b>TR= Tape Reel</b>
<b>C= 4,0mm</b>					
<b>D= 5,0mm</b>					

**SMD-SLIDE-Switch**

Part No.: **Q62004**

DRW:	Jason	CHKD	Wilson	MATL:	Wilson	TOLERANCE	Mason	DATE	31.08.2016
APPD:	Schumi			FINISH	Jamy		Sheet No.		2 from 3

Customer:



Soldering Profile Curve

Classification Reflow Profile (JEDEC J-STD-020C)



**SMD-SLIDE-Switch**

Part No.: **Q62004**

DRW:	Jason	CHKD	Wilson	MATL:	Wilson	TOLERANCE	Mason	DATE	31.08.2016
APPD:	Schumi			FINISH	Jamy		Sheet No.	3 from 3	Customer: