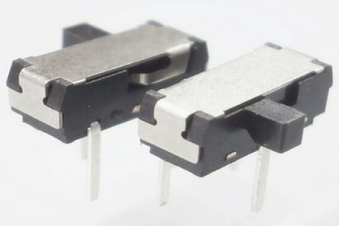


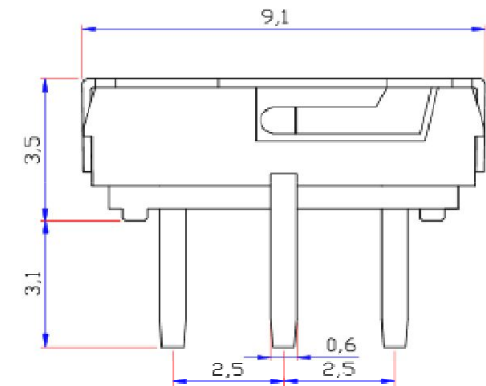
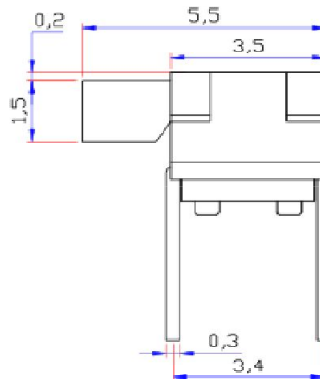
EDCON-COMPONENTS



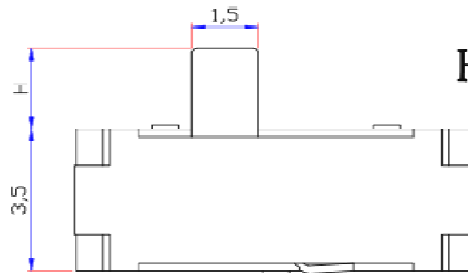
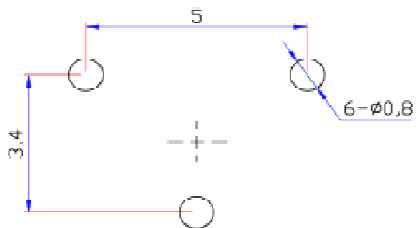
SPECIFICATION:

Current Rating:	0,1 Ampere / 12VDC
Insulator Resistance:	100 Megaohm min. at 500VDC
Dielectric Withstanding:	AC 250V
Operating Temperature:	.-25°C to +70°C
Contact Resistance:	50m Ω max.
Timing:	NON-shorting
Function:	1P2T
Lifetest:	10000 cycles
Contact Material:	PBS
Cover:	SUS Nature
Terminal:	Brass strip Ag plated
Case Material:	Nylon
Knob Material:	Nylon

Drawing



P.C.B Layout



H=2. 0/3. 0/4. 0

Miniature Switch Side Type

Part No.: **Q61021**

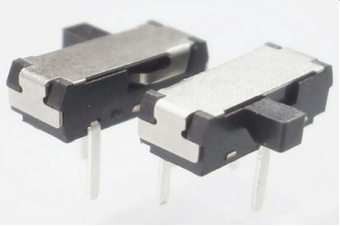
Customer:

DRW:	Jason	CHKD	Wilson	MATL:	Wilson	TOLERANCE	Mason	DATE	26.10.2022
APPD:	Schumi			FINISH	Jamy		Sheet No.		1 from 2

www.edcon-components.com

email: info@edcon-components.com

EDCON-COMPONENTS



Ordering Informations

Serie	Knob Length	Special function	Electrical life	Special function	ROHS	Packing				
Q61021	020	N	103	N	R	BU				

020 = 2,0mm	N = No function	103 = 10000 Cycles	N = No function	N = non ROHS	BU = Bulk Ware		
030 = 3,0mm				R = ROHS conform	IV = Individual Package		
040 = 4,0mm							

Miniature Switch Side Type
Part No.: Q61021
Customer:

DRW:	Jason	CHKD	Wilson	MATL:	Wilson	TOLERANCE	Mason	DATE	26.10.2022
APPD:	Schumi			FINISH	Jamy		Sheet No.		2 from 2