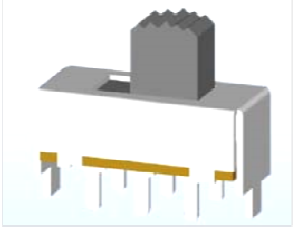


EDCON-COMPONENTS



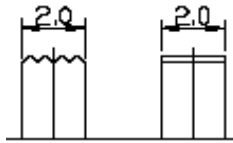
SPECIFICATION:

Current Rating:	0,5 Ampere
DC- Voltage	50 VDC
Dielectric Withstanding:	AC 500V / 1 minute
Operating Temperature:	.-40°C to +105°C
Function:	2P2T
Timing:	Non-Shorting
Contact Resistance:	20m Ω max.
Insulation Resistance:	100M Ω min at 500VDC
Life Test:	10000 cycles
Operating Force:	1,47 ~ 4,41N

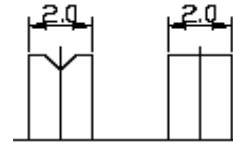
Material of Switch

Board:	1 Phenolic Resin (Nature)
Contact Clip:	1 PBS Strip (Nature)
Frame:	1 Iron Strip (Ni plated)
Terminal:	3 Brass Strip (Ag Plated)
Knob:	1 POM (Black)
Spring:	2 Steel Wire (Nature)

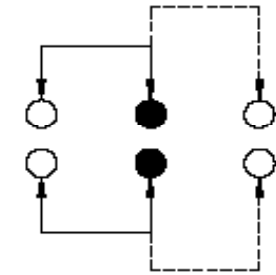
Knop Type



Type A



Type B



Circuit

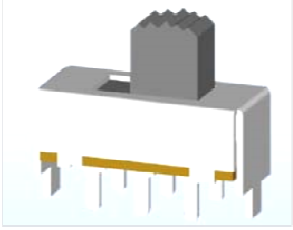
THT Slide-Switch

Part No.: **Q13179**

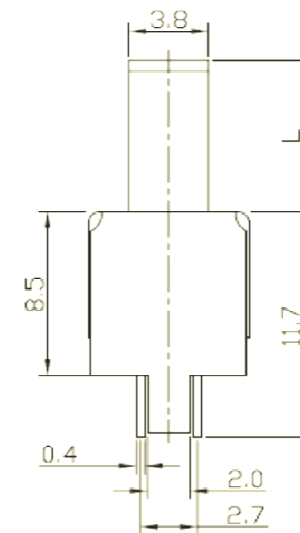
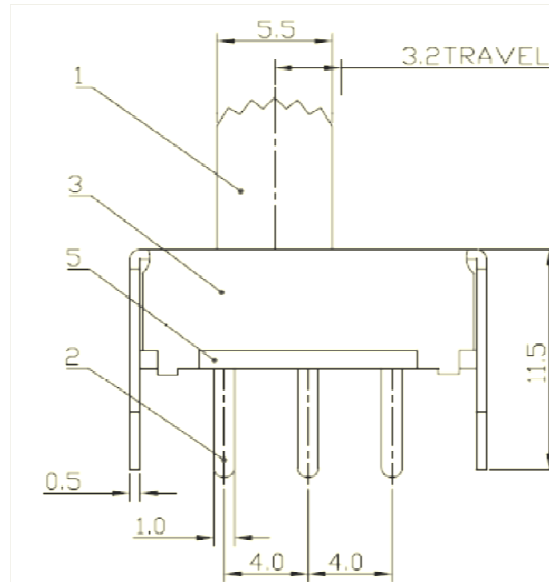
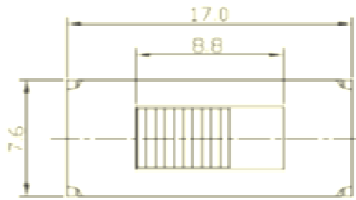
Customer:

DRW:	Jason	CHKD	Wilson	MATL:	Wilson	TOLERANCE	Mason	DATE	01.11.2021
APPD:	Schumi			FINISH	Jamy		Sheet No.		1 from 4

EDCON-COMPONENTS



Drawing



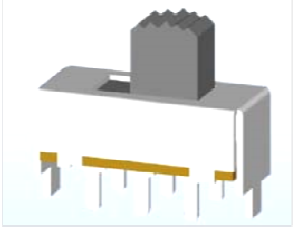
THT Slide-Switch

Part No.: **Q13179**

Customer:

DRW:	Jason	CHKD	Wilson	MATL:	Wilson	TOLERANCE	Mason	DATE	01.11.2021
APPD:	Schumi			FINISH	Jamy		Sheet No.	2 from 4	

EDCON-COMPONENTS



Ordering Informations

Serie	Knob Type	Knob Length	Circuit	Special function A	Special function B	ROHS	Packing			
Q13179	A	02	N	N	N	R	BU			

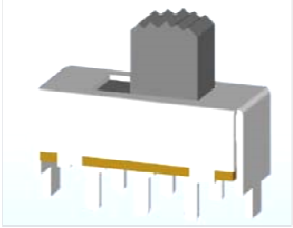
A= Type A	02= Length 2,0mm	N= Non Shorting	N= No function	N= No function	R= ROHS Conform	BU= BULK-WARE
B= Type B	L= 2 ~ 15mm				N= NON ROHS Conform	IV= Individual Package

THT Slide-Switch

Part No.: **Q13179**

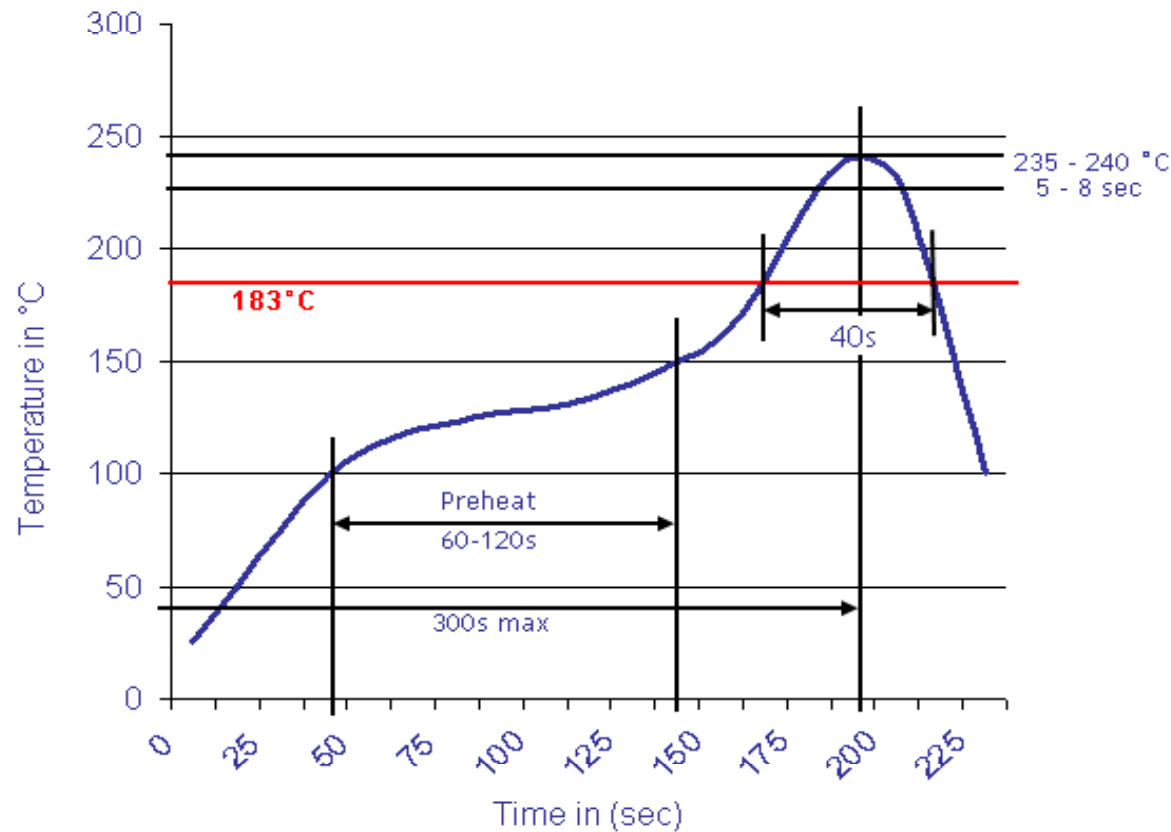
DRW:	Jason	CHKD	Wilson	MATL:	Wilson	TOLERANCE	Mason	DATE	01.11.2021
APPD:	Schumi			FINISH	Jamy		Sheet No.		3 from 4

Customer:



Soldering Profile Curve

Classification Reflow Profile (JEDEC J-STD-020C)



THT Slide-Switch	
Part No.:	Q13179
Customer:	

DRW:	Jason	CHKD	Wilson	MATL:	Wilson	TOLERANCE	Mason	DATE	01.11.2021
APPD:	Schumi			FINISH	Jamy		Sheet No.	4 from 4	