

EDCON-COMPONENTS

Data Sheet Valve Connector 2 + PE



Technical Specification

| | |
|-----------------------|-------------------------|
| Construction Type: | A |
| Standard: | DIN EN 175 301-803-A |
| Temperature rated: | -40°C ~ +125°C |
| Locking System: | Central screw (M3x35mm) |
| Termination: | soldering |
| Pin Dimension: | 6,3x0,8mm |
| Mechanical Operation: | > 50 mating cycles |
| Protection grade: | IP65 |
| Color: | Black |

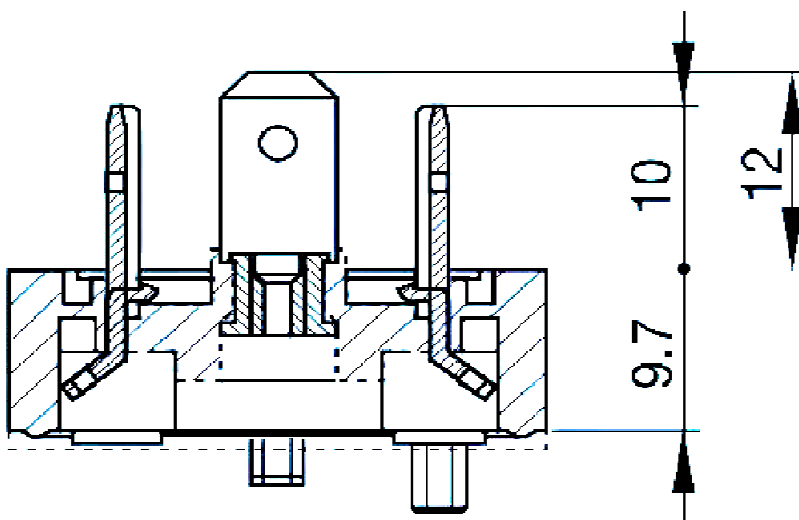
Electrical Specification

| | |
|------------------------|---------------|
| Rated voltage: | 250V |
| Rated impulse voltage: | 800V/4000V |
| Rated current: | 16A |
| Insulation resistance: | >20 M Ohm |
| Contact resistance: | < 4 milli Ohm |

Material

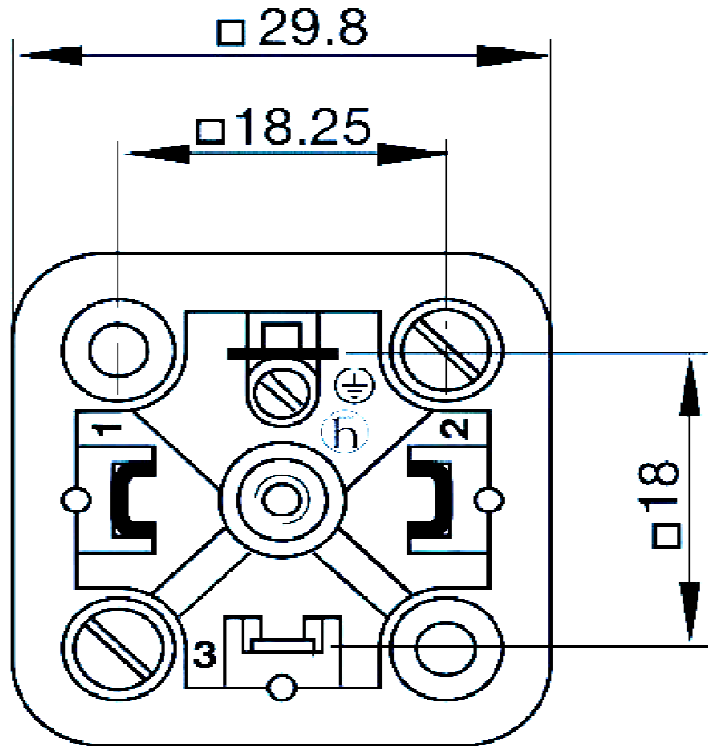
| | |
|----------|----------------------|
| Body: | PA |
| Contact: | Ps w. copper plating |
| Screw: | steel w. Zn plating |

Technical Drawing



EDCON-COMPONENTS

Data Sheet Valve Connector 2 + PE



Ordering Information

| Serie | Type | | | | | |
|--------|-----------|--|--|--|--|--|
| T83024 | 2+PE | | | | | |
| | 2pos + PE | | | | | |
| | | | | | | |

Valve Connector Serie FINECABLES