

EDCON-COMPONENTS

Data Sheet Valve Connector 2 + PE



Technical Specification

Construction Type:	A
Standard:	DIN EN 175 301-803-A
Temperature rated:	-40°C ~ +125°C
Locking System:	Central screw (M3x35mm)
Termination:	soldering
Pin Dimension:	6,3x0,8mm
Mechanical Operation:	> 50 mating cycles
Protection grade:	IP65

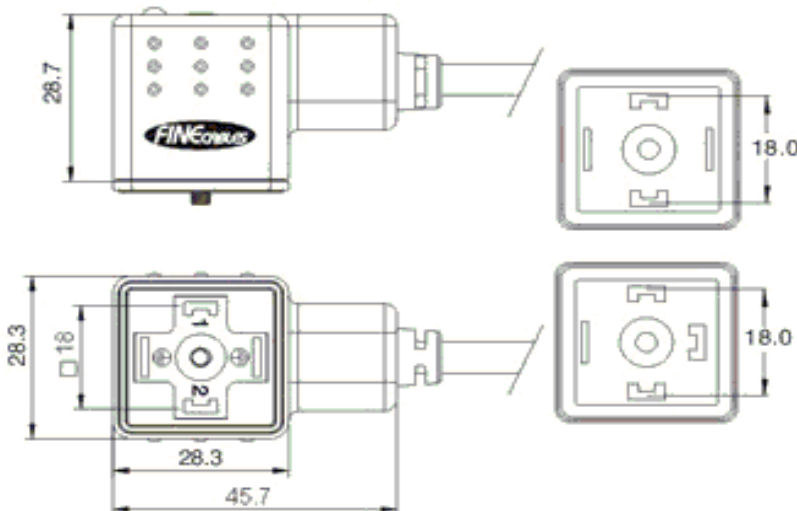
Electrical Specification

Rated voltage:	24V/250V
Rated impulse voltage:	800V/4000V
Rated current:	10A
Insulation resistance:	>20 M Ohm
Contact resistance:	< 4 milli Ohm

Material

Top cover:	PC
Bottom cover:	PBT+GF
Contact:	PS with Silver plating
PCB:	FR-4
Screw:	Steel w. Zn plating
Mat.:	TPU/NBR
Overmold:	TPU

Technical Drawing



EDCON-COMPONENTS

Data Sheet Valve Connector 2 + PE



Valve Connector Serie FINECABLES

Ordering Information

Serie	Type					
T83007	2+PE					
	2pos + PE					