

EDCON-COMPONENTS

Data Sheet Valve Connector with LED



Technical Specification

Construction Type:	A
Standard:	DIN EN 175 301-803-A
Temperature rated:	-40°C ~ +90°C
Locking System:	Central screw (M3x35mm)
Termination:	soldering
Pin Dimension:	6,3x0,8mm
Mechanical Operation:	> 50 mating cycles
Protection grade:	IP65
Suitable cables:	4.5-10mm Dia.
Body Color:	Transparent
LED color:	Red

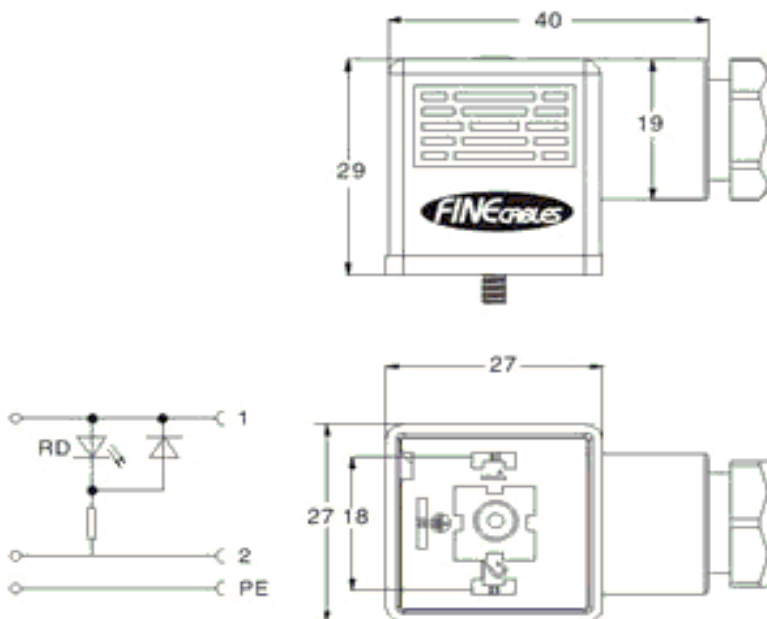
Electrical Specification

Rated voltage:	24V
Rated current:	8A
Insulation resistance:	>20 M Ohm
Contact resistance:	< 4 milli Ohm

Material

Top cover:	PC
Bottom cover:	PA
Contact:	PS w. Silver plating
PCB:	FR-4
Screw	Steel with Zn plating
Gasket:	NBR

Technical Drawing



Valve Connector Serie FINECABLES

EDCON-COMPONENTS

Data Sheet Valve Connector with LED



Valve Connector Serie FINECABLES

Ordering Information

Serie	Type					
T83003	ALED					
	A + LED					