

EDCON-COMPONENTS

Data Sheet Valve Connector 2 + PE



Technical Specification

Construction Type: A
 Standard: DIN EN 175 301-803-A
 Temperature rated: -40°C ~ +125°C
 Locking System: Central screw (M3x35mm)
 Termination: soldering
 Pin Dimension: 6,3x0,8mm
 Mechanical Operation: > 50 mating cycles
 Protection grade: IP65
 Color: Black

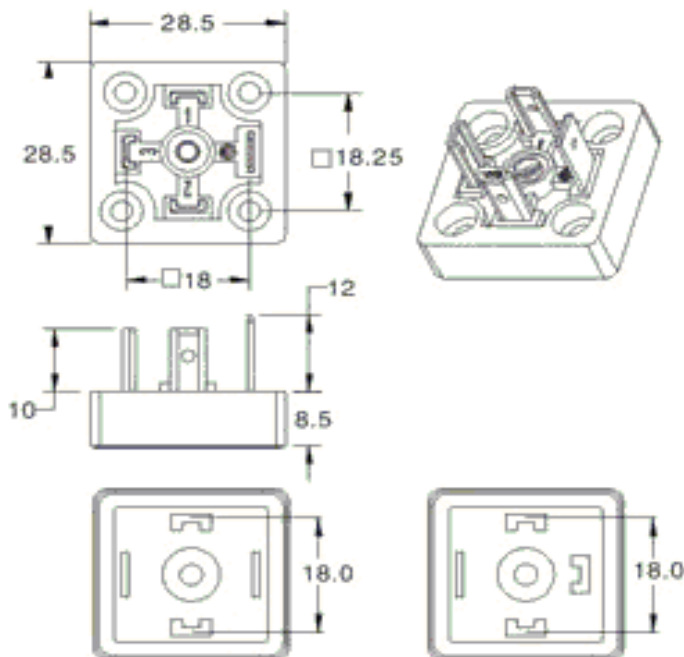
Electrical Specification

Rated voltage: 250V
 Rated impulse voltage: 800V/4000V
 Rated current: 16A
 Insulation resistance: >20 M Ohm
 Contact resistance: < 4 milli Ohm

Material

Body: PA
 Contact: Ps w. copper plating
 Screw: steel w. Zn plating

Technical Drawing



Valve Connector Serie FINECABLES

EDCON-COMPONENTS

Data Sheet Valve Connector 2 + PE



Valve Connector Serie FINECABLES

Ordering Information

Serie	Type					
T83001	2+PE					
	2pos + PE					