

# EDCON-COMPONENTS

## Data Sheet M12 Serie



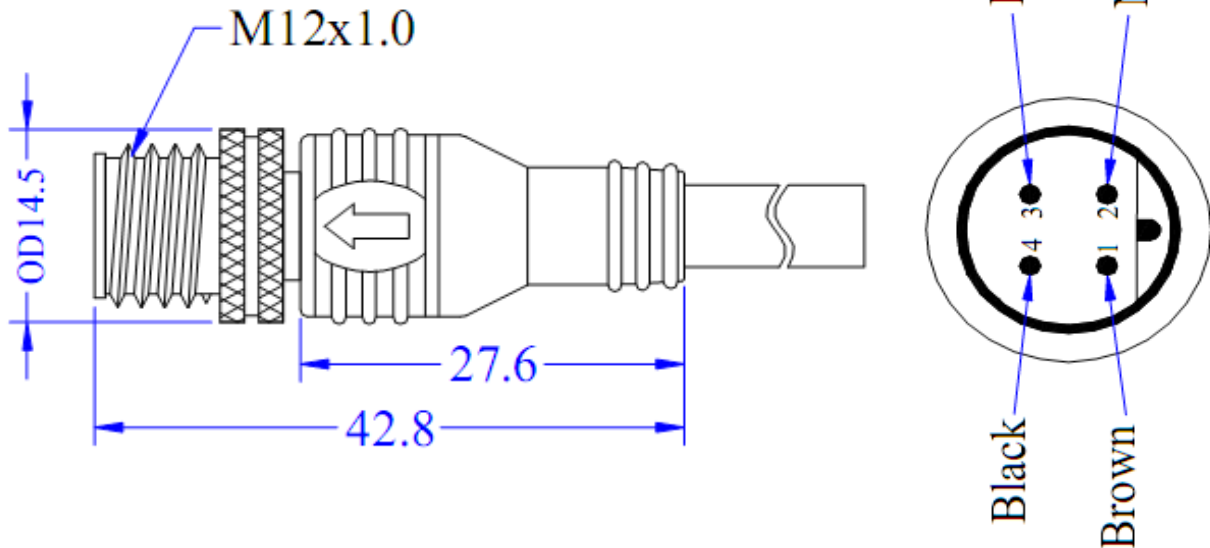
### Technical Specification

Connector Type	Sensor ( M-Serie)
Connector Spec.	M12 Sensor Connector
Number of contacts	3 contacts
Shielding:	No
Connector Body	Metall / Plastic
Contact Type	Male Type
Assembly Style	Molded Style
Insert:	PA + GF
Contact Mat.:	Brass w. Gold Plating
Scre Nut:	Brass w. Nickel Plated
O-Ring:	FKM
Overmold:	TPU
Cable Type:	PVC Cable
Conductor:	0,34mm <sup>2</sup> max.
Wire Isolation:	PVC
Wire Color:	Brown,Blue,Black
Jacket:	PVC
Jacket Color:	Black ( other colors option
Cable length:	Max. 99 Meter.
Code:	B

### Electrical Specification

Standard:	IEC 60947-5-2
Operating Temperature	.-10°C ~ +70°C
Poles:	3 contacts
Rated Current:	4A
Nominal Voltage:	250V/AC 300V/DC
Insulation Resistance:	> 20M Ohm
Contact Resistance:	< 5 milli Ohm
Degree of Protection:	IP67
Only in locked position with ist proper counterparts	

### Technical Drawing



Sensor Connector Type M12

# EDCON-COMPONENTS

## Data Sheet M12 Serie



Sensor Connector Type M12

### Ordering Information

Serie	Contacts	Connector type	Cable Colour	Length of cable	Style side two	
<b>T61156</b>	<b>3</b>	<b>M</b>	<b>BK</b>	<b>xxxxx</b>	<b>C</b>	
	<b>3= 3 contacts</b>	<b>M= Male</b>	<b>BK = Black (Standard)</b> other colors on request	<b>00100 = 100mm</b> <b>01000 = 1,0Meter</b>	<b>C= Cut Type</b> <b>A= 100mm open end</b> 5mm tinned ends	