

EDCON-COMPONENTS

Data Sheet M12 Serie



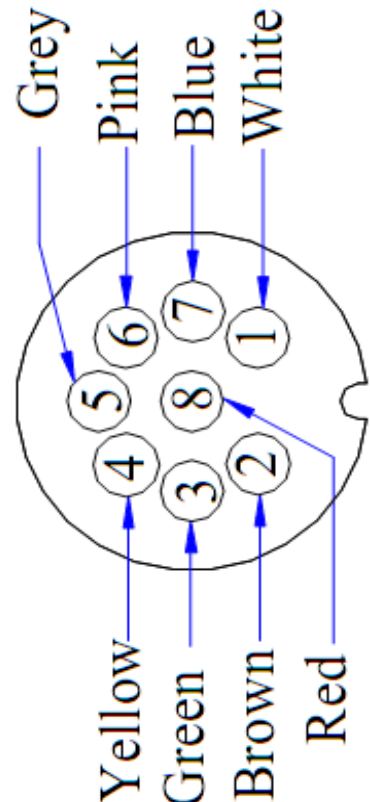
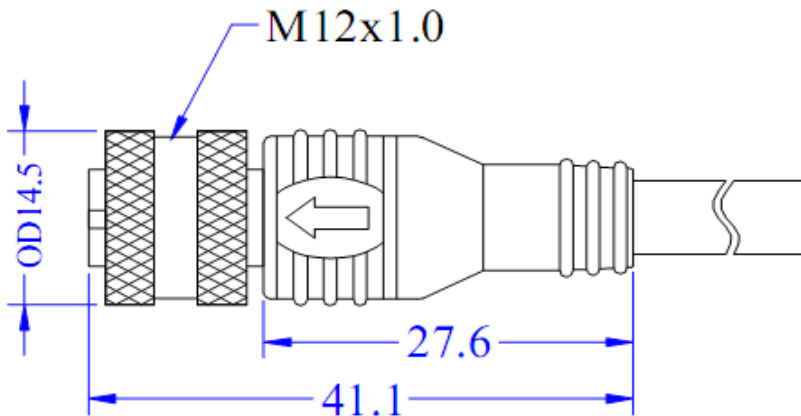
Technical Specification

| | |
|--------------------|---|
| Connector Type | Sensor (M-Serie) |
| Connector Spec. | M12 Sensor Connector |
| Number of contacts | 8 contacts |
| Shielding: | No |
| Connector Body | Metall / Plastic |
| Contact Type | Female Type |
| Assembly Style | Molded Style |
| Insert: | PA + GF |
| Contact Mat.: | Brass w. Gold Plating |
| Scre Nut: | Brass w. Nickel Plated |
| O-Ring: | FKM |
| Overmold: | TPU |
| Cable Type: | PVC Cable |
| Conductor: | 0,34mm ² max. |
| Wire Isolation: | PVC |
| Wire Color: | White,Blue,Pink,Grey,Yellow,Green,Brown,Red |
| Jacket: | PVC |
| Jacket Color: | Black (other colors option |
| Cable length: | Max. 99 Meter. |
| Code: | A |

Electrical Specification

| | |
|--|----------------|
| Standard: | IEC 60947-5-2 |
| Operating Temperature | .-10°C ~ +70°C |
| Poles: | 8 contacts |
| Rated Current: | 1,5A |
| Nominal Voltage: | 30V/AC 36V/DC |
| Insulation Resistance: | > 20M Ohm |
| Contact Resistance: | < 5 milli Ohm |
| Degree of Protection: | IP67 |
| Only in locked position with ist proper counterparts | |

Technical Drawing



Sensor Connector Type M12

EDCON-COMPONENTS

Data Sheet M12 Serie



Sensor Connector Type M12

Ordering Information

| Serie | Contacts | Connector type | Cable Colour | Length of cable | Style side two | |
|---------------|----------------------|------------------|---|---|---|--|
| T61142 | 8 | F | BK | xxxxx | C | |
| | 8= 8 contacts | F= Female | BK = Black (Standard) other colors on request | 00100 = 100mm 01000 = 1,0Meter | C= Cut Type A= 100mm open end 5mm tinned ends | |