

# EDCON-COMPONENTS

## Data Sheet M12 Serie



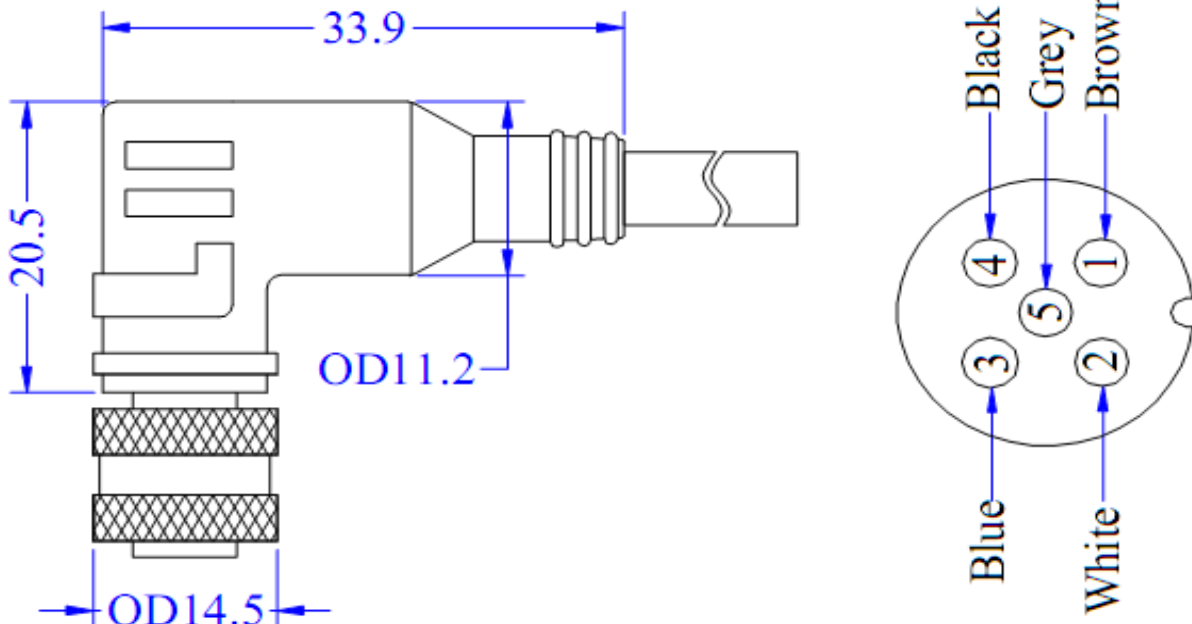
### Technical Specification

Connector Type	Sensor ( M-Serie)
Connector Spec.	M12 Sensor Connector
Number of contacts	5 contacts
Shielding:	No
Connector Body	Metall / Plastic
Contact Type	Female Type
Assembly Style	Molded Style
Insert:	PA + GF
Contact Mat.:	Brass w. Gold Plating
Scre Nut:	Brass w. Nickel Plated
O-Ring:	FKM
Overmold:	TPU
Cable Type:	PVC Cable
Conductor:	0,34mm <sup>2</sup> max.
Wire Isolation:	PVC
Wire Color:	Brown,Blue,Black,Grey,White
Jacket:	PVC
Jacket Color:	Black ( other colors option
Cable length:	Max. 99 Meter.
Code:	A

### Electrical Specification

Standard:	IEC 60947-5-2
Operating Temperature	.-10°C ~ +70°C
Poles:	5 contacts
Rated Current:	4A
Nominal Voltage:	60VAC / 72VDC
Insulation Resistance:	> 20M Ohm
Contact Resistance:	< 5 milli Ohm
Degree of Protection:	IP67
Only in locked position with ist proper counterparts	

### Technical Drawing



Sensor Connector Type M12

# EDCON-COMPONENTS

## Data Sheet M12 Serie



Sensor Connector Type M12

### Ordering Information

Serie	Contacts	Connector type	Cable Colour	Length of cable	Style side two	
<b>T61130</b>	<b>5</b>	<b>F</b>	<b>BK</b>	<b>xxxxx</b>	<b>C</b>	
	5= 5 contacts	F= Female	<b>BK</b> = Black (Standard) other colors on request	<b>00100</b> = 100mm <b>01000</b> = 1,0Meter	<b>C</b> = Cut Type <b>A</b> = 100mm open end 5mm tinned ends	