

EDCON-COMPONENTS

Data Sheet M12 Serie



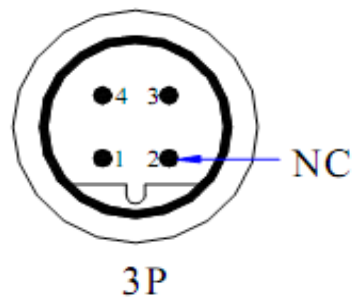
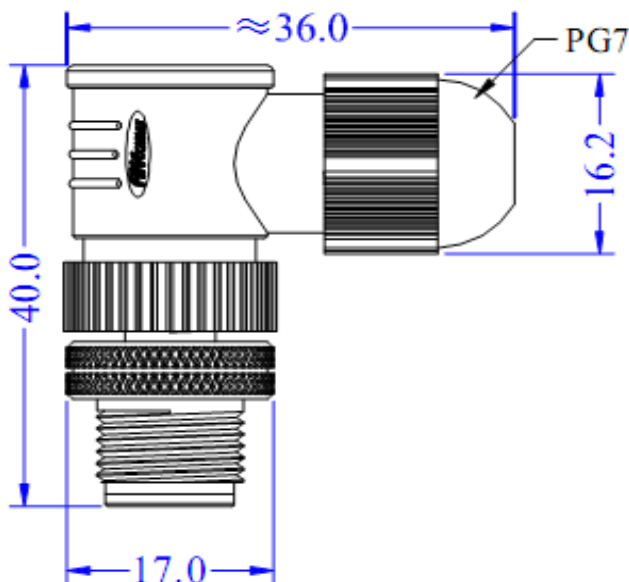
Technical Specification

| | |
|--------------------|--------------------------|
| Connector Type | Sensor (M-Serie) |
| Connector Spec. | M12 Sensor Connector |
| Number of contacts | 3 contacts |
| Connector Body | Metall / Plastic |
| Contact Type | Male Type |
| Assembly Style | Cable Style |
| Insert: | PA + GF |
| Contact Mat.: | Brass w. Gold Plating |
| Screw/Nut: | Brass w. Nickel Plating |
| O-Ring: | FKM |
| Body: | PA + Glass filber |
| Color: | Black |
| Conductor: | 0,75mm ² max. |
| Cable Diameter: | 4-6mm |
| Cable Gland: | PG7 |
| Code: | B |

Electrical Specification

| | |
|--|------------------|
| Standard: | IEC 60947-5-2 |
| Operating Temperature | .-25°C ~ +90°C |
| Poles: | 3 contacts |
| Rated Current: | 4A |
| Nominal Voltage: | 250V/AC / 300VDC |
| Insulation Resistance: | > 20M Ohm |
| Contact Resistance: | < 5 milli Ohm |
| Degree of Protection: | IP67 |
| Only in Locked position with ist proper counterparts | |

Technical Drawing



Sensor Connector Type M12

EDCON-COMPONENTS

Data Sheet M12 Serie



Sensor Connector Type M12

Ordering Information

| Serie | Contacts | Connector type | Cable Colour | Length of cable | Style side two | |
|---------------|---------------|----------------|--|-----------------------------------|---|--|
| T61090 | 3 | M | BK | xxxxx | C | |
| | 3= 3 contacts | M= Male | BK = Black (Standard) other colors on request | 00100 = 100mm 01000 = 1,0Meter | C= Cut Type A= 100mm open end 5mm tinned ends | |