

# EDCON-COMPONENTS

## Data Sheet M12 Serie



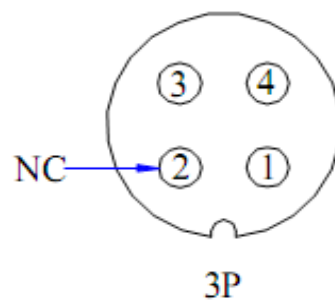
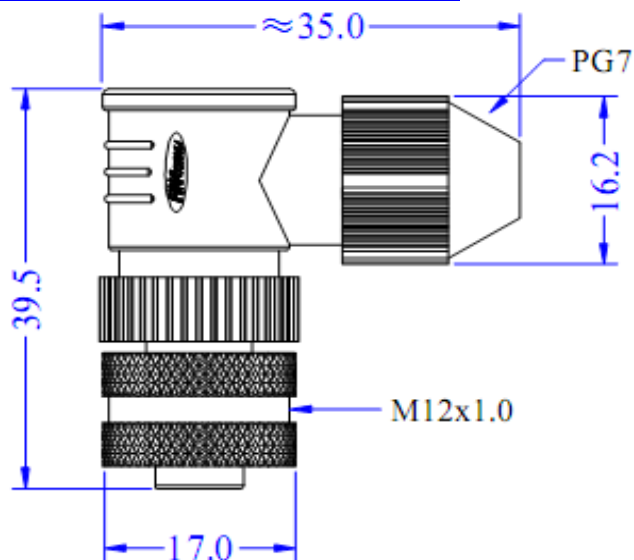
### Technical Specification

Connector Type	Sensor ( M-Serie)
Connector Spec.	M12 Sensor Connector
Number of contacts	3 contacts
Connector Body	Metall / Plastic
Contact Type	Female Type
Assembly Style	Cable Style
Insert:	PA + GF
Contact Mat.:	Brass w. Gold Plating
Screw/Nut:	Brass w. Nickel Plating
O-Ring:	FKM
Body:	PA + Glass filber
Color:	Black
Conductor:	0,75mm <sup>2</sup> max.
Cable Diameter:	4-6mm
Cable Gland:	PG7
Code:	A

### Electrical Specification

Standard:	IEC 60947-5-2
Operating Temperature	.-25°C ~ +90°C
Poles:	3 contacts
Rated Current:	4A
Nominal Voltage:	250V/AC / 300VDC
Insulation Resistance:	> 20M Ohm
Contact Resistance:	< 5 milli Ohm
Degree of Protection:	IP67
Only in Locked position with ist proper counterparts	

### Technical Drawing



Sensor Connector Type M12

# EDCON-COMPONENTS

## Data Sheet M12 Serie



Sensor Connector Type M12

### Ordering Information

Serie	Contacts	Connector type	Cable Colour	Length of cable	Style side two	
<b>T61072</b>	<b>3</b>	<b>F</b>	<b>BK</b>	<b>xxxxx</b>	<b>C</b>	
	3= 3 contacts	F= Female	<b>BK</b> = Black (Standard) other colors on request	<b>00100</b> = 100mm <b>01000</b> = 1,0Meter	<b>C</b> = Cut Type <b>A</b> = 100mm open end 5mm tinned ends	