

# EDCON-COMPONENTS

## Data Sheet M12 Serie



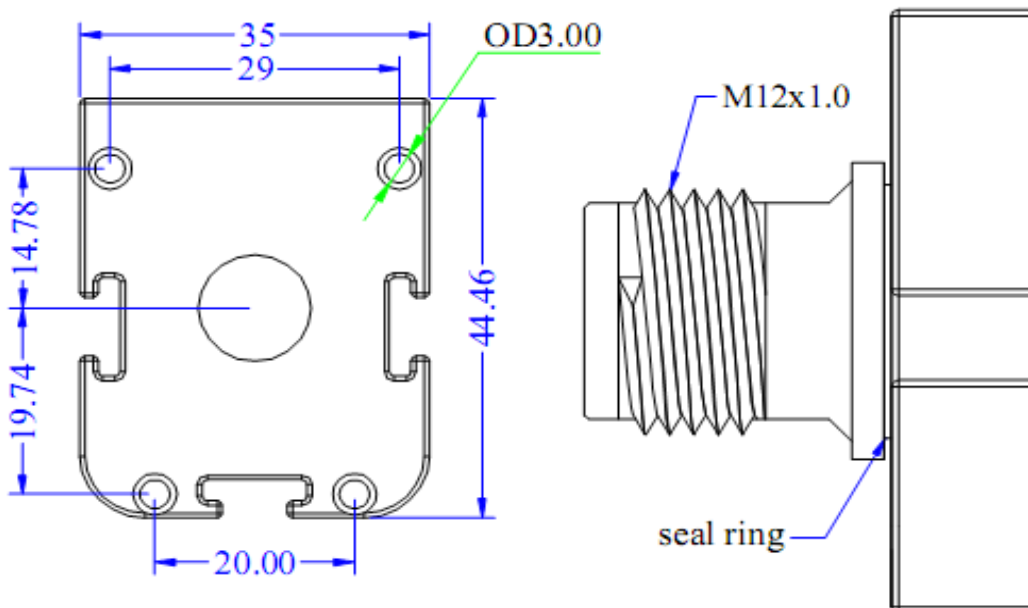
### Technical Specification

Connector Type	Sensor ( M-Serie)
Connector Spec.	M12 Sensor Connector
Number of contacts	4 contacts
Shielding:	No
Connector Body	Metall / Plastic
Contact Type	Male Type
Assembly Style	Molded Style
Insert:	PA + GF
Contact Mat.:	Brass w. Gold Plating
Scre Nut:	Brass w. Nickel Plated
O-Ring:	FKM
Overmold:	TPU
Cable Type:	PVC Cable
Conductor:	0,5mm <sup>2</sup> max.
Wire Isolation:	PVC
Wire Color:	All Black to connector
Jacket:	PVC
Jacket Color:	Black ( other colors option
Cable length:	Max. 100mm
Code:	A

### Electrical Specification

Standard:	IEC 60947-5-2
Operating Temperature	.-25°C ~ +90°C
Poles:	4 contacts
Rated Current:	4A
Nominal Voltage:	250V/AC / 300V/DC
Insulation Resistance:	> 20M Ohm
Contact Resistance:	< 5 milli Ohm
Degree of Protection:	IP67
Only in locked position with ist proper counterparts	

### Technical Drawing



Sensor Connector Type M12

# EDCON-COMPONENTS

## Data Sheet M12 Serie



### Technical Drawing



### Ordering Information

Serie	Contacts	Connector type	Cable Colour	Length of cable		
<b>T61060</b>	<b>4</b>	<b>M</b>	<b>BK</b>	<b>xxxxx</b>		
	4= 4 contacts	M= Male	BK = Black (Standard) other colors on request	00100 = 100mm 01000 = 1,0Meter		

Sensor Connector Type M12